



21-22

CATALOGUE



R1 TASK SEATING

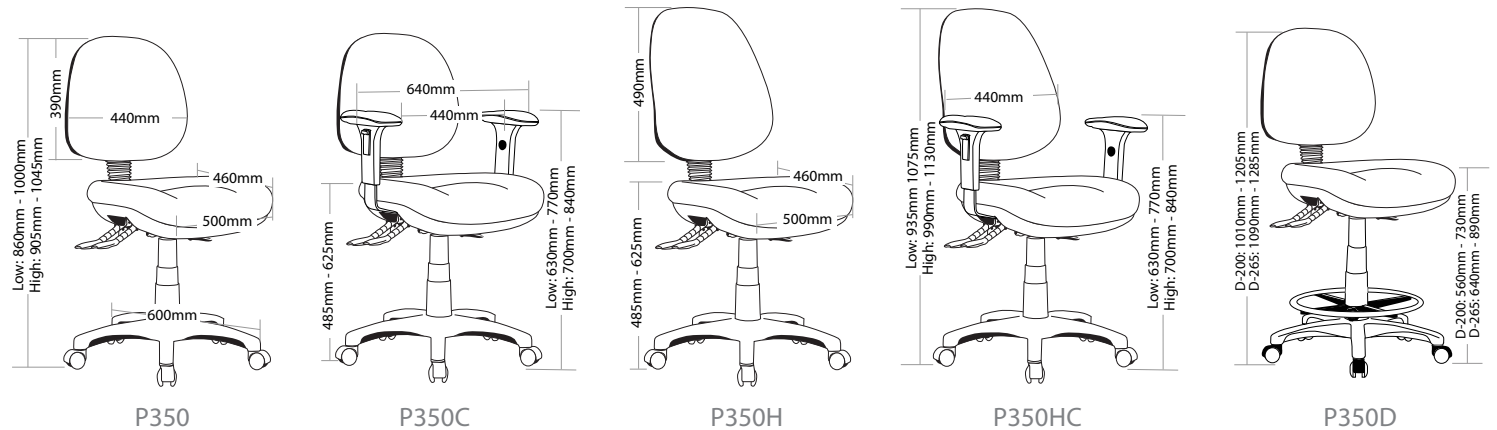
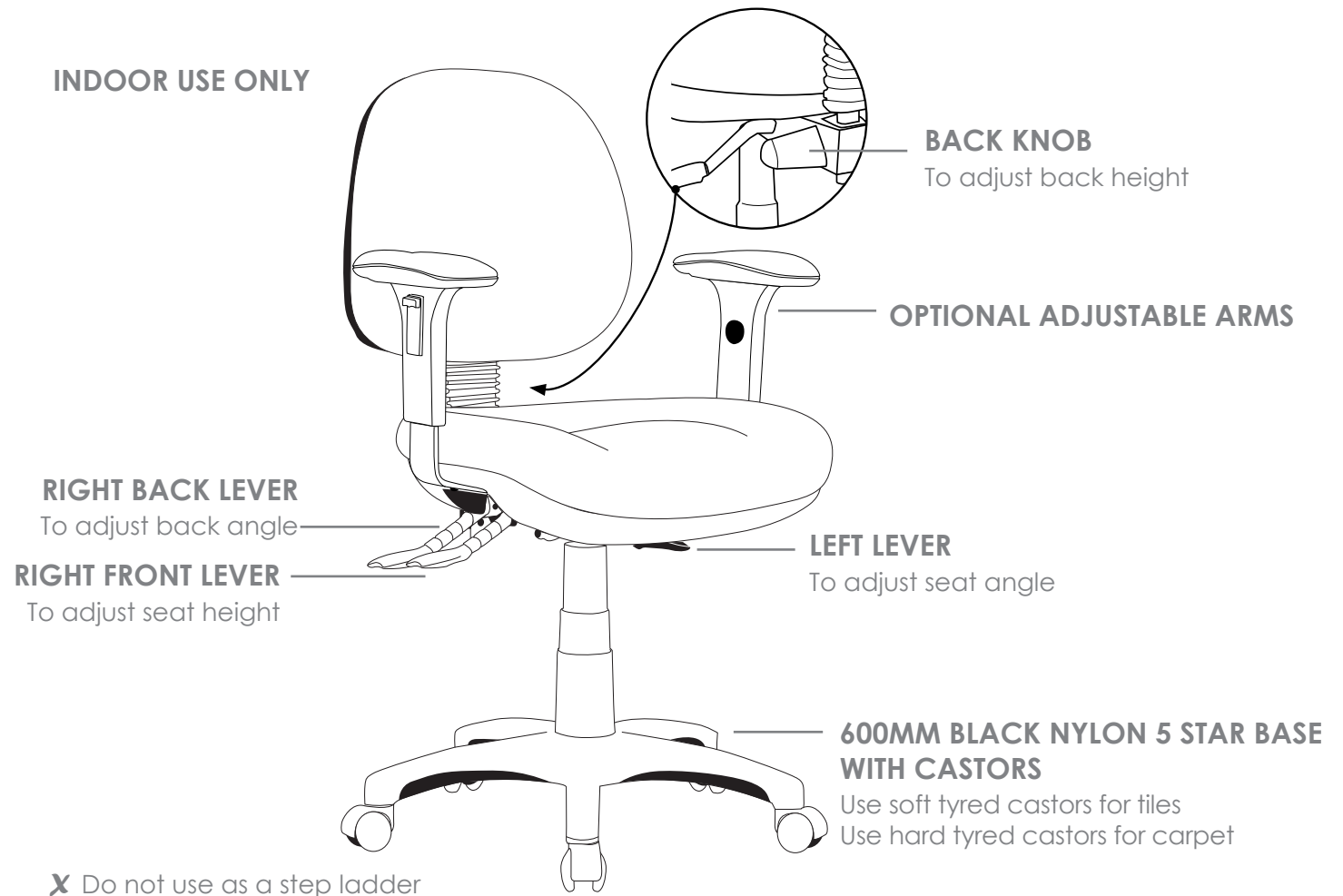
PRESTIGE



FEATURES

- » Adjustable seat height
- » Adjustable back height
- » Adjustable seat angle (with 3 lever mechanism only)
- » Adjustable back angle
- » Optional adjustable arms
- » Optional seat depth (seat slider) (not available on drafting chair)
- » Optional drafting kit
- » Optional 2 or 3 lever mechanism
- » Available in high and low back
- » Moulded seat and back foam
- » 600mm black nylon base
- » Available in local fabrics
- » AFRDI tested to level 6
- » Suitable for indoor use only
- » 7 year warranty
- » Weight limit is 130kg

INDOOR USE ONLY



PRESTIGE TASK SEATING



P350



P350C



P350H



P350HC



P350D

R1 TASK SEATING

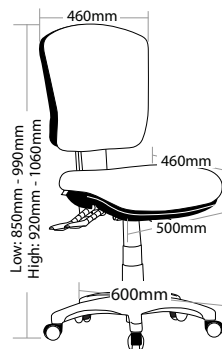
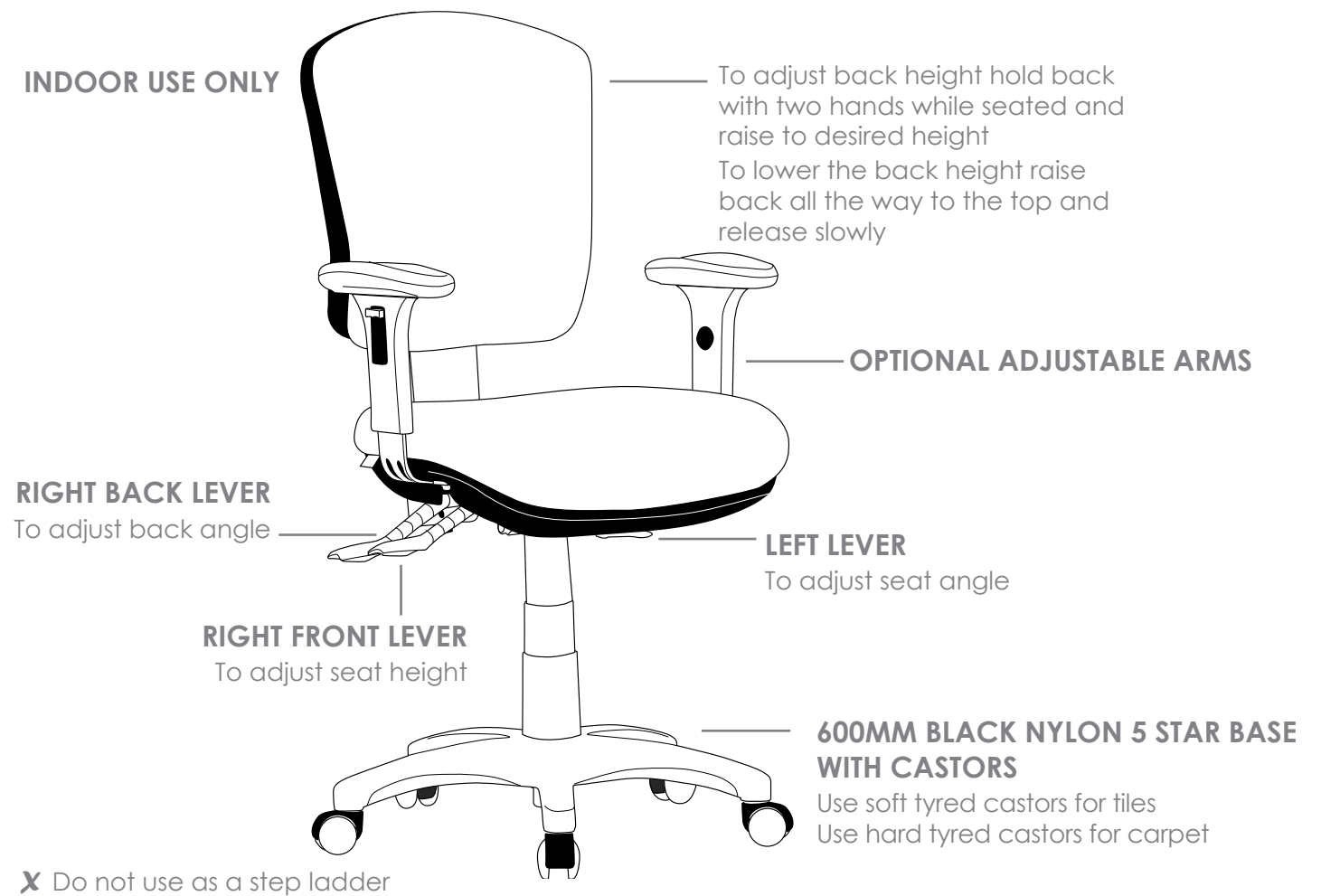
ORIEL



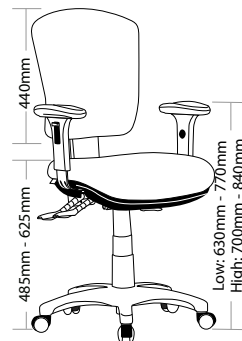
FEATURES

- » Adjustable seat height
- » Adjustable back height (ratchet)
- » Adjustable seat angle (with 3 lever mechanism only)
- » Adjustable back angle
- » Optional adjustable arms
- » Optional seat depth (seat slider) (not available on drafting chair)
- » Optional drafting kit
- » Optional 2 or 3 lever mechanism
- » Available in high and low back
- » Moulded seat and back foam
- » 600mm black nylon base
- » Available in local fabrics
- » AFRDI tested to level 6
- » Suitable for indoor use only
- » 7 year warranty
- » Weight limit is 130kg

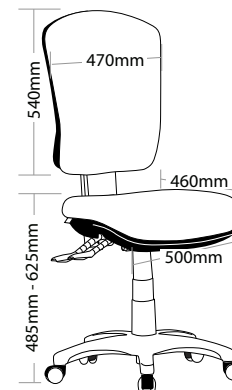
INDOOR USE ONLY



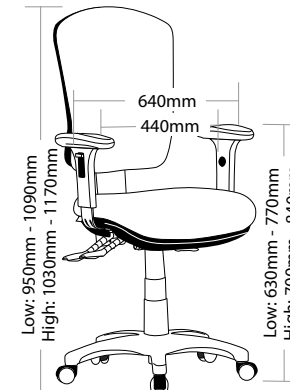
OR350



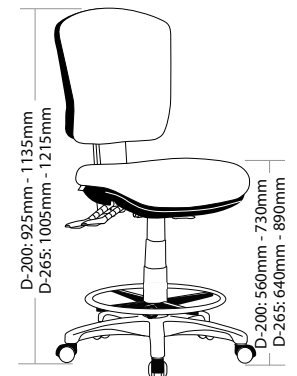
OR350C



OR350H



OR350HC



OR350D

ORIEL TASK SEATING



OR350



OR350C



OR350H



OR350HC



OR350D

R1 TASK SEATING

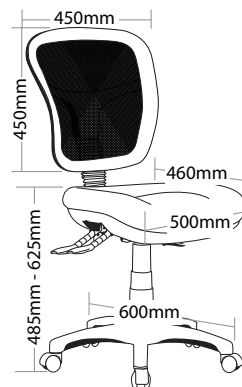
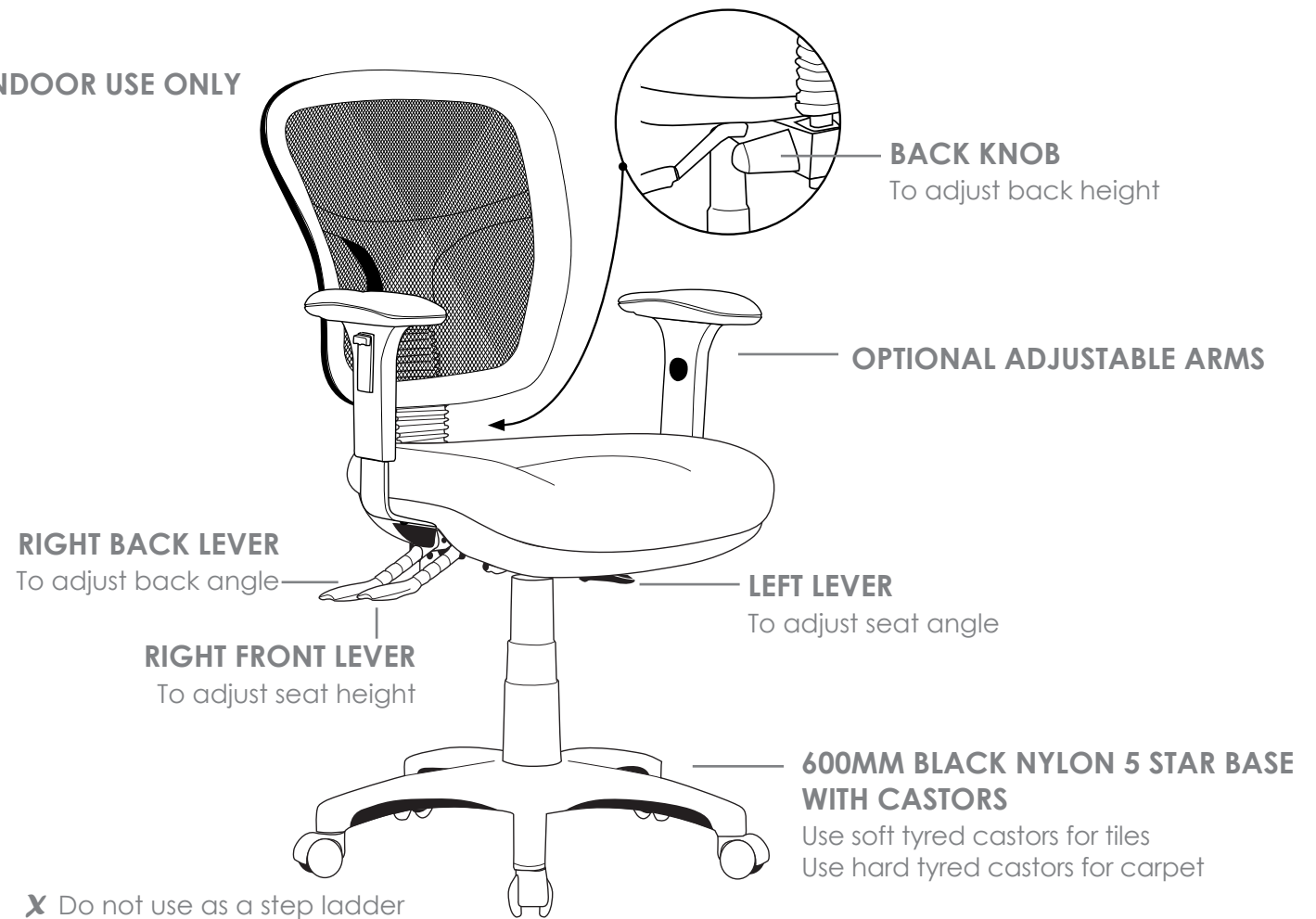
ECOTECH MESH



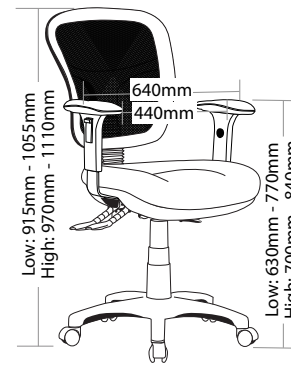
FEATURES

- » Adjustable seat height
- » Adjustable back height
- » Adjustable seat angle (with 3 lever mechanism only)
- » Adjustable back angle
- » Optional adjustable arms
- » Optional seat depth (seat slider) (not available on drafting chair)
- » Optional drafting kit
- » Optional 2 or 3 lever mechanism
- » Moulded seat foam
- » Mesh back
- » 600mm black nylon base
- » Available in local fabrics
- » Suitable for indoor use only
- » 7 year warranty
- » Weight limit is 130kg

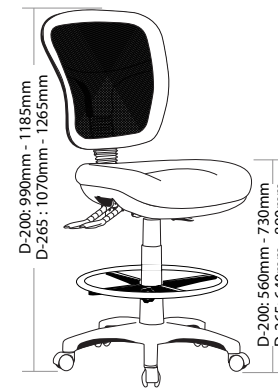
INDOOR USE ONLY



ME350



ME350C



ME350D

ECOTECH MESH TASK SEATING



ME350



ME350C



ME350D

R1 TASK SEATING

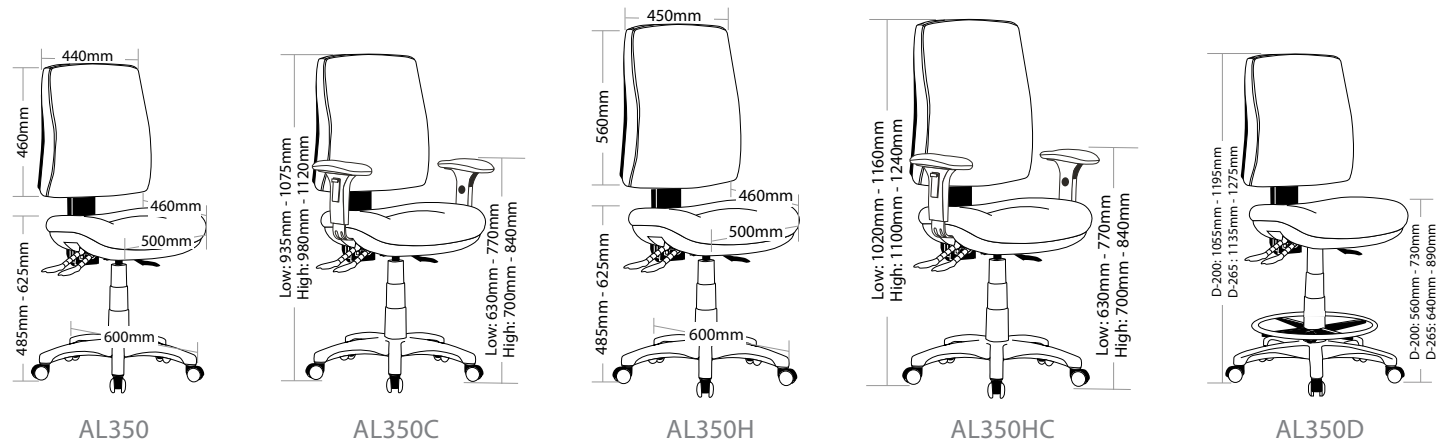
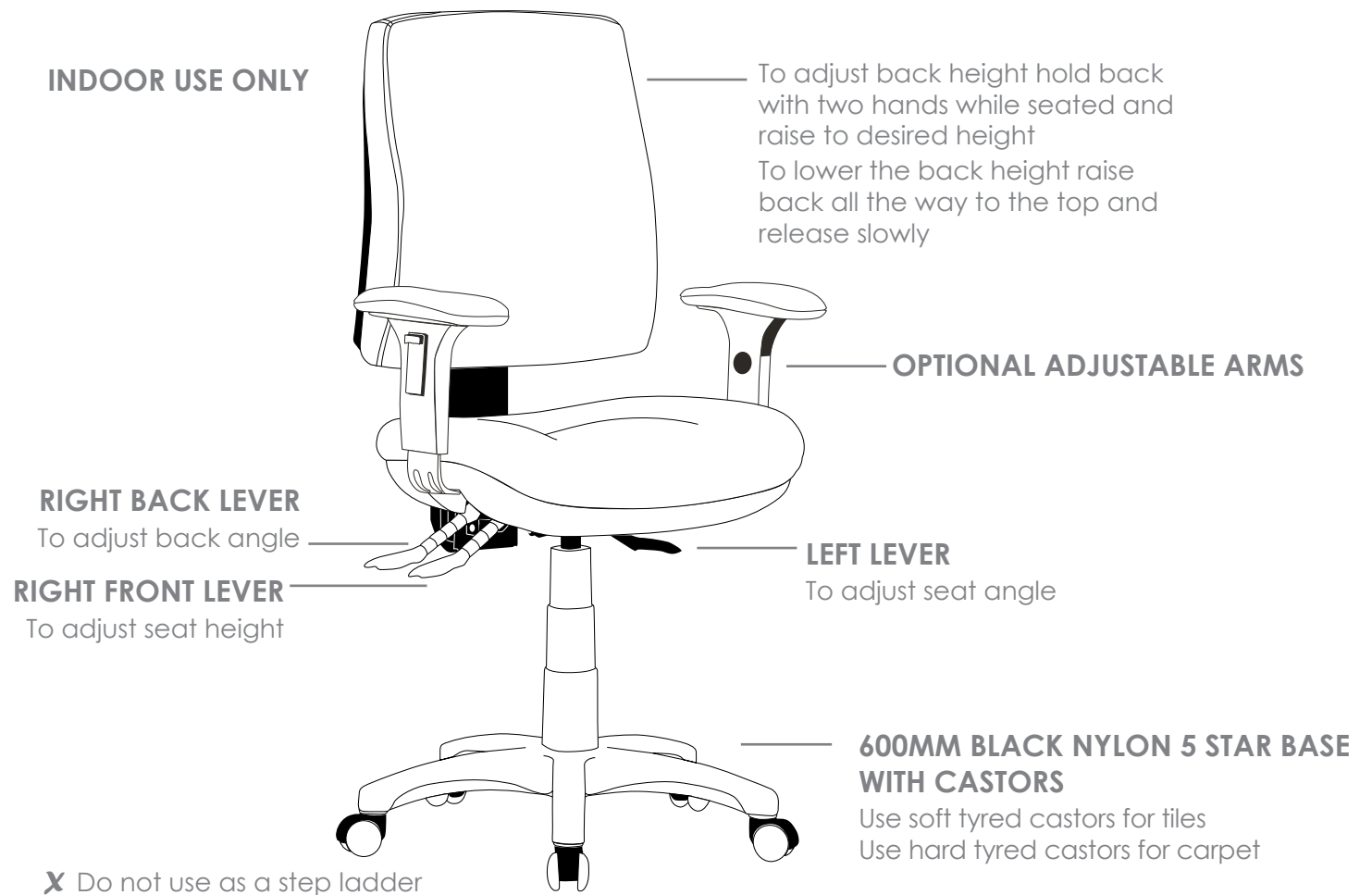
ALPHA



FEATURES

- » Adjustable seat height
- » Adjustable back height (ratchet)
- » Adjustable seat angle (with 3 lever mechanism only)
- » Adjustable back angle
- » Optional adjustable arms
- » Optional seat depth (seat slider) (not available on drafting chair)
- » Optional drafting kit
- » Optional 2 or 3 lever mechanism
- » Available in high and low back
- » Moulded seat and back foam
- » 600mm black nylon base
- » Available in local fabrics
- » AFRDI tested to level 6
- » Suitable for indoor use only
- » 7 year warranty
- » Weight limit is 130kg

INDOOR USE ONLY



ALPHA TASK SEATING



AL350



AL350C



AL350H



AL350HC



AL350D

R1 TASK SEATING

VIRGO



FEATURES

- » Adjustable seat height
- » Adjustable back height (ratchet)
- » Adjustable seat angle (with 3 lever mechanism only)
- » Adjustable back angle
- » Optional adjustable arms
- » Optional seat depth (seat slider) (not available on drafting chair)
- » Optional drafting kit
- » Optional 2 or 3 lever mechanism
- » Available in high and low back
- » Moulded seat and back foam
- » Square seat
- » 660mm black nylon base
- » Available in local fabrics
- » AFRDI tested to level 6
- » Suitable for indoor use only
- » 7 year warranty
- » Weight limit is 130kg

INDOOR USE ONLY

RIGHT BACK LEVER

To adjust back angle

RIGHT FRONT LEVER

To adjust seat height

To adjust back height hold back with two hands while seated and raise to desired height

To lower the back height raise back all the way to the top and release slowly

OPTIONAL ADJUSTABLE ARMS

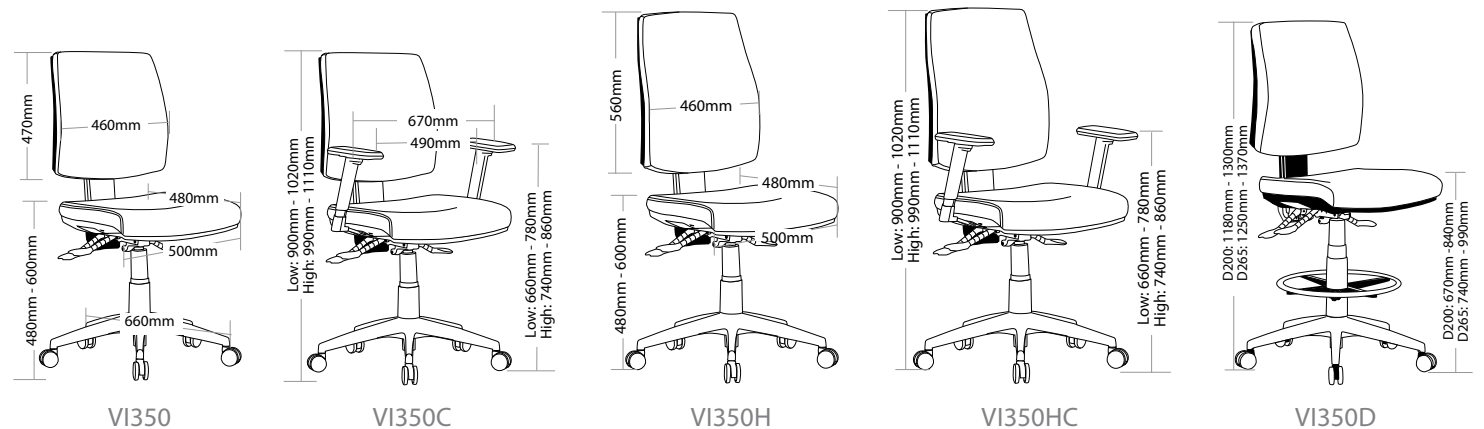
LEFT LEVER

To adjust seat angle

660MM BLACK NYLON 5 STAR BASE WITH CASTORS

Use soft tyred castors for tiles
Use hard tyred castors for carpet

Do not use as a step ladder



VIRGO TASK SEATING



VI350



VI350C



VI350H



VI350HC



VI350D

R1 TASK SEATING

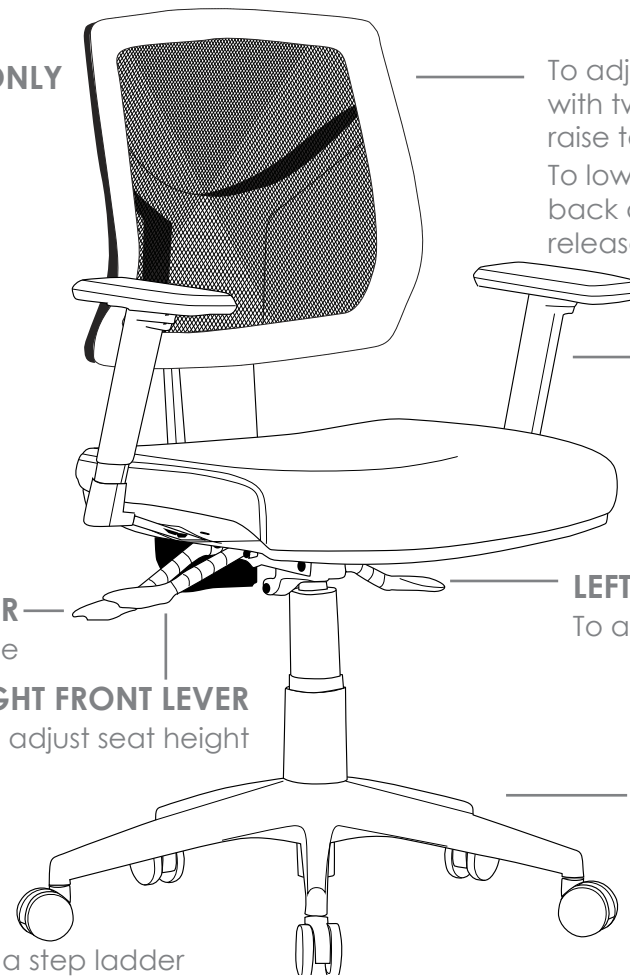
VESTA



FEATURES

- » Adjustable seat height
- » Adjustable back height (ratchet)
- » Adjustable seat angle (with 3 lever mechanism only)
- » Adjustable back angle
- » Optional adjustable arms
- » Optional seat depth (seat slider) (not available on drafting chair)
- » Optional drafting kit
- » Optional 2 or 3 lever mechanism
- » Available in high and low back
- » Moulded seat foam
- » Mesh back
- » Square seat
- » 660mm black nylon base
- » Available in local fabrics
- » Back mesh available in Jazz mesh
- » AFRDI tested to level 6
- » Suitable for indoor use only
- » 7 year warranty
- » Weight limit is 130kg

INDOOR USE ONLY



To adjust back height hold back with two hands while seated and raise to desired height
To lower the back height raise back all the way to the top and release slowly

OPTIONAL ADJUSTABLE ARMS

RIGHT BACK LEVER
To adjust back angle

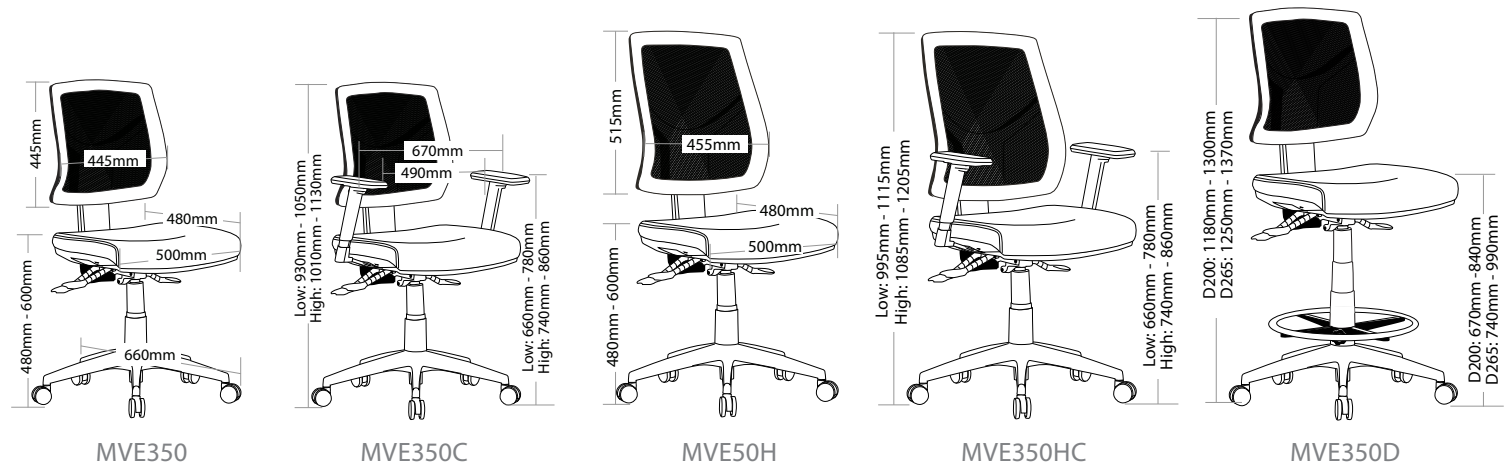
LEFT LEVER
To adjust seat angle

RIGHT FRONT LEVER
To adjust seat height

660MM BLACK NYLON 5 STAR BASE WITH CASTORS

Use soft tyred castors for tiles
Use hard tyred castors for carpet

X Do not use as a step ladder



VESTA TASK SEATING



MVE350



MVE350C



MVE350H



MVE350HC



MVE350D

R1 TASK SEATING

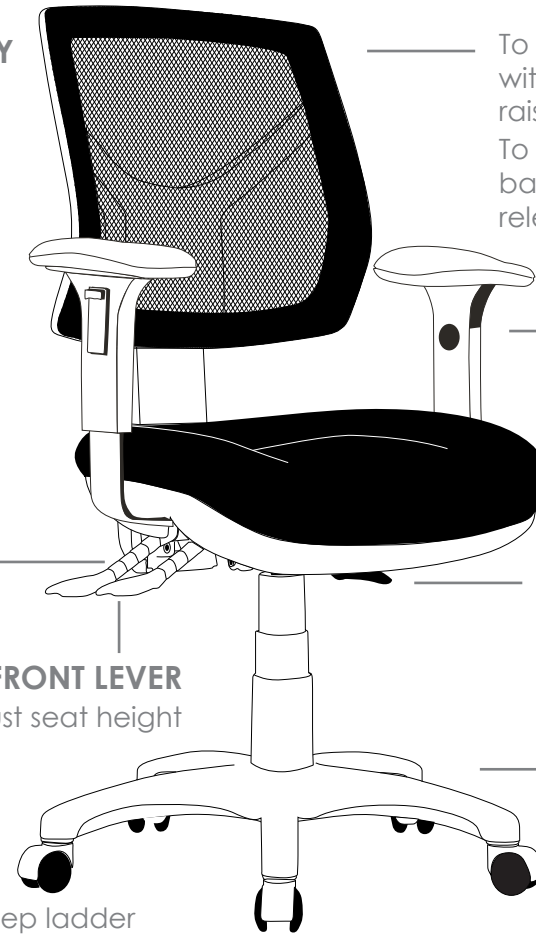
AVOCA



FEATURES

- » Adjustable seat height
- » Adjustable back height (ratchet)
- » Adjustable seat angle (with 3 lever mechanism only)
- » Adjustable back angle
- » Optional adjustable arms
- » Optional seat depth (seat slider) (not available on drafting chair)
- » Optional drafting kit
- » Optional 2 or 3 lever mechanism
- » Available in high and low back
- » Moulded seat foam
- » Mesh back
- » 600mm black nylon base
- » Available in local fabrics
- » Back mesh available in Jazz mesh
- » AFRDI tested to level 6
- » Suitable for indoor use only
- » 7 year warranty
- » Weight limit is 130kg

INDOOR USE ONLY



To adjust back height hold back with two hands while seated and raise to desired height
To lower the back height raise back all the way to the top and release slowly

OPTIONAL ADJUSTABLE ARMS

RIGHT BACK LEVER
To adjust back angle

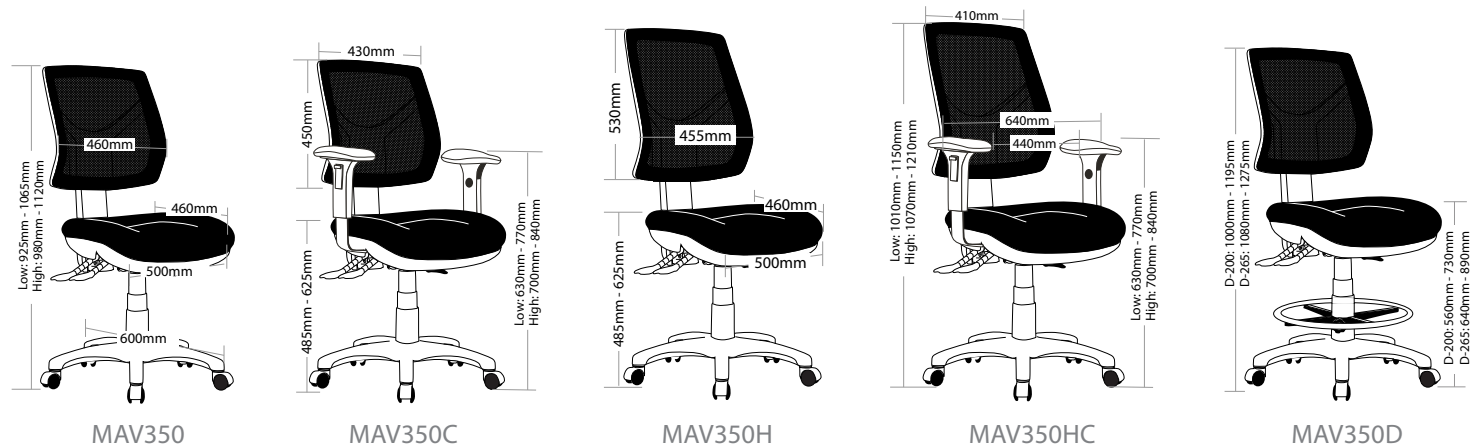
LEFT LEVER
To adjust seat angle

RIGHT FRONT LEVER
To adjust seat height

600MM BLACK NYLON 5 STAR BASE WITH CASTORS

Use soft tyred castors for tiles
Use hard tyred castors for carpet

Do not use as a step ladder



AVOCA TASK SEATING



MAV350



MAV350C



MAV350H



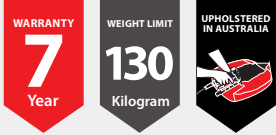
MAV350HC



MAV350D

R1 TASK SEATING

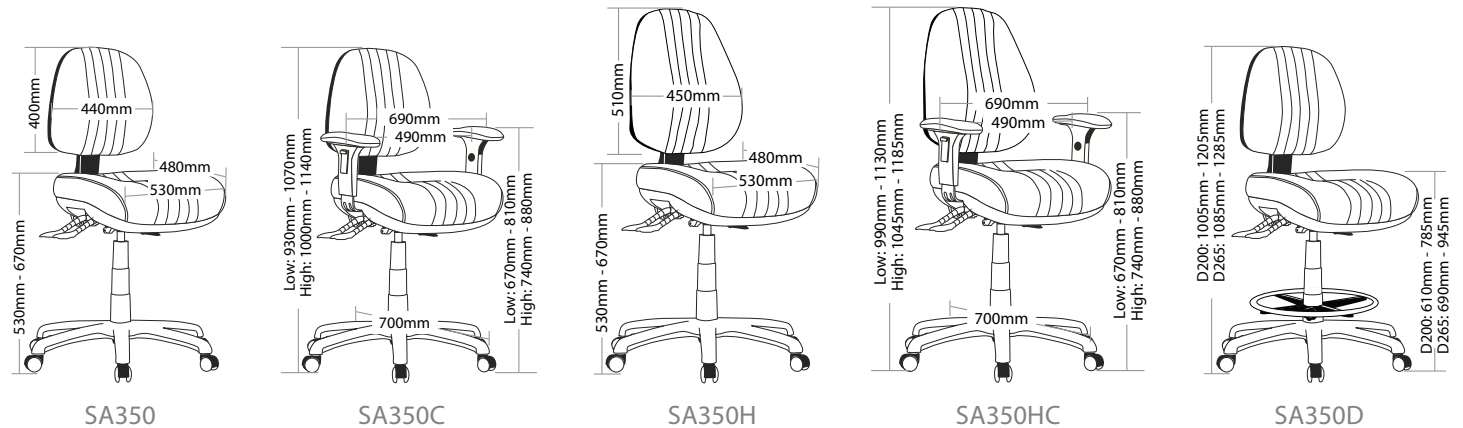
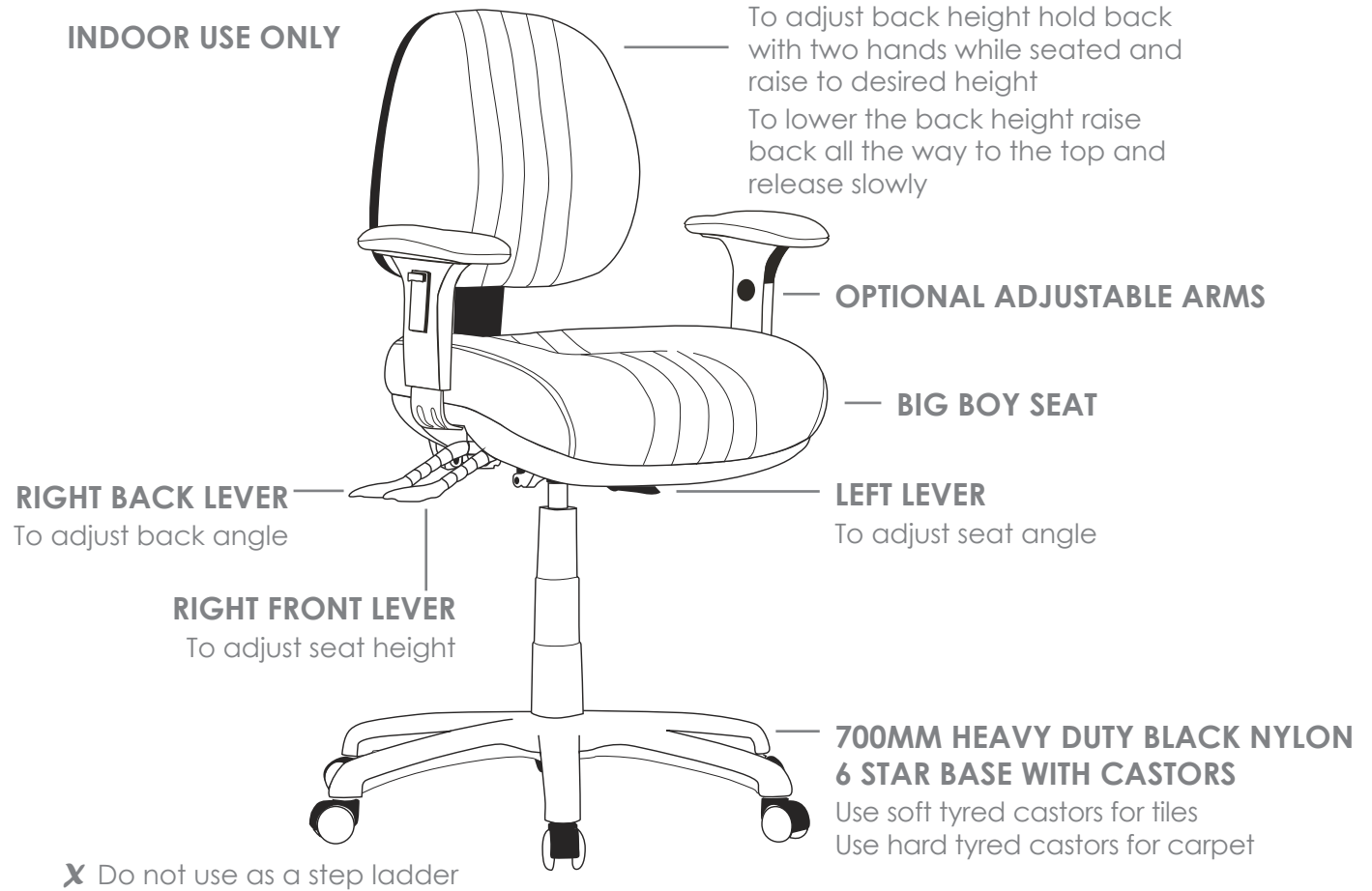
SAFARI



FEATURES

- » Adjustable seat height
- » Adjustable back height (ratchet)
- » Adjustable seat angle (with 3 lever mechanism only)
- » Adjustable back angle
- » Optional adjustable arms
- » Optional seat depth (seat slider) (not available on drafting chair)
- » Optional drafting kit
- » Optional 2 or 3 lever mechanism
- » Available in high and low back
- » Moulded seat and back foam
- » Big boy seat
- » Firm kidney and lumbar support
- » 700mm heavy duty 6 star black nylon base
- » Available in local fabrics
- » Suitable for indoor use only
- » 7 year warranty
- » Weight limit is 130kg

INDOOR USE ONLY



SAFARI TASK SEATING



SA350

SA350C

SA350H

SA350HC

SA350D

R1 TASK SEATING

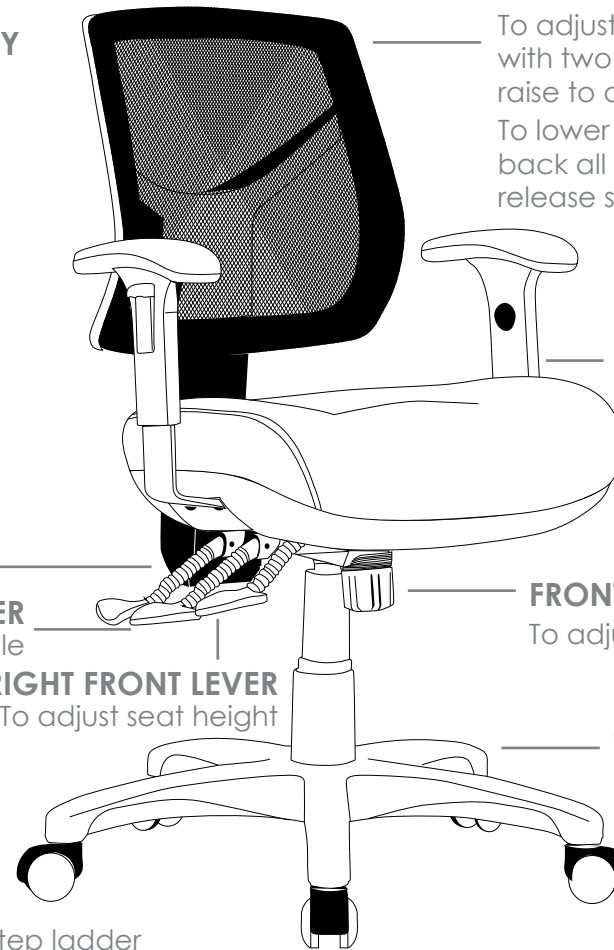
CHELSEA



FEATURES

- » Adjustable seat height
- » Adjustable back height (ratchet)
- » Adjustable back and seat angle
- » Adjustable weight tension
- » Optional adjustable arms
- » Optional seat depth (seat slider) (not available on drafting chair)
- » Optional drafting kit
- » Available in high and low back
- » Moulded seat foam
- » Mesh back
- » Big boy seat
- » 3 lever ergonomic heavy duty mechanism
- » 700mm black nylon base
- » Available in local fabrics
- » Back mesh available in Jazz mesh
- » AFRDI tested to level 6
- » Suitable for indoor use only
- » 7 year warranty
- » Weight limit is 140kg

INDOOR USE ONLY



To adjust back height hold back with two hands while seated and raise to desired height
To lower the back height raise back all the way to the top and release slowly

OPTIONAL ADJUSTABLE ARMS

RIGHT BACK LEVER

To adjust back angle

RIGHT MIDDLE LEVER

To adjust seat angle

RIGHT FRONT LEVER

To adjust seat height

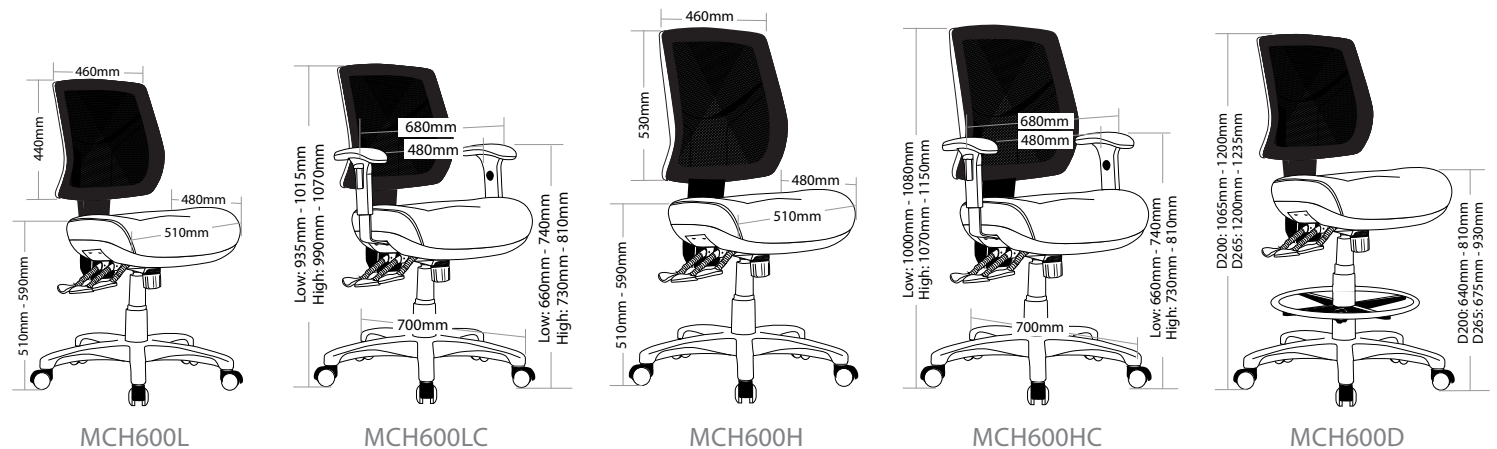
FRONT KNOB

To adjust weight tension

700MM BLACK NYLON 5 STAR BASE WITH CASTORS

Use soft tyred castors for tiles
Use hard tyred castors for carpet

Do not use as a step ladder



CHELSEA TASK SEATING



MCH600L



MCH600LC



MCH600H



MCH600HC



MCH600D

R1 TASK SEATING

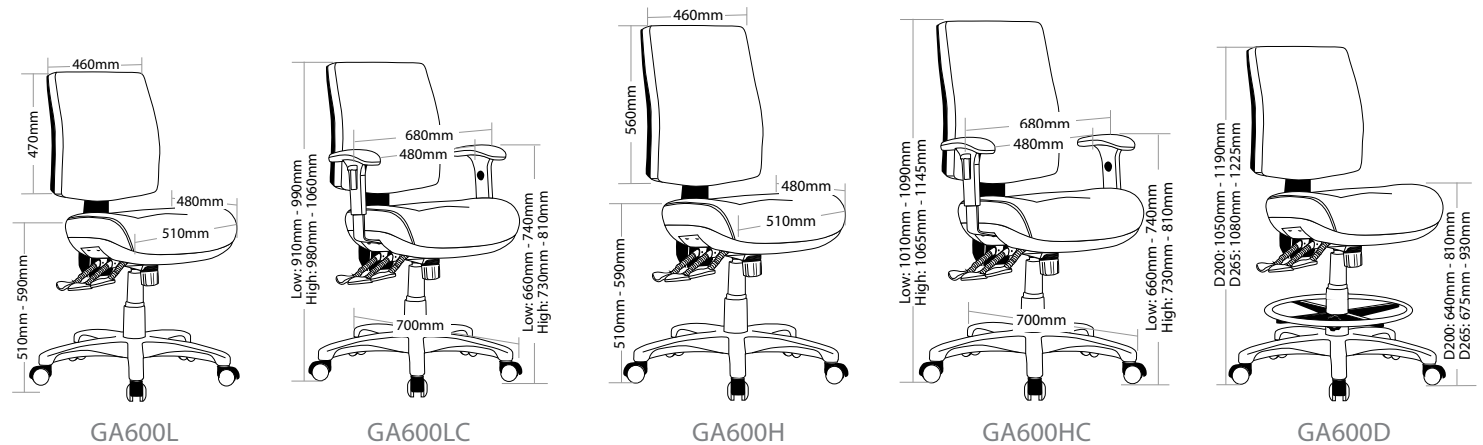
GALAXY



FEATURES

- » Adjustable seat height
- » Adjustable back height (ratchet)
- » Adjustable back and seat angle
- » Adjustable weight tension
- » Optional adjustable arms
- » Optional seat depth (seat slider) (not available on drafting chair)
- » Optional drafting kit
- » Available in high and low back
- » Moulded seat and back foam
- » Big boy seat
- » 3 lever ergonomic heavy duty mechanism
- » 700mm black nylon base
- » Available in local fabrics
- » AFRDI tested to level 6
- » Suitable for indoor use only
- » 7 year warranty
- » Weight limit is 140kg

INDOOR USE ONLY



GALAXY TASK SEATING



GA600L



GA600LC



GA600H



GA600HC



GA600D

R1 TASK SEATING

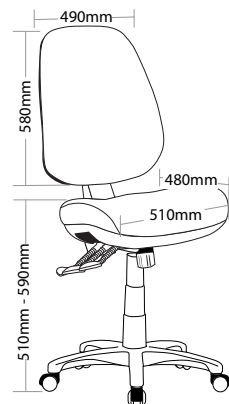
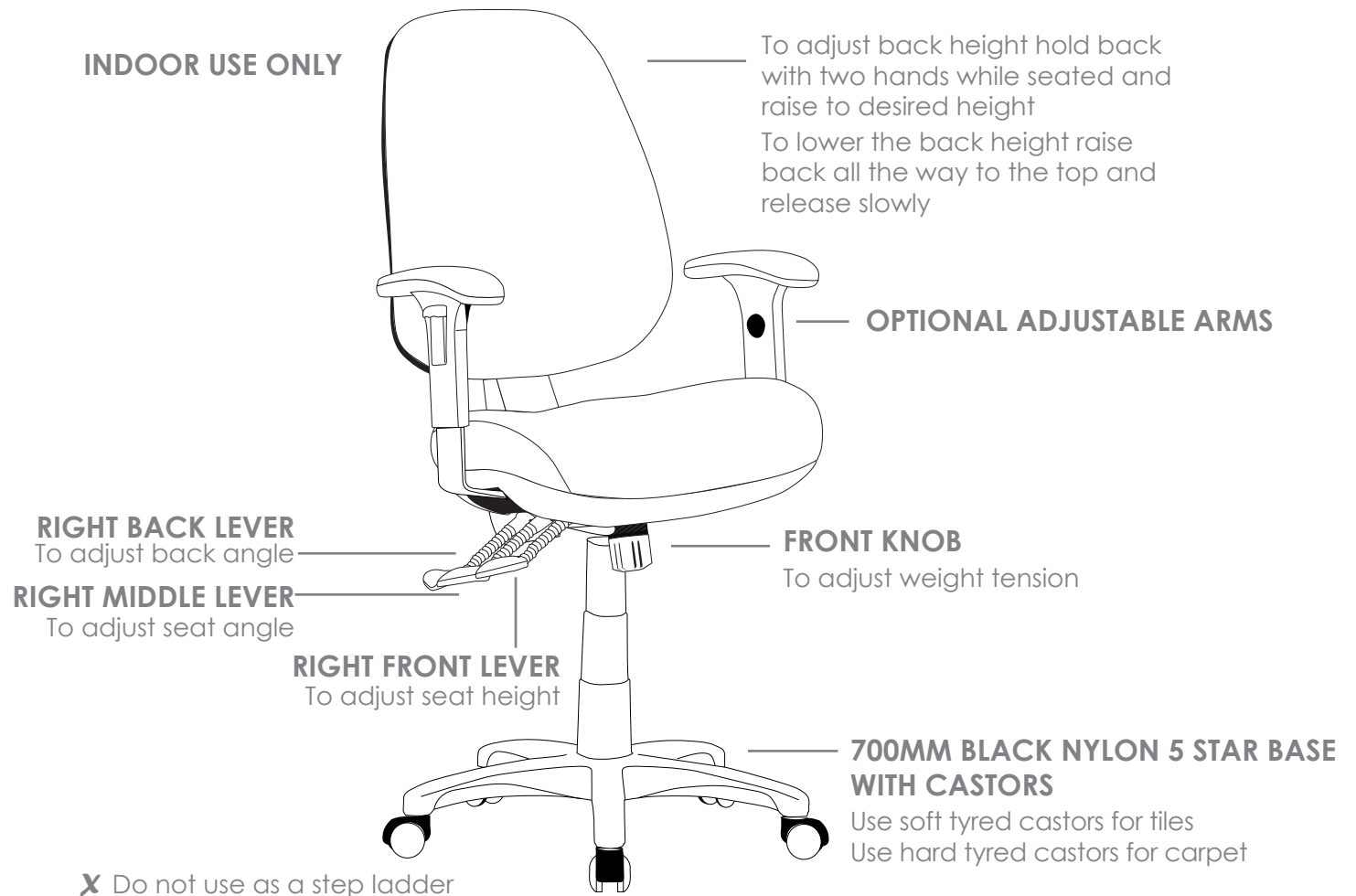
PROFILE



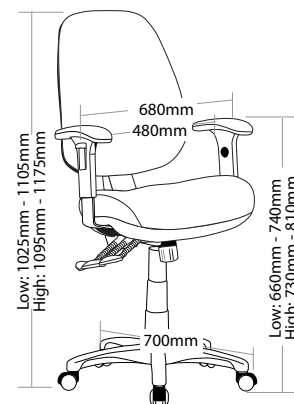
FEATURES

- » Adjustable seat height
- » Adjustable back height (ratchet)
- » Adjustable back and seat angle
- » Adjustable weight tension
- » Optional adjustable arms
- » Optional seat depth (seat slider) (not available on drafting chair)
- » Optional drafting kit
- » Available in high and low back
- » Moulded seat and back foam
- » Big boy seat
- » 3 lever ergonomic heavy duty mechanism
- » 700mm black nylon base
- » Available in local fabrics
- » AFRDI tested to level 6
- » Suitable for indoor use only
- » 7 year warranty
- » Weight limit is 140kg

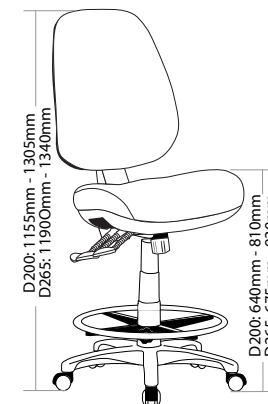
INDOOR USE ONLY



PR600



PR600C



PR600D

PROFILE TASK SEATING



PR600



PR600C



PR600D

R1 TASK SEATING

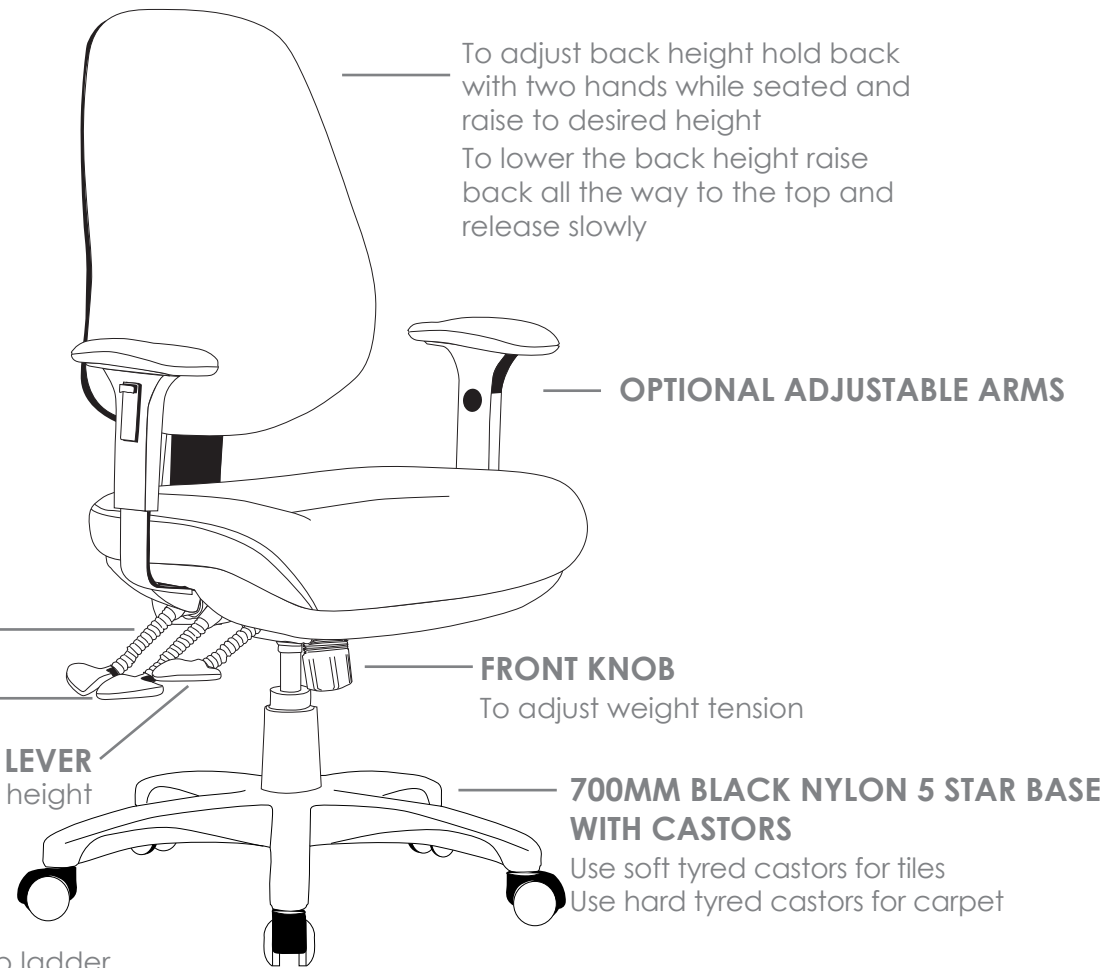
EPIC



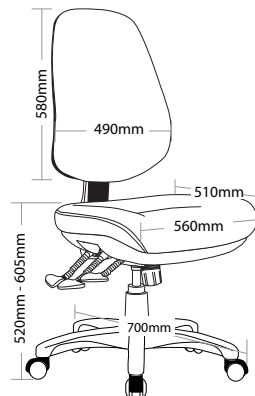
FEATURES

- » Adjustable seat height
- » Adjustable back height (ratchet)
- » Adjustable back and seat angle
- » Adjustable weight tension
- » Optional adjustable arms
- » Moulded seat and back foam
- » Mega big boy seat
- » Not available with drafting and seat slider
- » 3 lever ergonomic heavy duty mechanism
- » 700mm black nylon base
- » Available in local fabrics
- » AFRDI tested to level 6
- » Suitable for indoor use only
- » 7 year warranty
- » Weight limit is 140kg

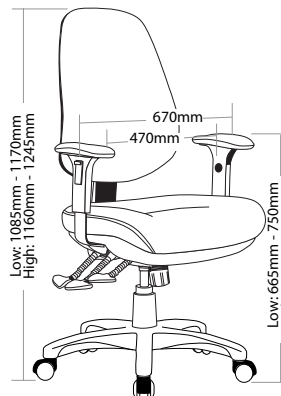
INDOOR USE ONLY



X Do not use as a step ladder



EPIC



EPIC-C

EPIC TASK SEATING



EPIC



EPIC-C



BACK VIEW

R1 TASK SEATING

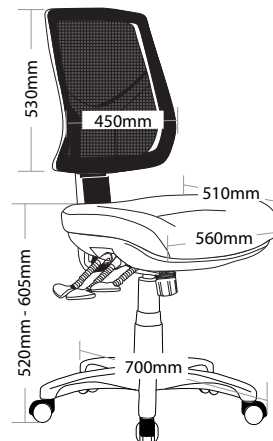
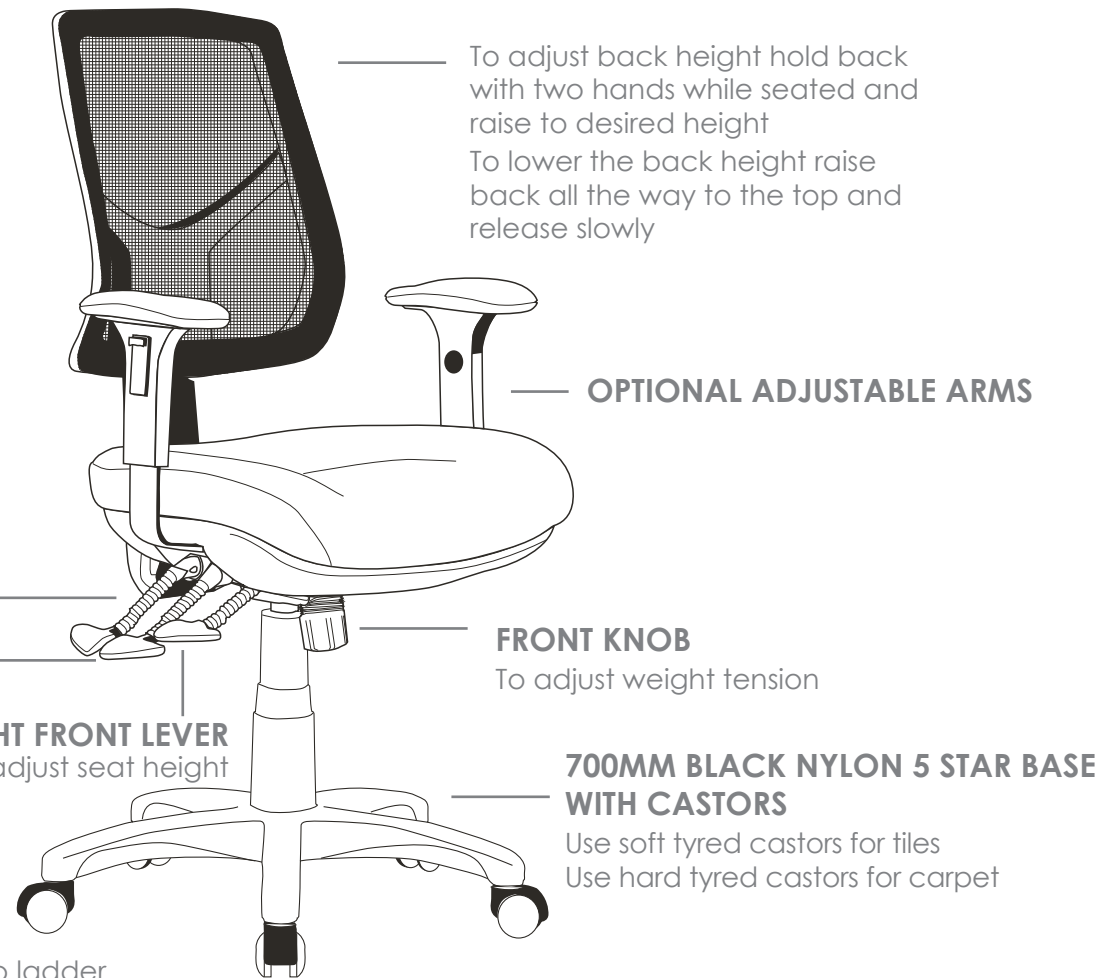
MEGA



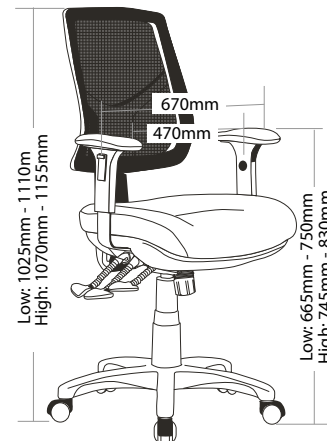
FEATURES

- » Adjustable seat height
- » Adjustable back height (ratchet)
- » Adjustable back and seat angle
- » Adjustable weight tension
- » Optional adjustable arms
- » Moulded seat foam
- » Mega big boy seat
- » Mesh back
- » Not available with drafting and seat slider
- » 3 lever ergonomic heavy duty mechanism
- » 700mm black nylon base
- » Available in local fabrics
- » Back mesh available in Jazz mesh
- » AFRDI tested to level 6
- » Suitable for indoor use only
- » 7 year warranty
- » Weight limit is 140kg

INDOOR USE ONLY



MEGA



MEGA-C

MEGA TASK SEATING



MEGA



MEGA-C



BACK VIEW

R1 TASK SEATING

SPIRAL



FEATURES

- » Adjustable seat height
- » Adjustable back height (ratchet)
- » Adjustable back and seat angle
- » Adjustable weight tension
- » Optional adjustable arms
- » Moulded seat and back foam
- » Mega big boy seat
- » Not available with drafting and seat slider
- » 3 lever ergonomic heavy duty mechanism
- » 700mm black nylon base
- » Available in local fabrics
- » AFRDI tested to level 6
- » Suitable for indoor use only
- » 7 year warranty
- » Weight limit is 140kg

INDOOR USE ONLY

RIGHT BACK LEVER

To adjust back angle

RIGHT MIDDLE LEVER

To adjust seat angle

RIGHT FRONT LEVER

To adjust seat height

To adjust back height hold back with two hands while seated and raise to desired height

To lower the back height raise back all the way to the top and release slowly

OPTIONAL ADJUSTABLE ARMS

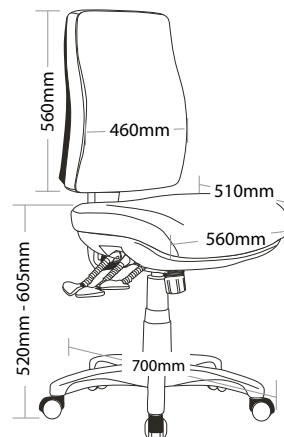
FRONT KNOB

To adjust weight tension

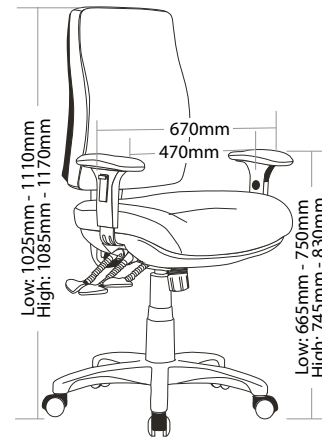
700MM BLACK NYLON 5 STAR BASE WITH CASTORS

Use soft tyred castors for tiles
Use hard tyred castors for carpet

X Do not use as a step ladder



SPIRAL



SPIRAL-C

SPIRAL TASK SEATING



SPIRAL



SPIRAL-C



BACK VIEW

R1 TASK SEATING

COMFORT



FEATURES

- » Adjustable seat height
- » Adjustable back height (ratchet)
- » Adjustable back and seat angle
- » Adjustable weight tension
- » Optional adjustable arms
- » Moulded seat and back foam
- » Mega big boy seat
- » Not available with drafting and seat slider
- » 3 lever ergonomic heavy duty mechanism
- » 700mm heavy duty 6 star black nylon base with castors
- » Available in local fabrics
- » Suitable for indoor use only
- » 5 year warranty
- » Weight limit is 150kg

INDOOR USE ONLY

RIGHT BACK LEVER

To adjust back angle

RIGHT MIDDLE LEVER

To adjust seat angle

RIGHT FRONT LEVER

To adjust seat height

To adjust back height hold back with two hands while seated and raise to desired height

To lower the back height raise back all the way to the top and release slowly

OPTIONAL ADJUSTABLE ARMS

FRONT KNOB

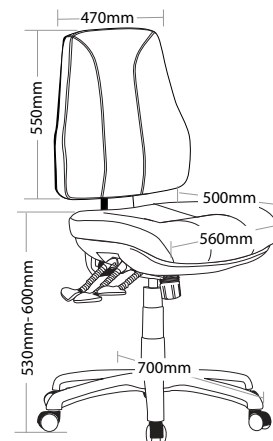
To adjust weight tension

700MM HEAVY DUTY BLACK NYLON 6 STAR BASE WITH CASTORS

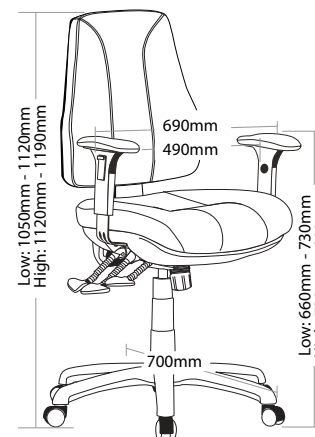
Use soft tyred castors for tiles

Use hard tyred castors for carpet

X Do not use as a step ladder



COMFORT



COMFORT-C

COMFORT TASK SEATING



COMFORT



COMFORT-C



BACK VIEW

R1 TASK SEATING

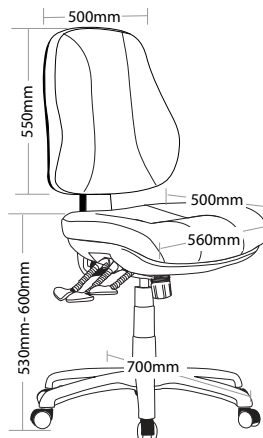
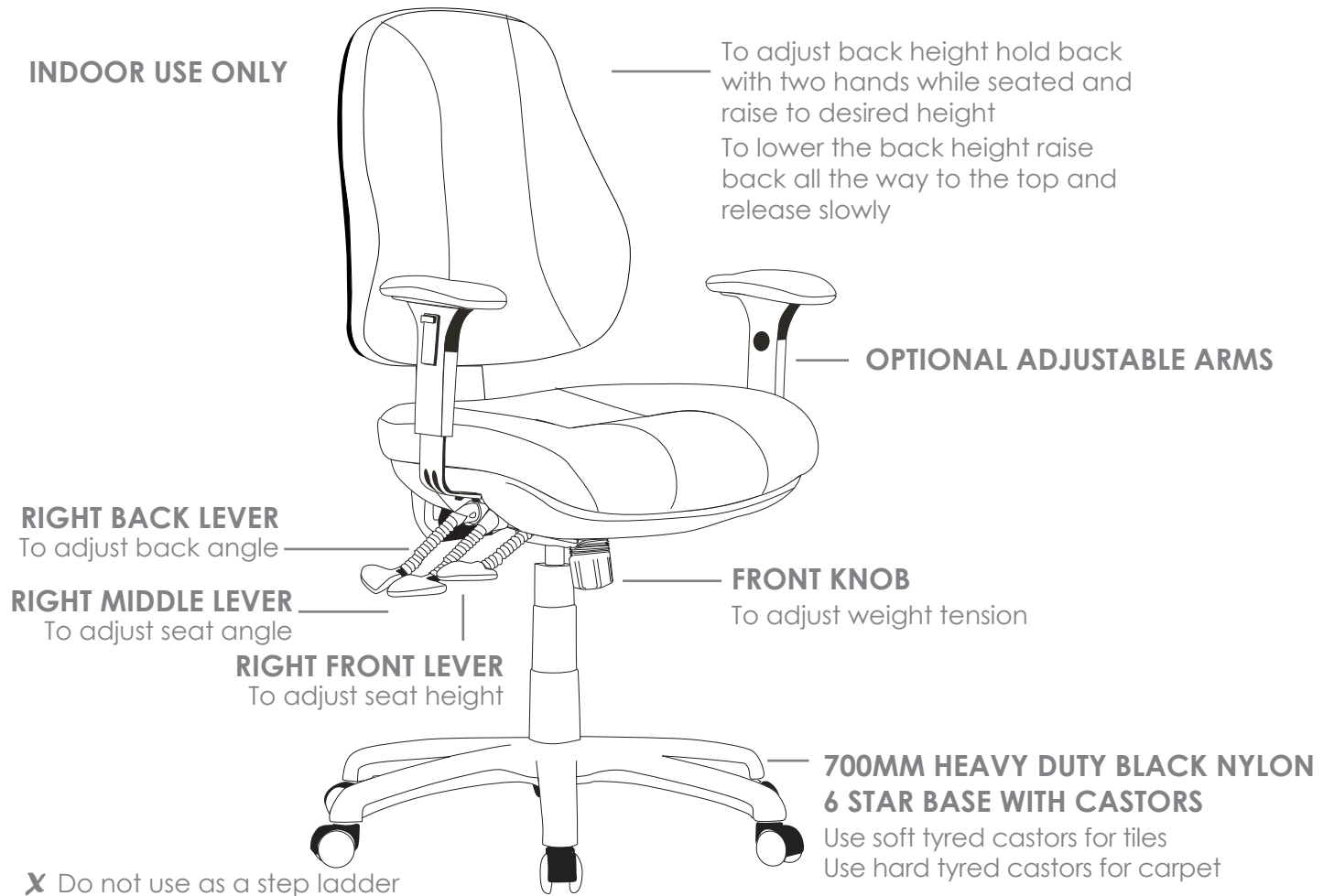
MOLTA



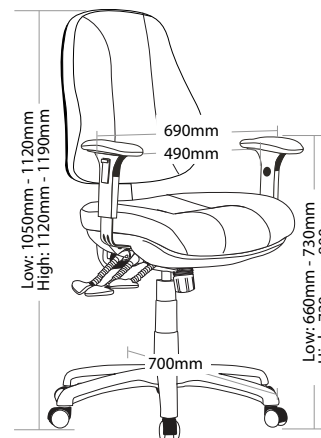
FEATURES

- » Adjustable seat height
- » Adjustable back height (ratchet)
- » Adjustable back and seat angle
- » Adjustable weight tension
- » Optional adjustable arms
- » Moulded seat and back foam
- » Mega big boy seat
- » Not available with drafting and seat slider
- » 3 lever ergonomic heavy duty mechanism
- » 700mm heavy duty black 6 star nylon base
- » Available in local fabrics
- » Suitable for indoor use only
- » 5 year warranty
- » Weight limit is 150kg

INDOOR USE ONLY



MOLTA



MOLTA-C

MOLTA TASK SEATING



MOLTA



MOLTA-C



BACK VIEW

R2 MULTI SHIFT SEATING

ROTARY

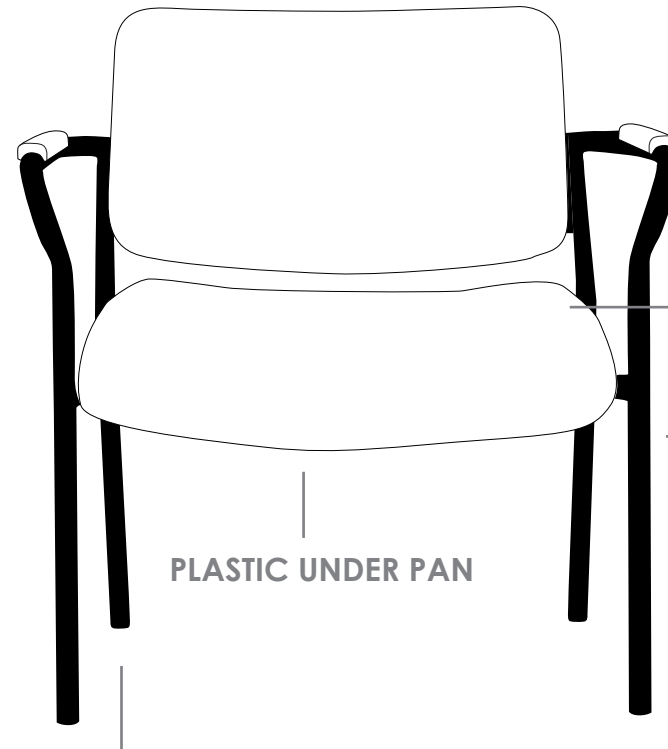


FEATURES

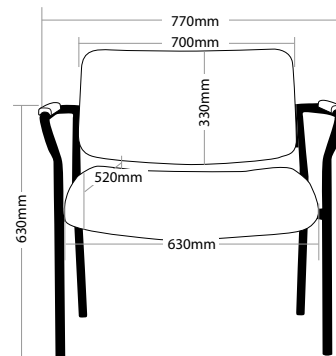
- » Available in 2 seat widths
- » High density foam
- » Plastic under pan
- » Heavy duty black textured metal frame
- » Available in local fabrics
- » Optional frame or base colour (please allow 5 more days)
- » Suitable for indoor use only
- » 7 year warranty
- » Weight limit is 200kg

INDOOR USE ONLY

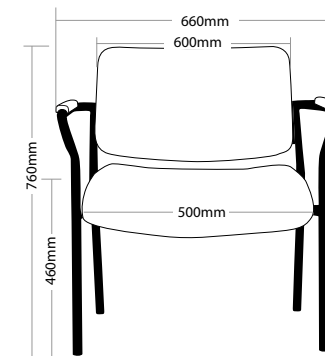
✗ Do not use as a step ladder



Keep a permanent contact between base of chair and floor



ROTARY-700



ROTARY-600

ROTARY MULTI SHIFT SEATING



ROTARY-700



ROTARY-600



SIDE VIEW

R2 MULTI SHIFT SEATING

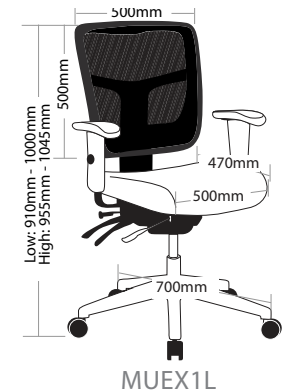
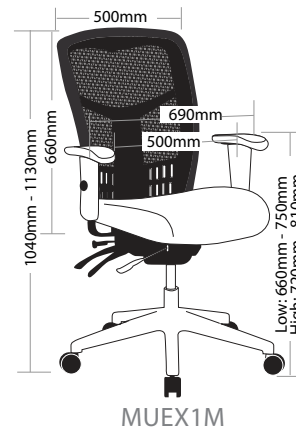
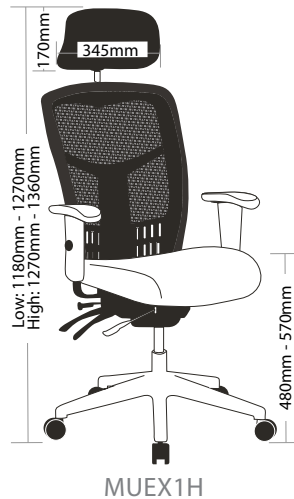
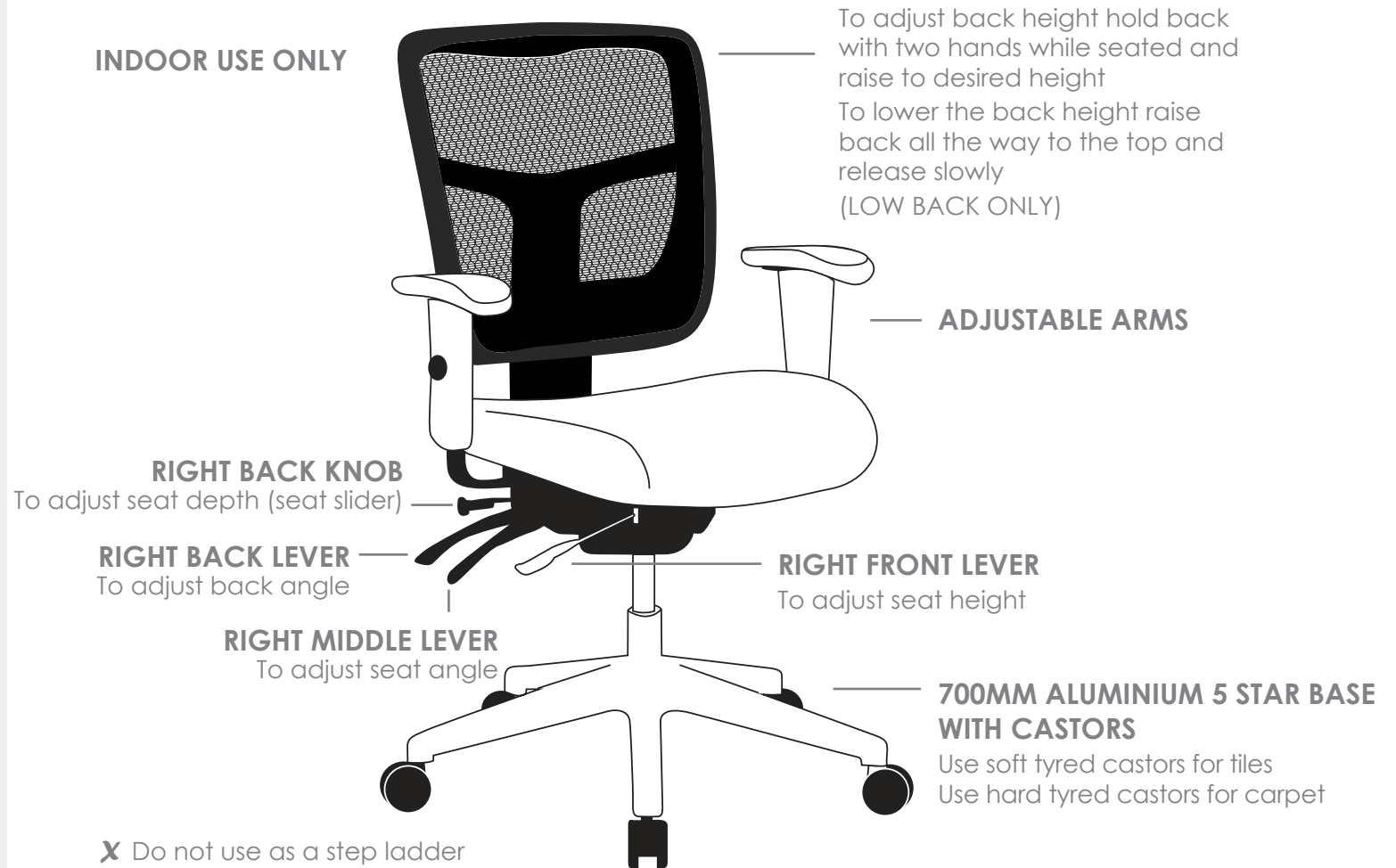
MULTI



FEATURES

- » Adjustable seat height
- » Adjustable back height (ratchet) (available in low back only)
- » Adjustable seat and back angle
- » Adjustable seat depth (seat slider)
- » Adjustable arms
- » Available in high, medium and low back
- » Moulded seat foam
- » Mesh back
- » 700mm aluminium base
- » 4 lever ergonomic mechanism
- » Available in local fabrics
- » Optional frame or base colour (please allow 5 more days)
- » Suitable for indoor use only
- » 10 year warranty
- » Weight limit is 140kg

INDOOR USE ONLY



MULTI, MULTI SHIFT SEATING



MUEX1H



MUEX1M



MUEX1L

R2 MULTI SHIFT SEATING

ROVER



FEATURES

- » Adjustable seat height
- » Adjustable back height (ratchet)
- » Adjustable seat and back angle
- » Adjustable weight tension
- » Adjustable arms
- » Available in high and low back
- » Moulded seat and back foam
- » 4 lever ergonomic mechanism
- » 700mm black nylon base
- » Available in local fabric
- » Suitable for indoor use only
- » 10 year warranty
- » Weight limit is 140kg

INDOOR USE ONLY

✗ Do not use as a step ladder

RIGHT FOURTH LEVER

To adjust back angle

RIGHT THIRD LEVER

To adjust seat angle

RIGHT SECOND LEVER

To adjust seat height

RIGHT FRONT LEVER

To adjust seat front angle

To adjust back height hold back with two hands while seated and raise to desired height

To lower the back height raise back all the way to the top and release slowly

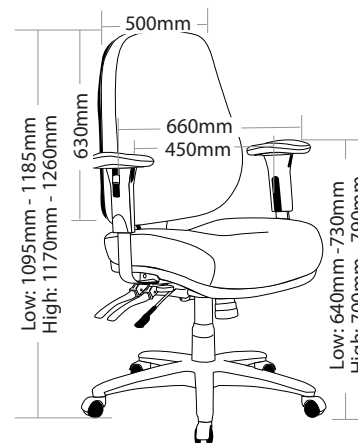
ADJUSTABLE ARMS

FRONT KNOB

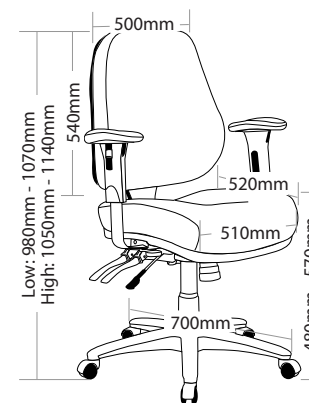
To adjust weight tension

700MM BLACK NYLON 5 STAR BASE WITH CASTORS

Use soft tyred castors for tiles
Use hard tyred castors for carpet



ROVER-2HA



ROVER-2LA

ROVER MULTI SHIFT SEATING



ROVER-2HA



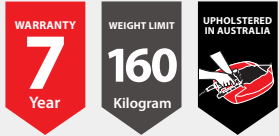
ROVER-2LA



BACK VIEW

R2 MULTI SHIFT SEATING

RANGER



FEATURES

- » Adjustable seat height
- » Adjustable seat and back angle
- » Adjustable seat depth (seat slider)
- » Adjustable weight tension
- » Adjustable headrest
- » Adjustable arms
- » Moulded seat and back foam
- » Saddle seat
- » Double steel strengthened for both seat and back
- » Synchron mechanism with 3 locking positions
- » 720mm aluminium base
- » Available in local fabrics
- » AFRDI tested to level 6
- » AFRDI tested to multi shift use 160kg
- » Suitable for indoor use only
- » 7 year warranty
- » Weight limit is 160kg

INDOOR USE ONLY

X Do not use as a step ladder

INNER BACK LEVER
To adjust seat angle
(Forwards)

INNER RIGHT LEVER
To adjust seat height

720MM ALUMINIUM
5 STAR BASE WITH CASTORS

Use soft tyred castors for tiles
Use hard tyred castors for carpet

ADJUSTABLE HEADREST

ADJUSTABLE ARMS

LEFT KNOB

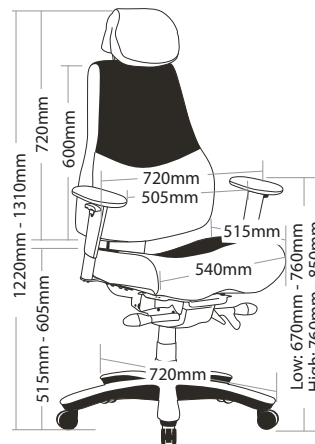
To adjust seat and back angle

INNER LEFT LEVER

To adjust seat depth (seat slider)

RIGHT KNOB

To adjust weight tension



RANGER-U

RANGER MULTI SHIFT SEATING



RANGER-U



SIDE VIEW



BACK VIEW

R3 EXECUTIVE SEATING

REGAL



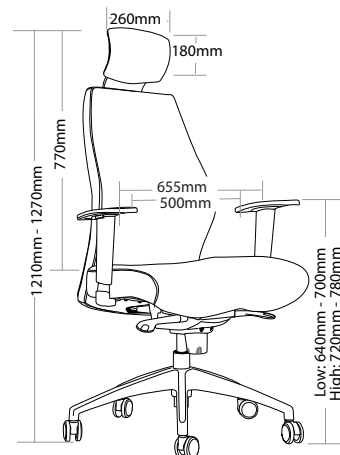
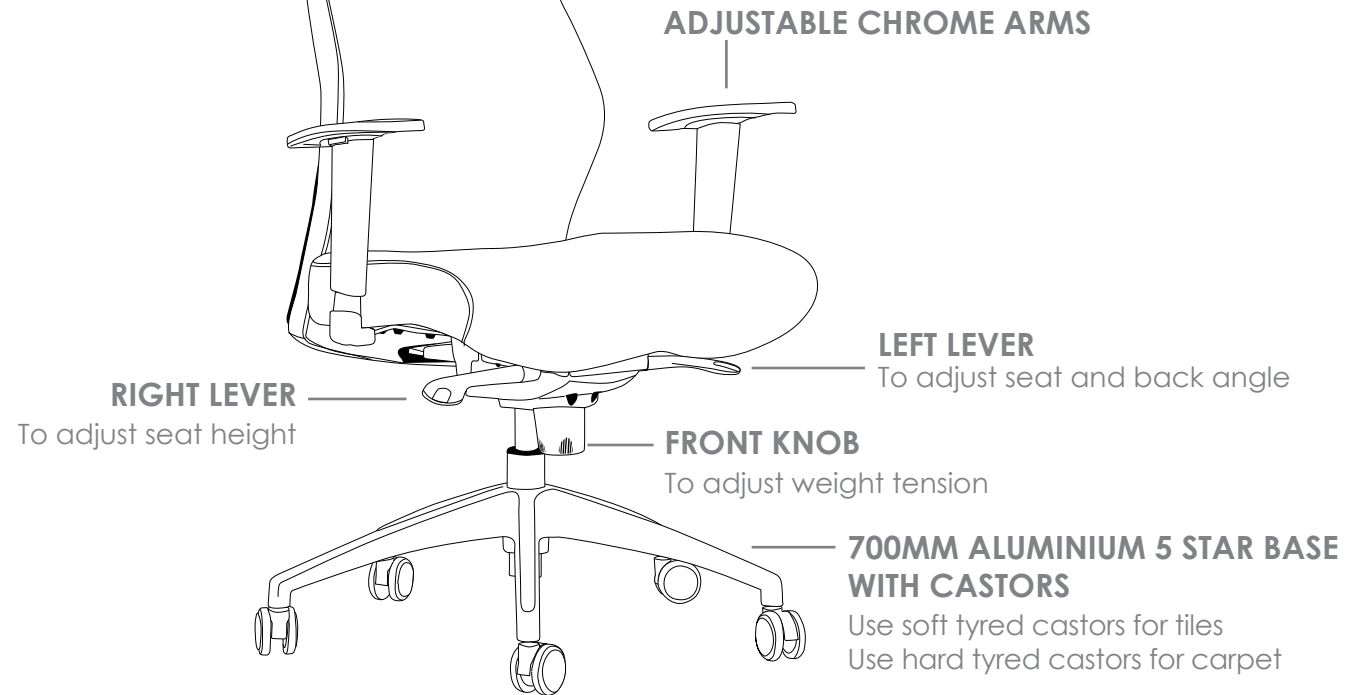
FEATURES

- » Adjustable seat height
- » Adjustable seat and back angle
- » Adjustable weight tension
- » Adjustable chrome arms
- » Optional headrest
- » Moulded back foam
- » Saddle seat
- » Synchron mechanism with 3 locking positions
- » 700mm aluminium base
- » Available in local fabrics
- » Optional frame or base colour (please allow 5 more days)
- » Suitable for indoor use only
- » 5 year warranty
- » Weight limit is 130kg

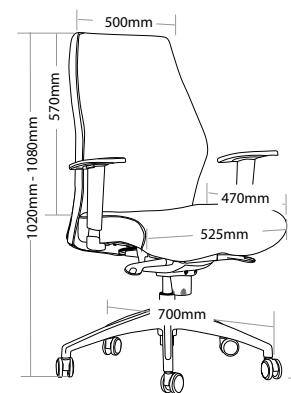
OPTIONAL HEADREST —

INDOOR USE ONLY

✗ Do not use as a step ladder



REGAL-H



REGAL-L

REGAL EXECUTIVE SEATING



REGAL-H



REGAL-L



BACK VIEW

R3 EXECUTIVE SEATING

AUSTIN

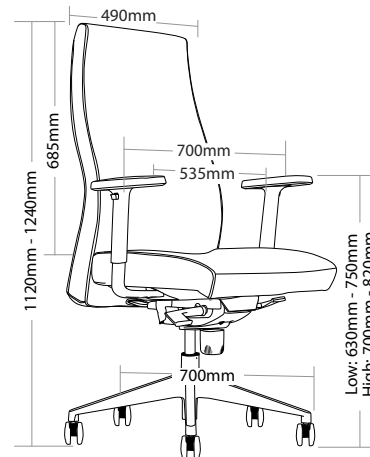
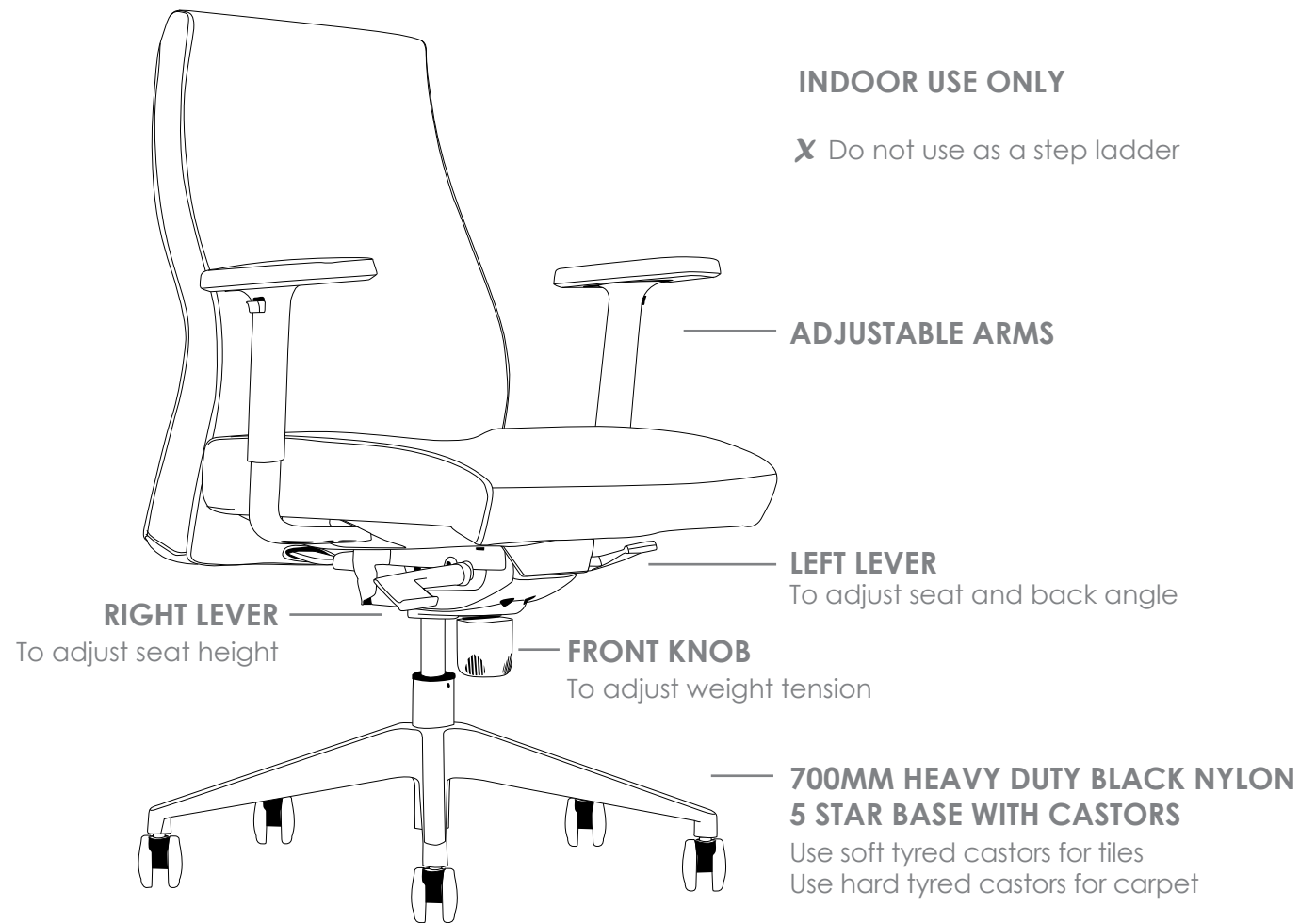


FEATURES

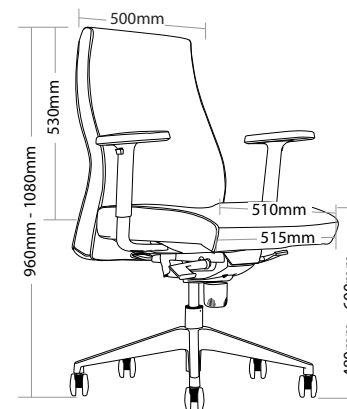
- » Adjustable seat height
- » Adjustable seat and back angle
- » Adjustable weight tension
- » Adjustable arms
- » Available in high and low back
- » Plastic under pan
- » Moulded seat and back foam
- » Synchron mechanism with 3 locking positions
- » 700mm heavy duty black nylon base
- » Available in local fabrics
- » Suitable for indoor use only
- » 5 year warranty
- » Weight limit is 130kg

INDOOR USE ONLY

X Do not use as a step ladder



AUSTIN-H



AUSTIN-L

AUSTIN EXECUTIVE SEATING



AUSTIN-H



AUSTIN-L



BACK VIEW

R3 EXECUTIVE SEATING

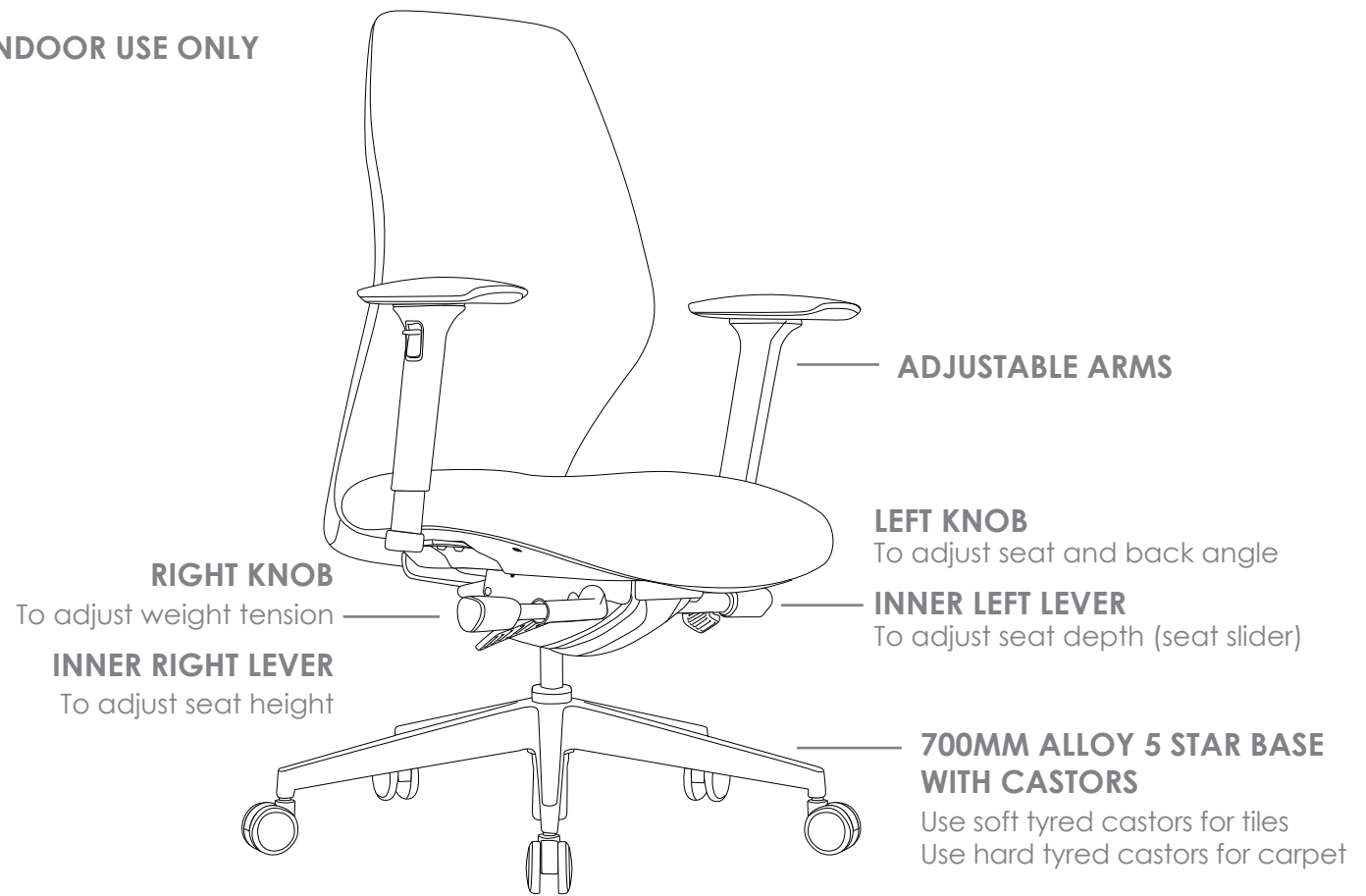
PORTO



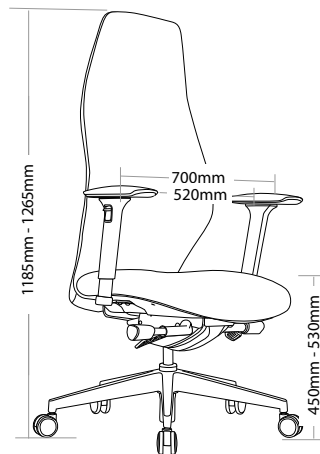
FEATURES

- » Adjustable seat height
- » Adjustable seat and back angle
- » Adjustable seat depth (seat slider)
- » Adjustable weight tension
- » Adjustable arms
- » Available in high and low back
- » Plastic under pan
- » Moulded seat and back foam
- » Synchron mechanism with 3 locking positions
- » 700mm alloy base
- » Available in local fabrics
- » Optional frame or base colour (please allow 5 more days)
- » Suitable for indoor use only
- » 5 year warranty
- » Weight limit is 130kg

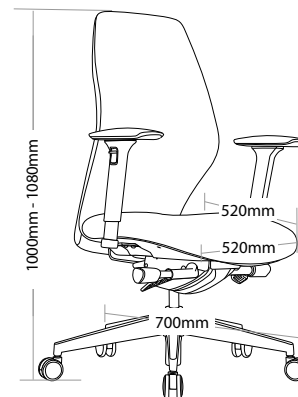
INDOOR USE ONLY



X Do not use as a step ladder



PORTO-H



PORTO-L

PORTO EXECUTIVE SEATING



PORTO-H



PORTO-L



BACK VIEW

R3 EXECUTIVE SEATING

ACURA



FEATURES

ACURA-H/ ACURA-L

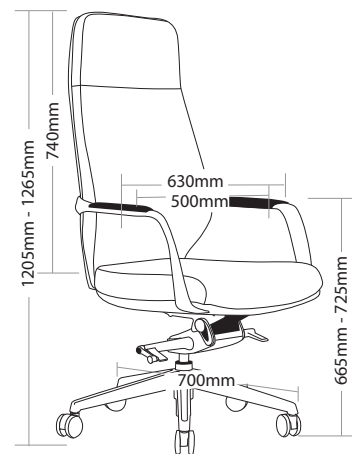
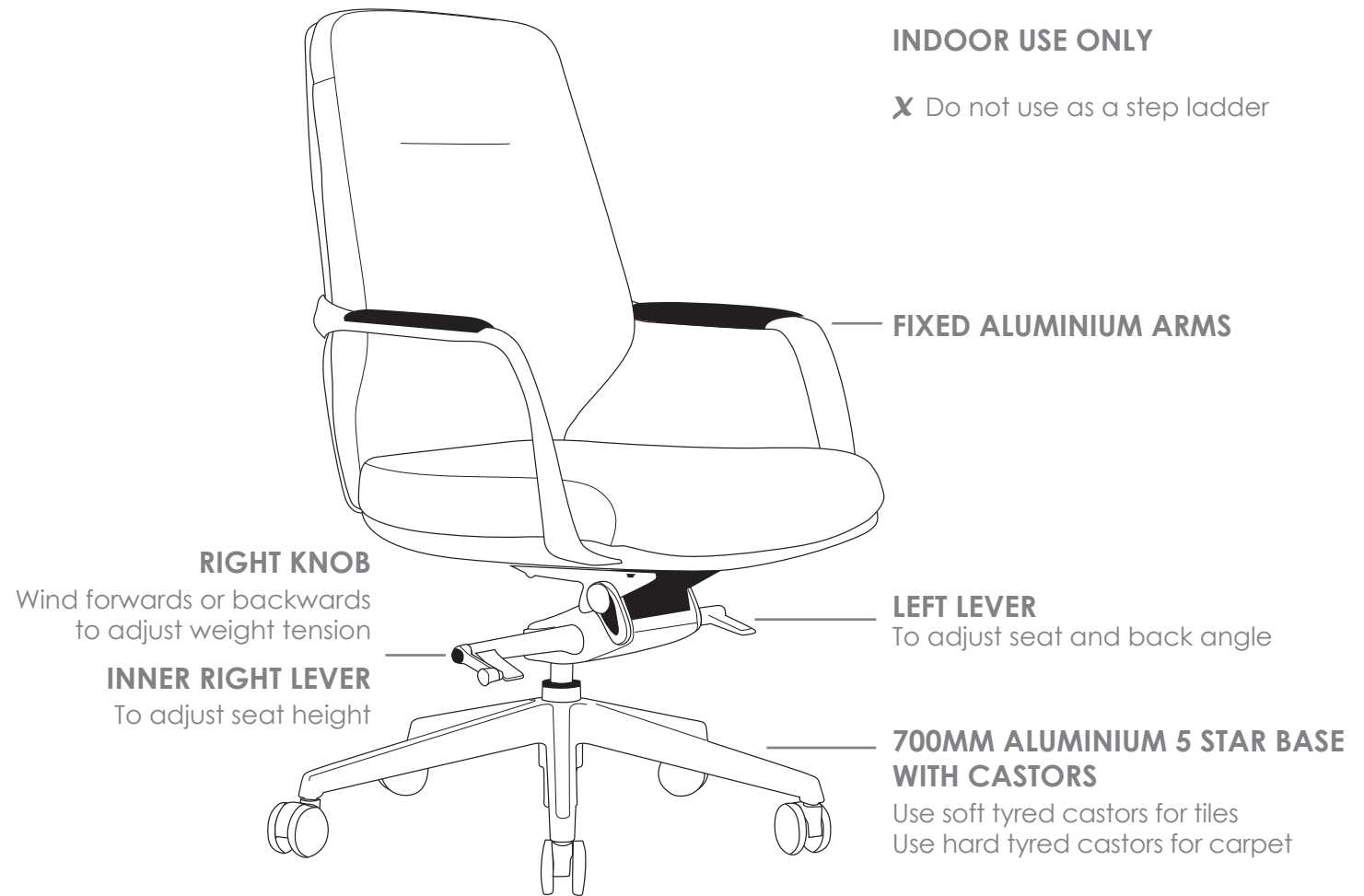
- » Adjustable seat height
- » Adjustable seat and back angle
- » Adjustable weight tension
- » Available in high and low back
- » Fixed aluminium arms
- » High density foam
- » Knee tilt mechanism with 3 locking positions
- » 700mm aluminium base
- » Available in local fabrics
- » Optional frame or base colour (please allow 5 more days)
- » Suitable for indoor use only
- » 5 year warranty
- » Weight limit is 120kg

ACURA-VC

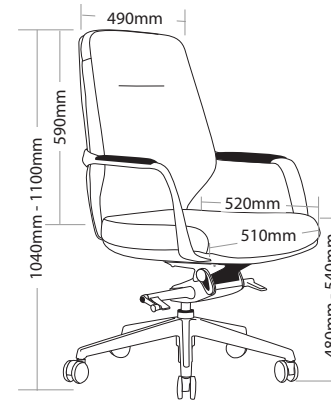
- » Chrome frame
- » High density foam
- » Available in local fabrics
- » Optional frame or base colour (please allow 5 more days)
- » Suitable for indoor use only
- » 5 year warranty
- » Weight limit is 120kg

INDOOR USE ONLY

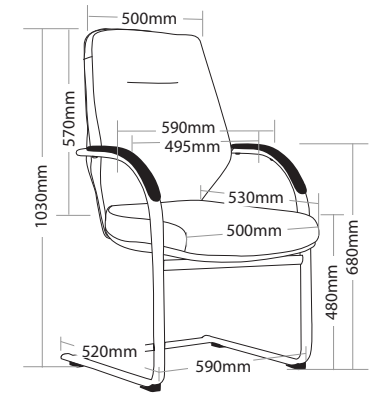
X Do not use as a step ladder



ACURA-H



ACURA-L



ACURA-VC

ACURA EXECUTIVE SEATING



ACURA-H



ACURA-L



ACURA-VC

R3 EXECUTIVE SEATING

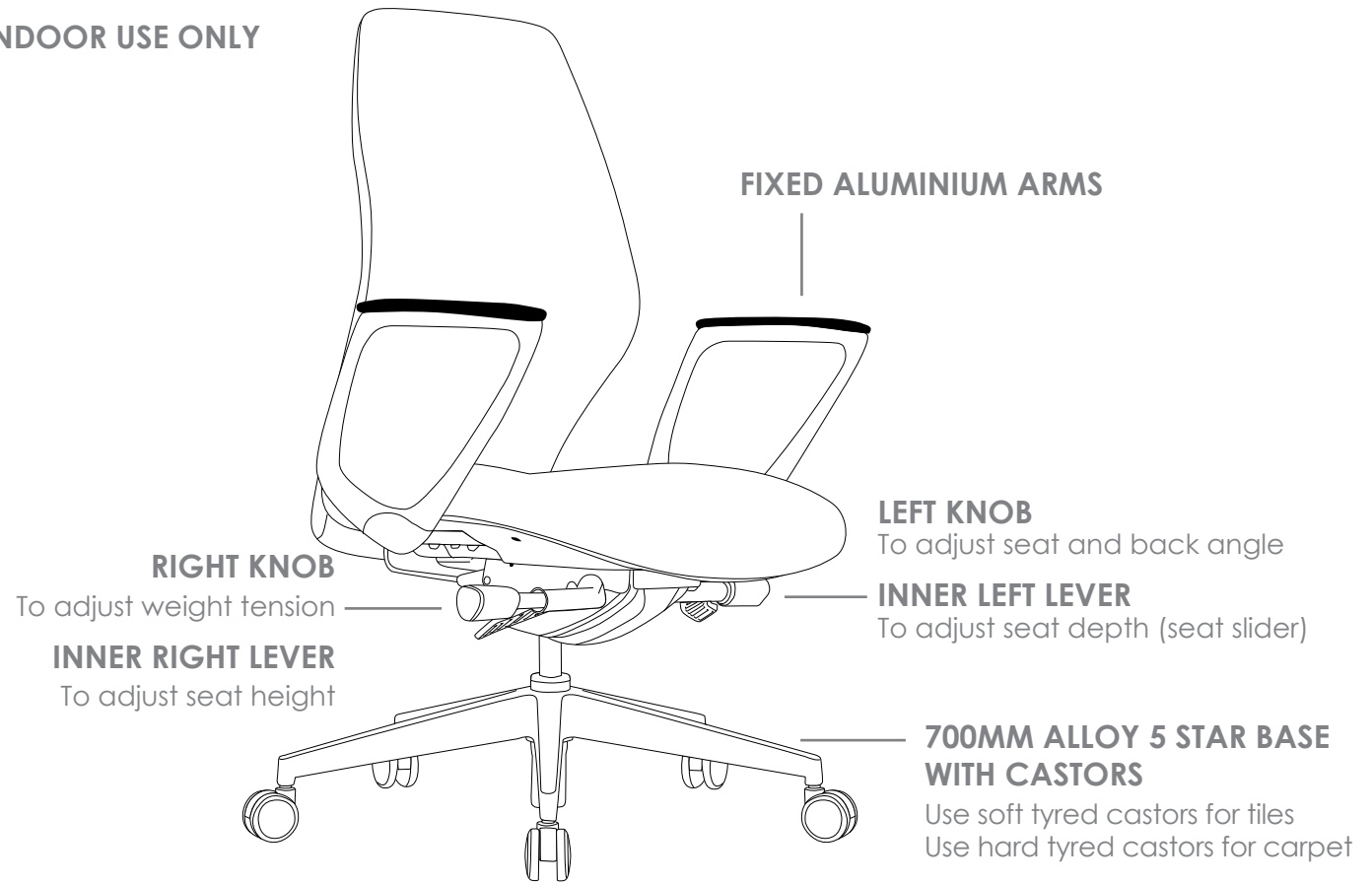
ASSIST



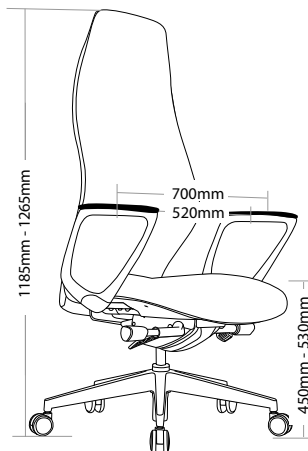
FEATURES

- » Adjustable seat height
- » Adjustable seat and back angle
- » Adjustable seat depth (seat slider)
- » Adjustable weight tension
- » Fixed aluminium arms
- » Available in high and low back
- » Plastic under pan
- » Moulded seat and back foam
- » Synchron mechanism with 3 locking positions
- » 700mm alloy base
- » Available in local fabrics
- » Optional frame or base colour (please allow 5 more days)
- » Suitable for indoor use only
- » 5 year warranty
- » Weight limit is 130kg

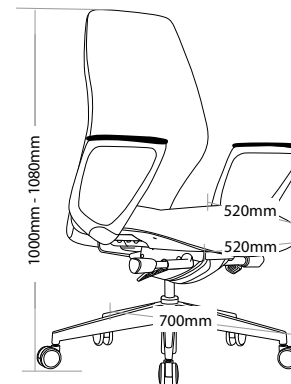
INDOOR USE ONLY



X Do not use as a step ladder



ASSIST-H



ASSIST-L

ASSIST EXECUTIVE SEATING



ASSIST-H



ASSIST-L



BACK VIEW

R4 HOSPITALITY SEATING

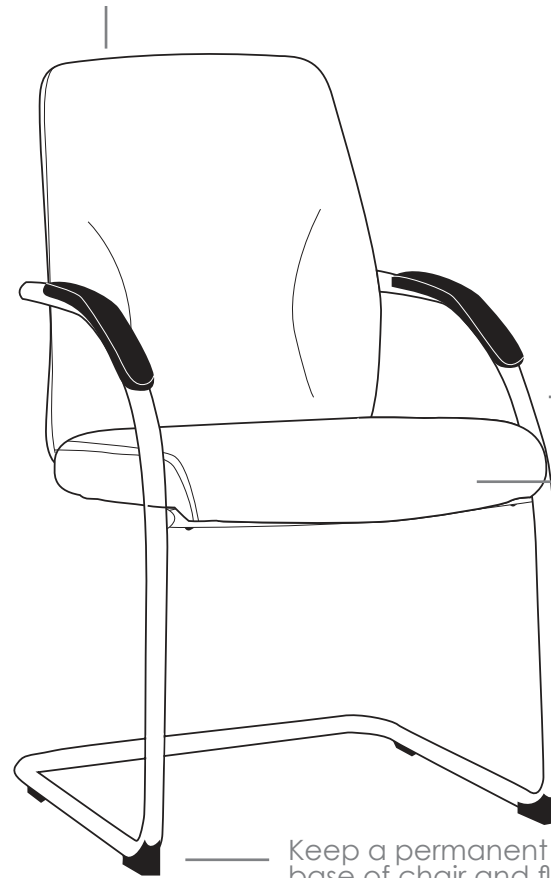
ASTRA



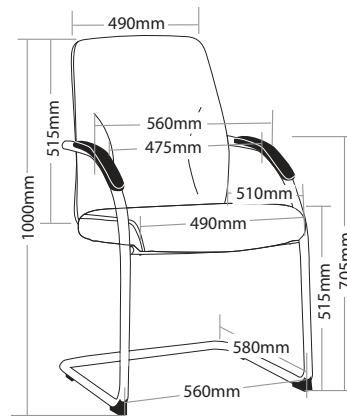
FEATURES

- » Padded seat
- » Chrome frame
- » Available in local fabrics
- » Optional frame or base colour (please allow 5 more days)
- » Suitable for indoor use only
- » 3 year warranty
- » Weight limit is 120kg

INDOOR USE ONLY



✗ Do not use as a step ladder



ASTRA

ASTRA HOSPITALITY SEATING



ASTRA



SIDE VIEW



BACK VIEW

R4 HOSPITALITY SEATING

FOCUS



FEATURES

- » Optional arms
- » Optional left / right hand tablet arm
- » Optional black metal trolley, easy to move when stacked
- » Available in beam seating
- » Multi purpose stackable client chair
 - » Maximum 10 chairs on trolley
 - » Maximum 5 chairs on floor
 - » Maximum 3 chairs with arms
 - » Not stackable with tablet arms
- » Linkable except with tablet arms or arms
- » Fully strengthened plastic back shell
- » Fully welded frame
- » Available in all local fabrics
- » Optional frame or base colour (please allow 5 more days)
- » BIFMA drop tested
- » Suitable for indoor use only
- » 4 year warranty
- » Weight limit is 120kg

INDOOR USE ONLY

X Do not use as a step ladder

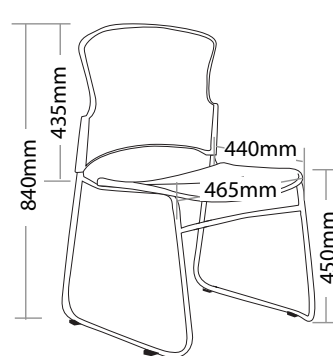


WELDED FRAME

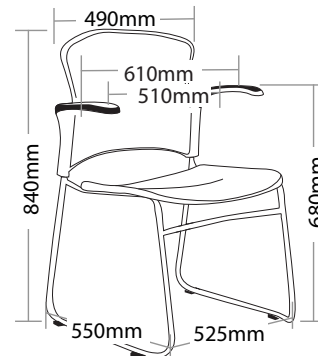
STACKABLE

SLED BASE FRAME

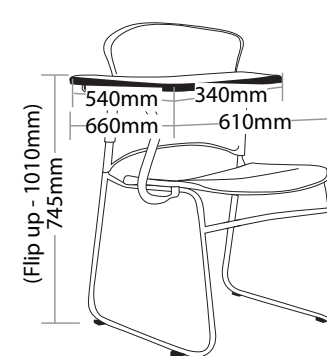
Keep a permanent contact between base of chair and floor



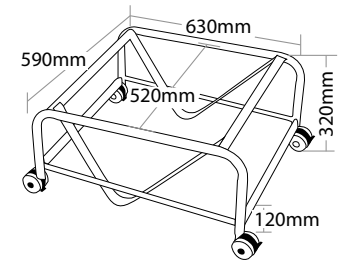
FOC-1U



FOC-1UA



FOC-1UTR



FOC-TRL

FOCUS HOSPITALITY SEATING



FOC-1U



FOC-1UA



FOC-1UTR



FOC-1UTL



FOC-TRL



R4 HOSPITALITY SEATING

VINN

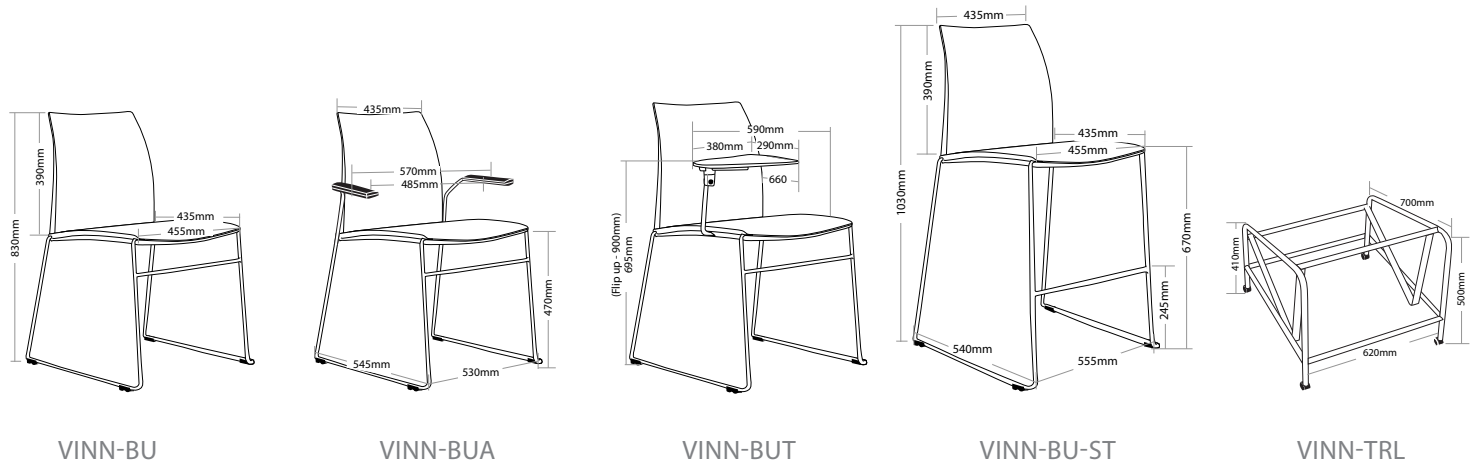
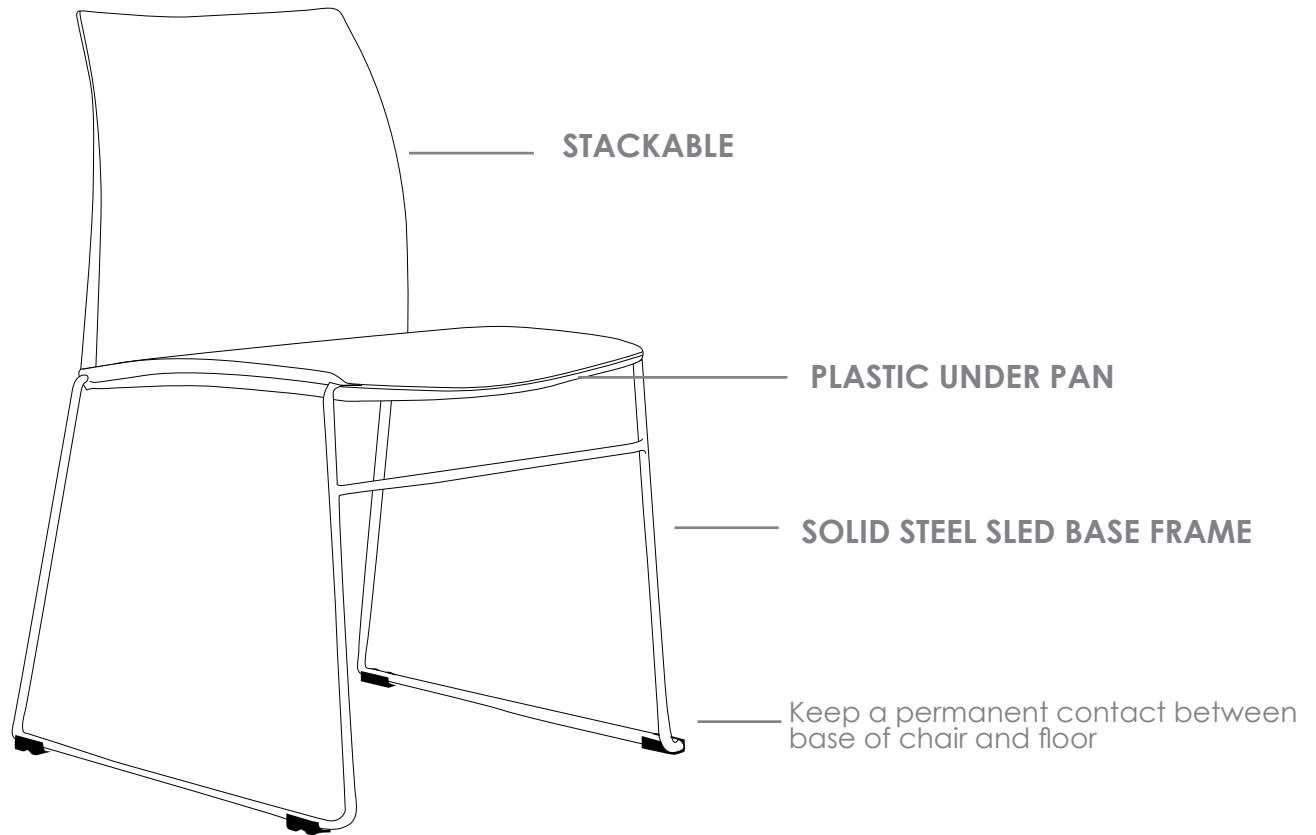


FEATURES

- » Optional plastic or mesh back
- » Optional arms, tablet arm or stool
- » Optional black metal trolley, easy to move when stacked
- » Available in beam seating
- » Stackable
 - » Maximum 10 chairs on trolley
 - » Maximum 5 chairs on floor
 - » Maximum 3 chairs with stools or arms
- » Not stackable with tablet arms or stool with arms
- » Linkable except with tablet arms or arms
- » Chrome finish
- » Black plastic
- » Plastic under pan
- » Solid steel sled base frame
- » Available in all local fabrics
- » Back mesh available in Jazz mesh
- » Optional frame or base colour (please allow 5 more days)
- » Suitable for indoor use only
- » 4 year warranty
- » Weight limit is 120kg

INDOOR USE ONLY

X Do not use as a step ladder



VINN HOSPITALITY SEATING



VINN-BU



VINN-BUA



VINN-BUT



VINN-BU-ST



VINN-BU-STA



VINN-TRL

R4 HOSPITALITY SEATING

VINN MESH

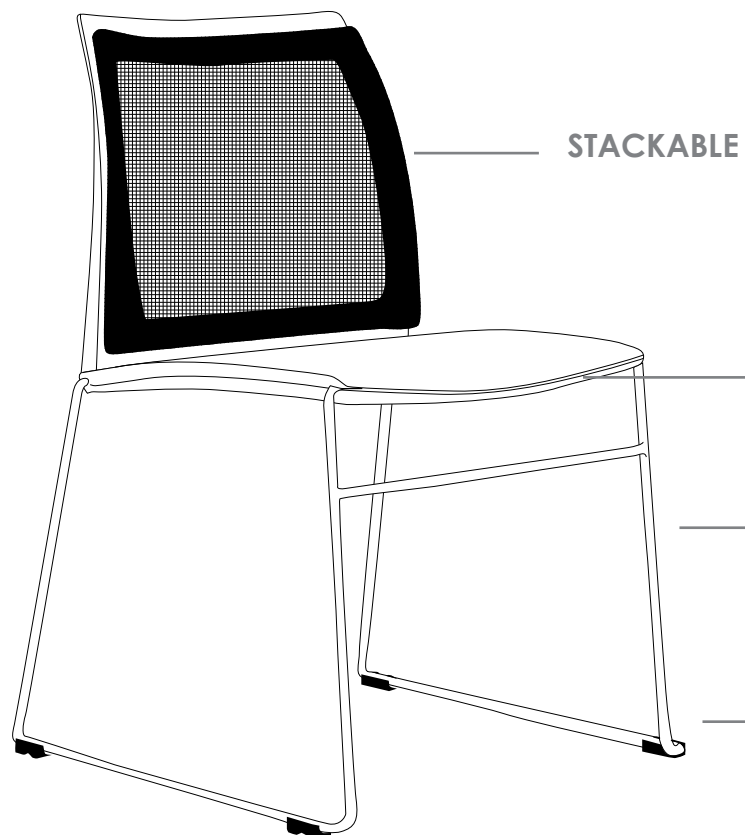


FEATURES

- » Optional plastic or mesh back
- » Optional arms, tablet arm or stool
- » Optional black metal trolley, easy to move when stacked
- » Available in beam seating
- » Stackable
 - » Maximum 10 chairs on trolley
 - » Maximum 5 chairs on floor
 - » Maximum 3 chairs with stools or arms
- » Not stackable with tablet arms or stool with arms
- » Linkable except with tablet arms or arms
- » Chrome finish
- » Black plastic
- » Plastic under pan
- » Solid steel sled base frame
- » Available in all local fabrics
- » Back mesh available in Jazz mesh
- » Optional frame or base colour (please allow 5 more days)
- » Suitable for indoor use only
- » 4 year warranty
- » Weight limit is 120kg

INDOOR USE ONLY

X Do not use as a step ladder

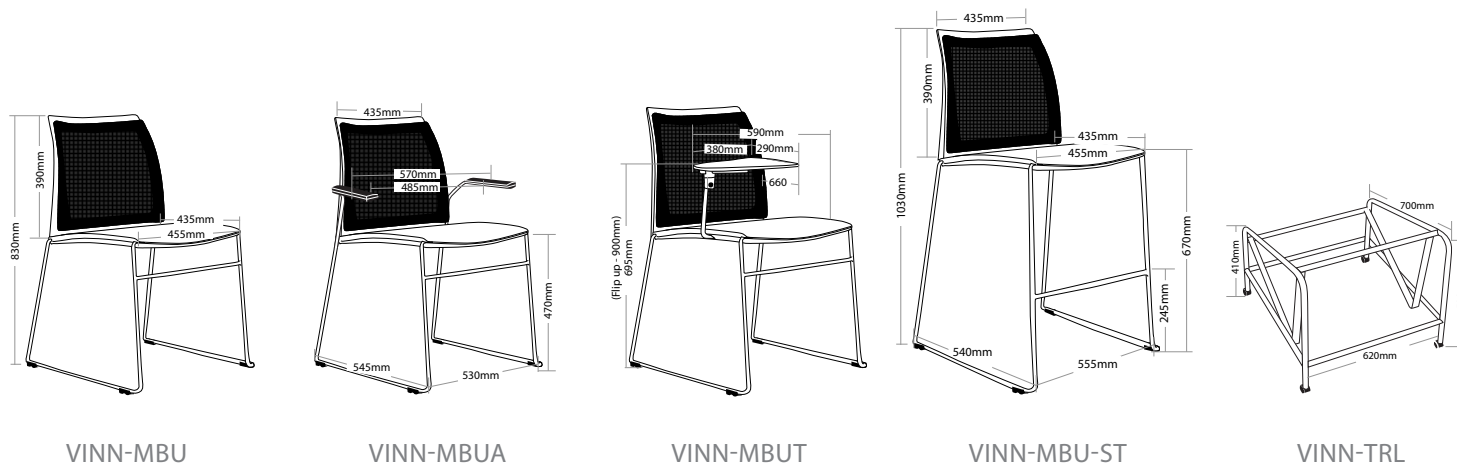


STACKABLE

PLASTIC UNDER PAN

SOLID STEEL SLED BASE FRAME

Keep a permanent contact between base of chair and floor



VINN MESH HOSPITALITY SEATING



VINN-MBU



VINN-MBUA



VINN-MBUT



VINN-MBU-ST



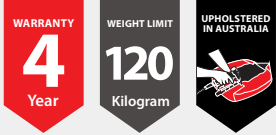
VINN-MBU-STA



VINN-TRL

R4 HOSPITALITY SEATING

POD



FEATURES

- » Adjustable seat height with black base and black base with castors
- » Optional upholstered
- » Optional aluminium legs with timber finish
- » Optional aluminium legs with black finish
- » Optional black base
- » Optional black base with castor
- » Not stackable
- » Available in local fabrics
- » Available in black, red and white plastic shell
- » Optional frame or base colour (please allow 5 more days)
- » Suitable for indoor use only
- » 4 year warranty
- » Weight limit is 120kg

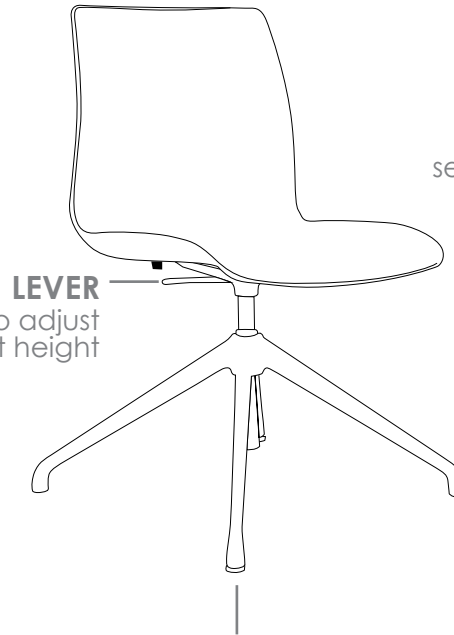
PLASTIC COLOUR



B-Black R-Red W-White

INDOOR USE ONLY

✗ Do not use as a step ladder

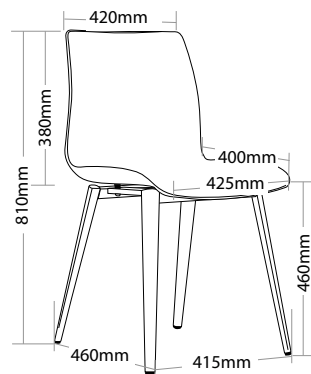


LEVER
To adjust seat height

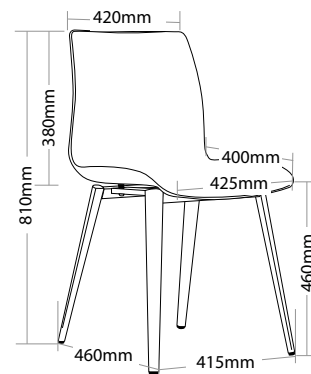
LEVER
To adjust seat height

BLACK BASE WITH CASTORS
Keep a permanent contact between base of chair and floor

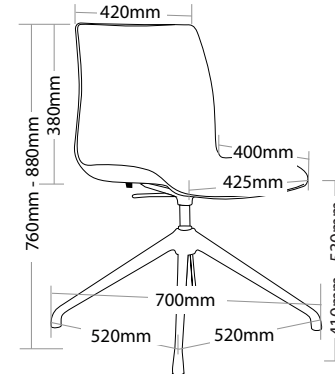
Keep a permanent contact between base of chair and floor



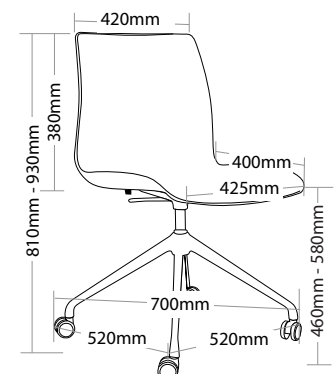
POD-NL



POD-BL



POD-BB



POD-BBC

POD HOSPITALITY SEATING



POD-B-NL



POD-R-BL



POD-W-BB



POD-B-BBC



POD-RU-NL



POD-WU-BL



POD-BU-BB



POD-RU-BBC

R4 HOSPITALITY SEATING

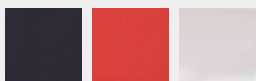
POD 4 LEGS



FEATURES

- » Optional arms
- » Optional tablet arm
- » Optional stool
- » Optional black metal trolley, easy to move when stacked
- » Optional 4 legs or sled base chrome frame
- » Available in beam seating
- » Stackable
 - » Maximum 10 chairs on trolley
 - » Maximum 5 chairs on floor
 - » Maximum 3 chairs with stools or arms
 - » Maximum 3 chairs with tablet arms
- » Plastic under pan
- » Available in local fabrics
- » Available in black, red and white plastic shell
- » Optional frame or base colour (please allow 5 more days)
- » Suitable for indoor use only
- » 4 year warranty
- » Weight limit is 120kg

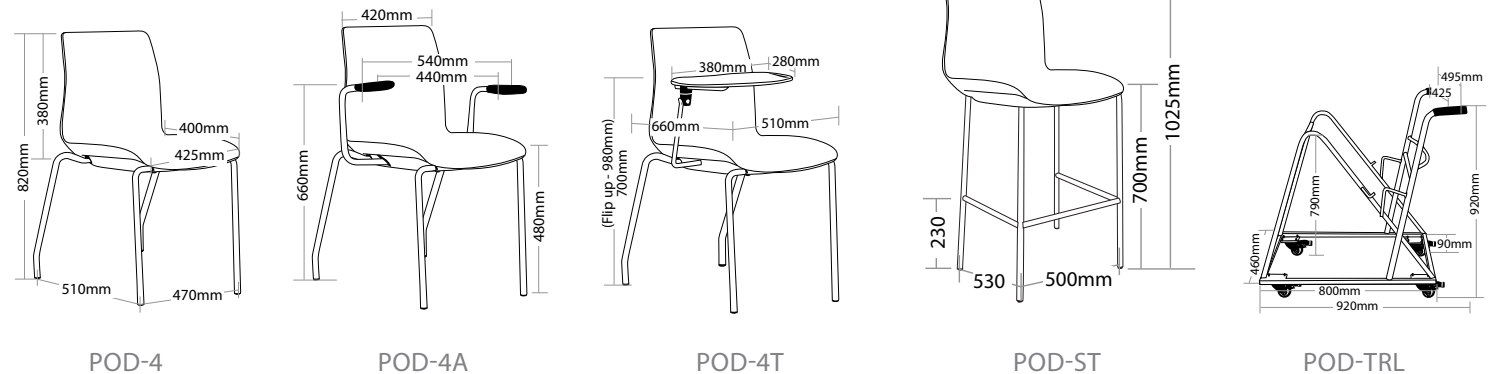
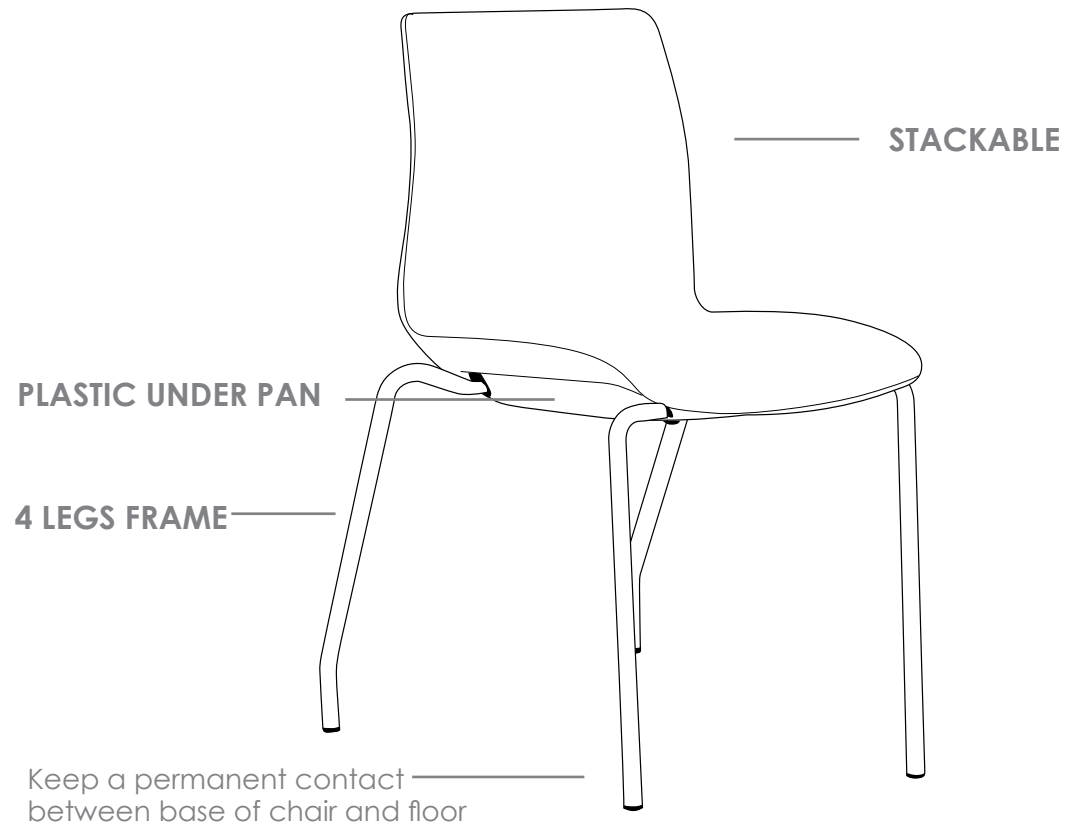
PLASTIC COLOUR



B-Black R-Red W-White

INDOOR USE ONLY

✗ Do not use as a step ladder



POD 4 LEGS HOSPITALITY SEATING



POD-4BU



POD-4RUA



POD-4WUT



POD-STWU



POD-STBU



POD-TRL

R4 HOSPITALITY SEATING

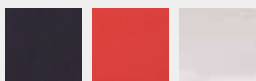
POD SLED



FEATURES

- » Optional arms
- » Optional tablet arms
- » Optional black metal trolley, easy to move when stacked
- » Optional 4 legs or sled base chrome frame
- » Available in beam seating
- » Stackable
 - » Maximum 10 chairs on trolley
 - » Maximum 5 chairs on floor
 - » Not stackable with arms or tablet arms
- » Linkable except with tablet arms and arms
- » Plastic under pan
- » Available in local fabrics
- » Available in black, red and white plastic shell
- » Optional frame or base colour (please allow 5 more days)
- » Suitable for indoor use only
- » 4 year warranty
- » Weight limit is 120kg

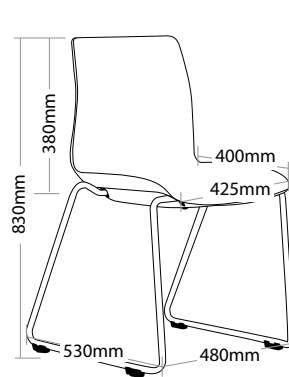
PLASTIC COLOUR



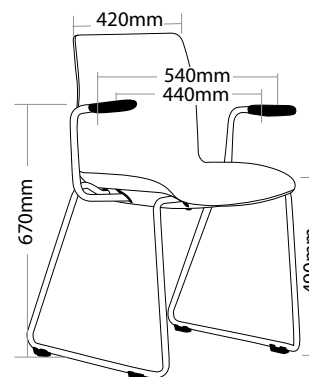
B-Black R-Red W-White

INDOOR USE ONLY

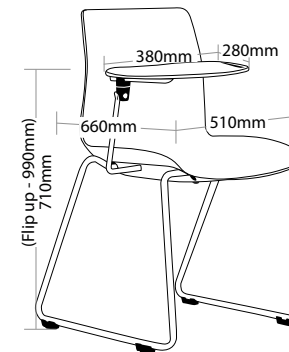
✗ Do not use as a step ladder



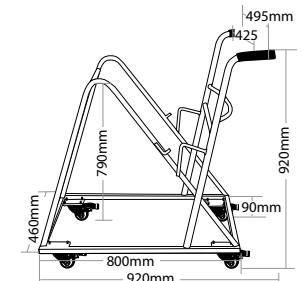
POD-S



POD-SA



POD-ST



POD-TRL

POD SLED HOSPITALITY SEATING



POD-SBU



POD-SRUA



POD-SWUT



POD-TRL

R4 HOSPITALITY SEATING

MAXI 4 LEGS



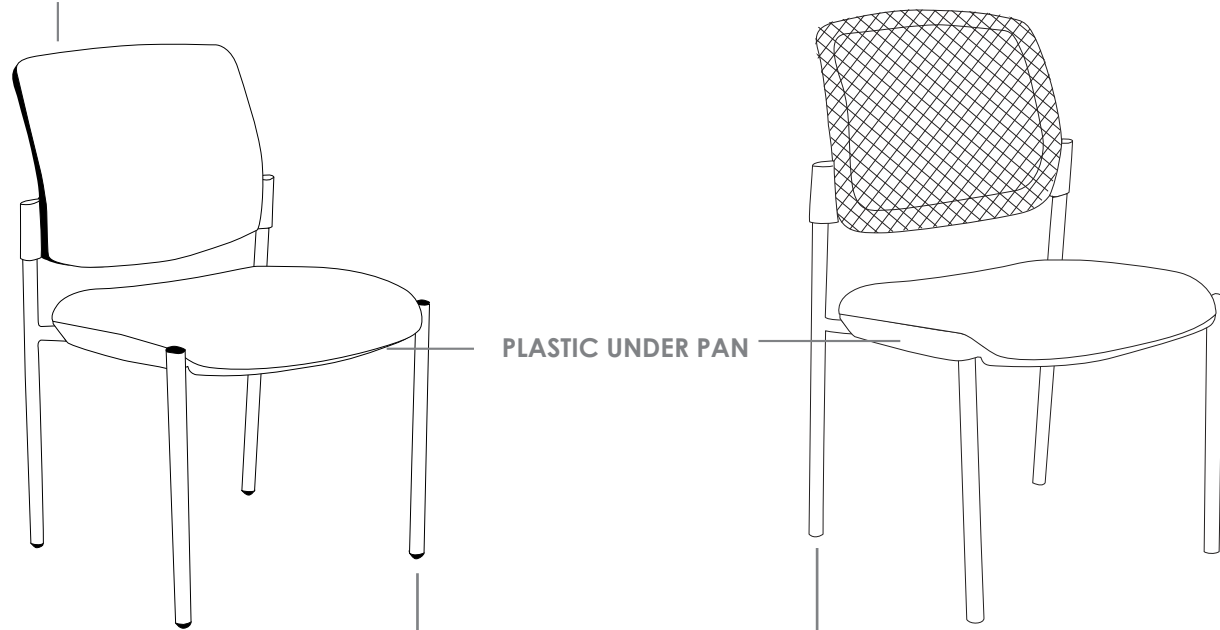
FEATURES

- » Available with or without arms
- » Available in beam seating
- » Optional black or chrome finish
- » Optional upholstered or mesh back
- » Plastic under pan
- » Plastic outer back (upholstered back only)
- » 4 legs frame
- » Available in local fabrics
- » Back mesh available in Jazz mesh
- » Optional frame or base colour (please allow 5 more days)
- » AFRDI approved to level 6
- » Suitable for indoor use only
- » 5 year warranty
- » Weight limit is 120kg

INDOOR USE ONLY

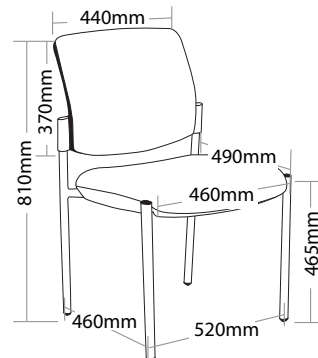
✗ Do not use as a step ladder

PLASTIC OUTER BACK

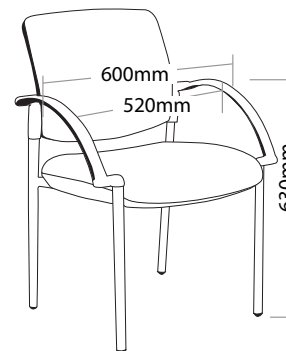


4 LEGS FRAME

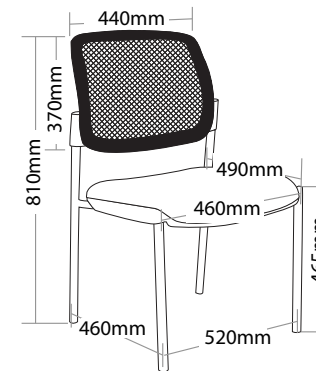
Keep a permanent contact between base of chair and floor



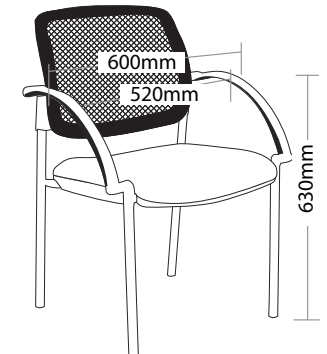
M1



M1-B



MM1



MM1-B

MAXI 4 LEGS HOSPITALITY SEATING



M1



M1-B



M1-C



M1-BC



MM1



MM1-B



MM1-C



MM1-BC

R4 HOSPITALITY SEATING

MAXI SLED

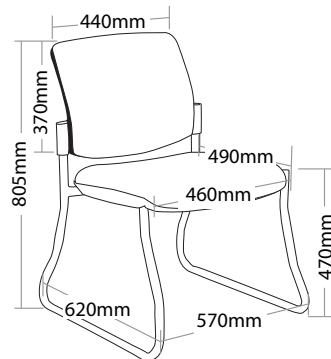
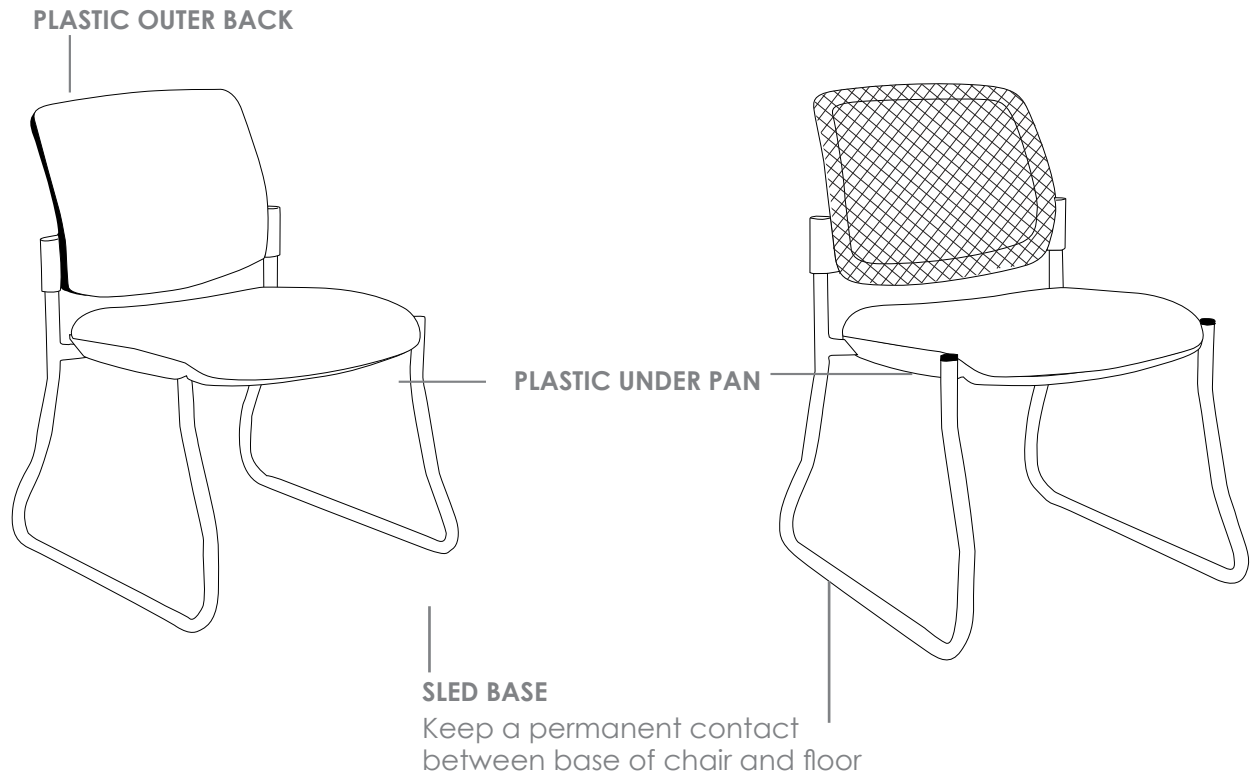


FEATURES

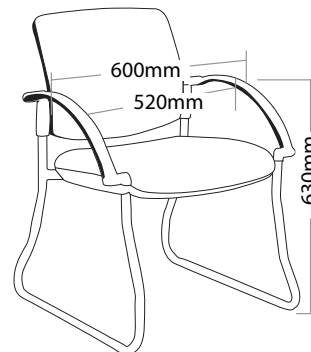
- » Available with or without arms
- » Available in beam seating
- » Optional black or chrome finish
- » Optional upholstered or mesh back
- » Stackable except with arms (Limit of 3)
- » Plastic under pan
- » Plastic outer back (upholstered back only)
- » Sled base frame
- » Available in local fabrics
- » Back mesh available in Jazz mesh
- » Optional frame or base colour (please allow 5 more days)
- » AFRDI approved to level 6
- » Suitable for indoor use only
- » 5 year warranty
- » Weight limit is 120kg

INDOOR USE ONLY

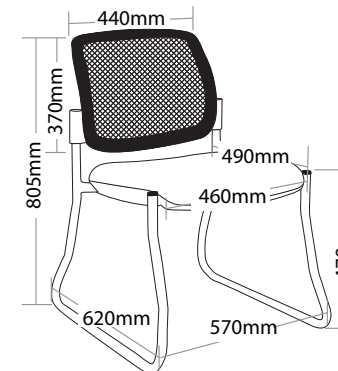
✗ Do not use as a step ladder



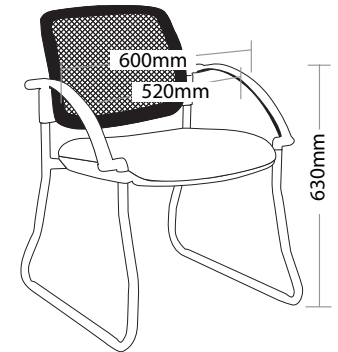
M4



M4-A



MM4



MM4-A

MAXI SLED

HOSPITALITY SEATING



M4



M4-A



M4-C



M4-AC



MM4



MM4-A



MM4-C



MM4-AC

R4 HOSPITALITY SEATING

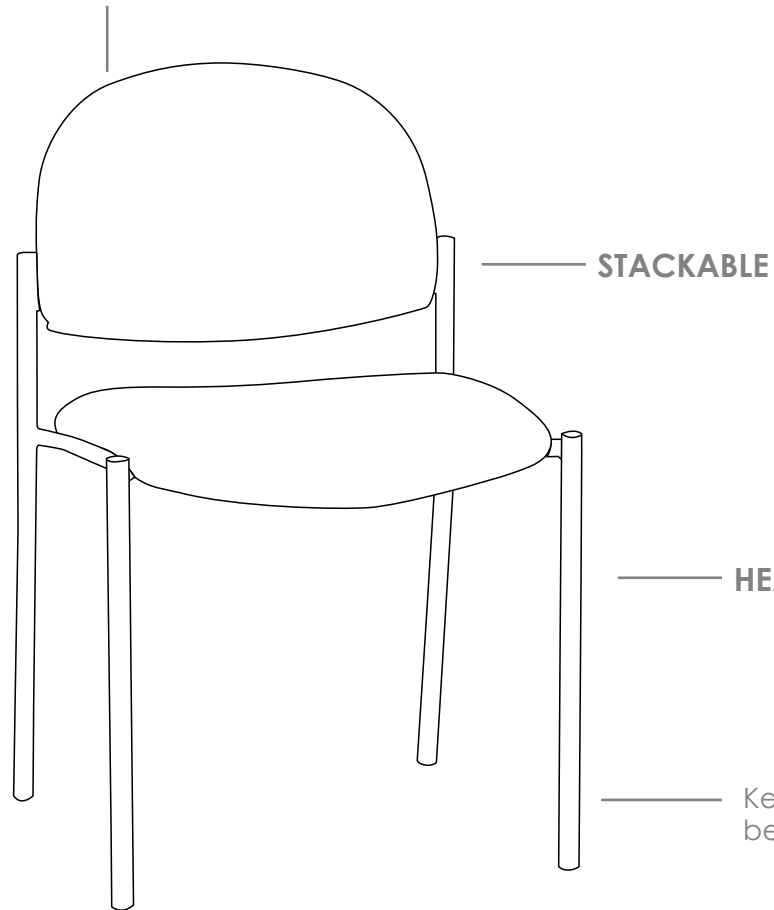
VERA



FEATURES

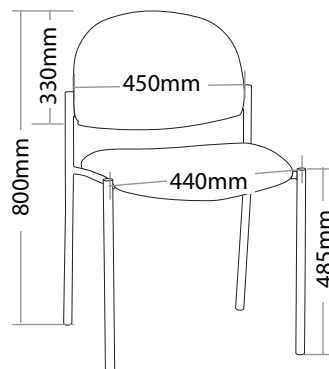
- » Optional 4 leg or sled base
- » Optional round or square back
- » Optional black or chrome finish
- » Optional arms
- » Optional tablet arms
- » Stackable
 - » Maximum 4 chairs with 4 leg base on floor
 - » Maximum 3 chairs with sled base on floor
 - » Not stackable with sled base with arms
 - » Not stackable with tablet arms
- » Heavy duty metal frame
- » Available in local fabrics
- » Optional frame or base colour (please allow 5 more days)
- » Suitable for indoor use only
- » 5 year warranty
- » Weight limit is 120kg

INDOOR USE ONLY

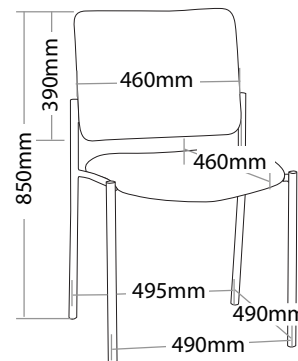


✘ Do not use as a step ladder

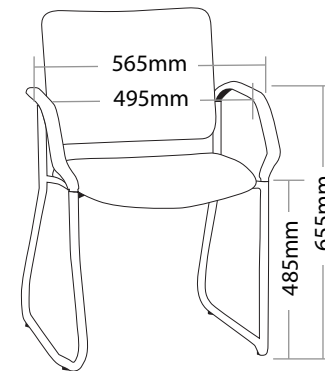
Keep a permanent contact between base of chair and floor



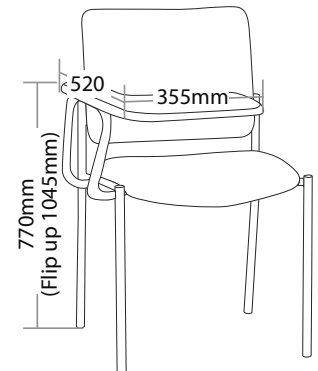
VC100



OGVC100



OGVC400-A



OGVC100-TR

VERA HOSPITALITY SEATING



VC100



VC400-A



VC400AC



VC100-TR



OGVC100



OGVC100-B



OGVC400-A



OGVC400-TR

R5 BEAM SEATING

MAXI

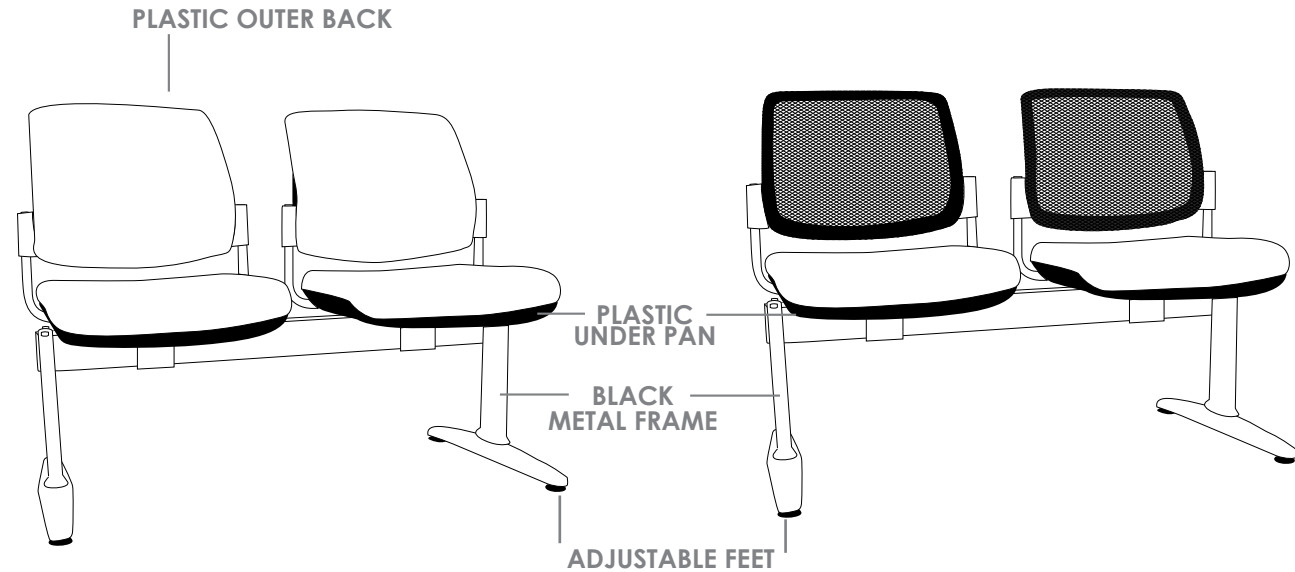
WARRANTY 4 Year	WEIGHT LIMIT 200 Kilogram	WEIGHT LIMIT 300 Kilogram	WEIGHT LIMIT 350 Kilogram	UPHOLSTERED IN AUSTRALIA
------------------------------	--	--	--	-----------------------------

FEATURES

- » Optional 2, 3 or 4 seater
- » Optional fully upholstered back or mesh
- » Plastic under pan
- » Plastic outer back (upholstered back only)
- » Black metal frame
- » Adjustable feet
- » Available in local fabrics
- » Back mesh available in Jazz mesh
- » Suitable for indoor use only
- » 4 year warranty
- » Weight limit for 2 seater is 200kg
- » Weight limit for 3 seater is 300kg
- » Weight limit for 4 seater is 350kg

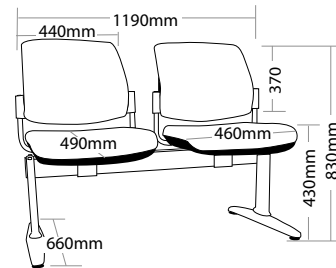
INDOOR USE ONLY

X Do not use as a step ladder

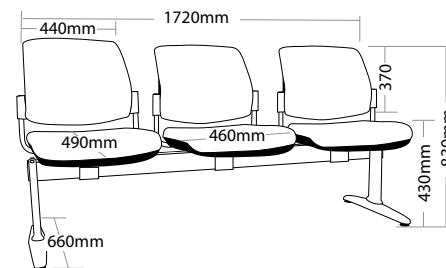


Screw to adjust height

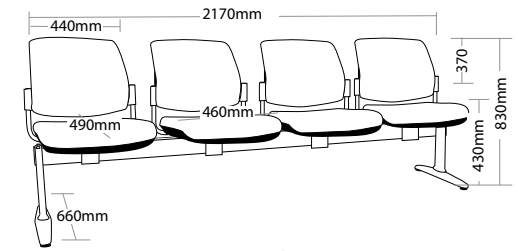
Keep a permanent contact between base of chair and floor



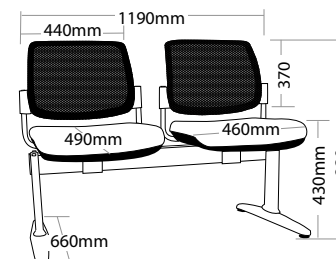
M-BEAM 2



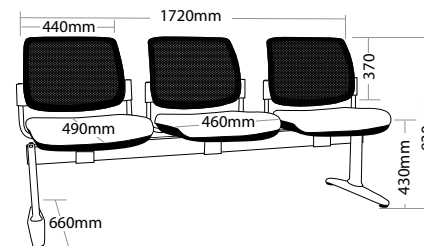
M-BEAM 3



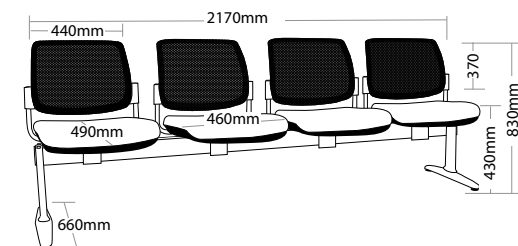
M-BEAM 4



MM-BEAM 2



MM-BEAM 3



MM-BEAM 4

MAXI BEAM SEATING



M-BEAM 2



M-BEAM 3



M-BEAM 4



MM-BEAM 2



MM-BEAM 3



MM-BEAM 4

R5 BEAM SEATING

FOCUS



FEATURES

- » Optional 2 or 3 seater
- » Fully welded black metal frame
- » Twin seat support bars
- » Adjustable feet
- » Available in local fabrics
- » Suitable for indoor use
- » 4 year warranty
- » Weight limit for 2 seater is 200kg
- » Weight limit for 3 seater is 300kg

INDOOR USE ONLY

✗ Do not use as a step ladder

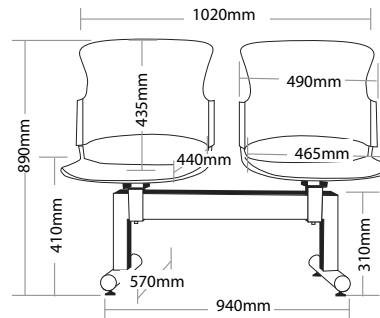


TWIN SEAT SUPPORT BARS

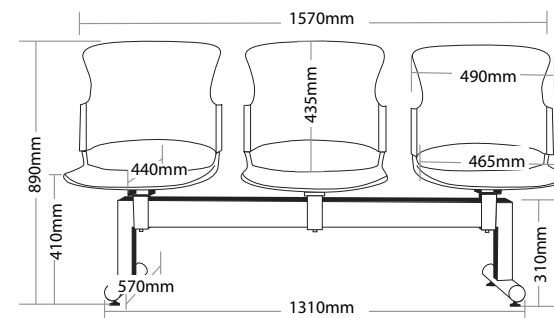
FULLY WELDED BLACK METAL FRAME

ADJUSTABLE FEET
Screw to adjust the height

Keep a permanent contact between base of chair and floor



F-BEAM 2



F-BEAM 3

FOCUS BEAM SEATING



F-BEAM 2U



F-BEAM 3U

R5 BEAM SEATING

VINN

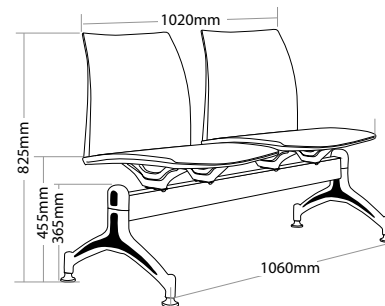
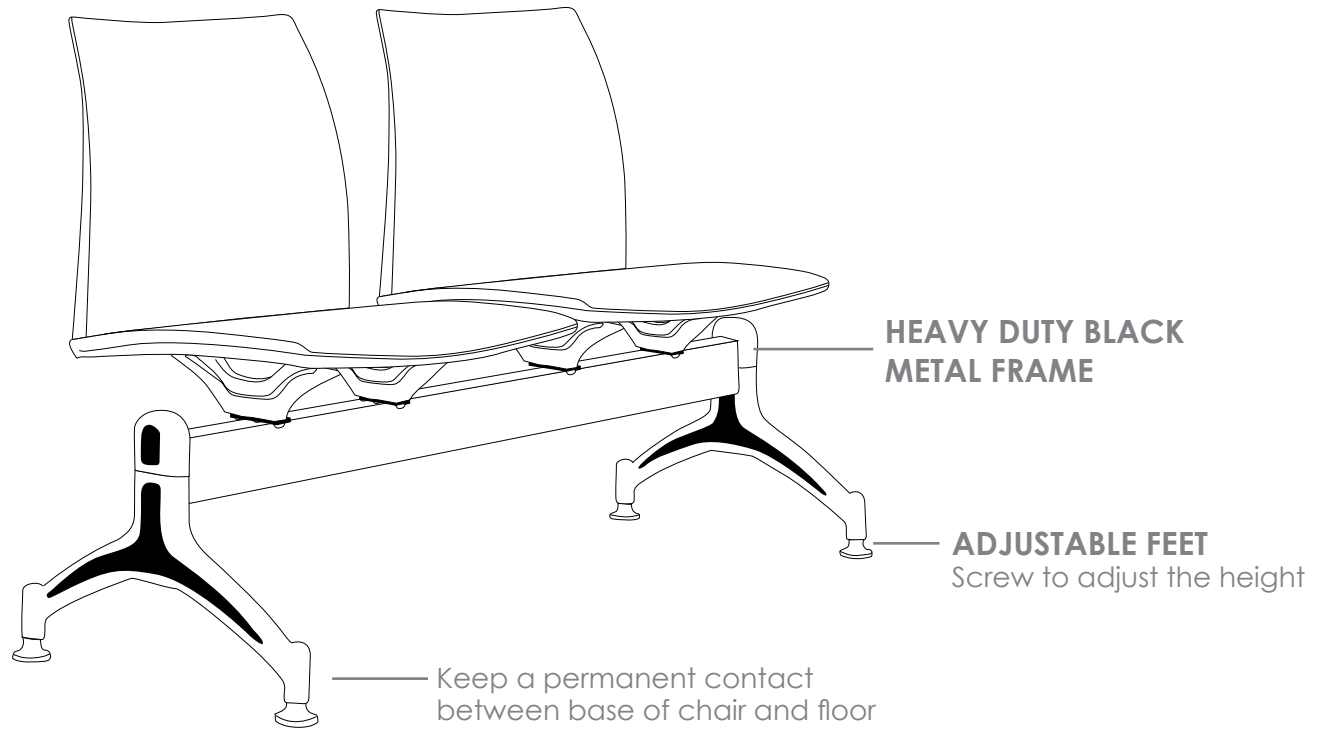
WARRANTY 4 Year	WEIGHT LIMIT 180 Kilogram	WEIGHT LIMIT 250 Kilogram	WEIGHT LIMIT 300 Kilogram	UPHOLSTERED IN AUSTRALIA
------------------------------	--	--	--	-----------------------------

FEATURES

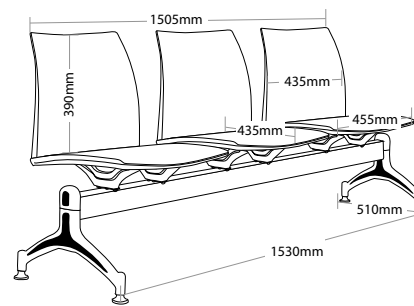
- » Optional 2, 3 or 4 seater
- » Optional plastic or mesh back
- » Heavy duty black metal beam frame
- » Black plastic
- » Adjustable feet
- » Available in local fabrics
- » Back mesh available in Jazz fabric
- » Suitable for indoor use
- » 4 year warranty
- » Weight limit for 2 seater is 180kg
- » Weight limit for 3 seater is 250kg
- » Weight limit for 4 seater is 300kg

X Do not use as a step ladder

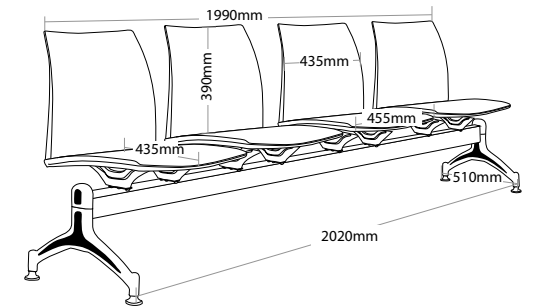
INDOOR USE ONLY



V-BEAM 2



V-BEAM 3



V-BEAM 4

VINN BEAM SEATING



V-BEAM 2U



V-BEAM 3U



V-BEAM 4U



V-BEAM 2MU



V-BEAM 3MU



V-BEAM 4MU

R5 BEAM SEATING

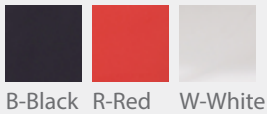
POD



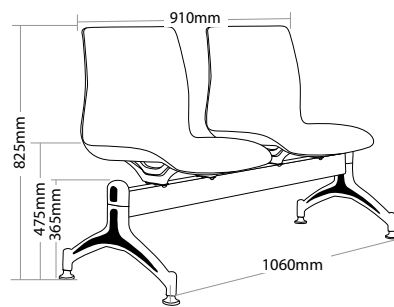
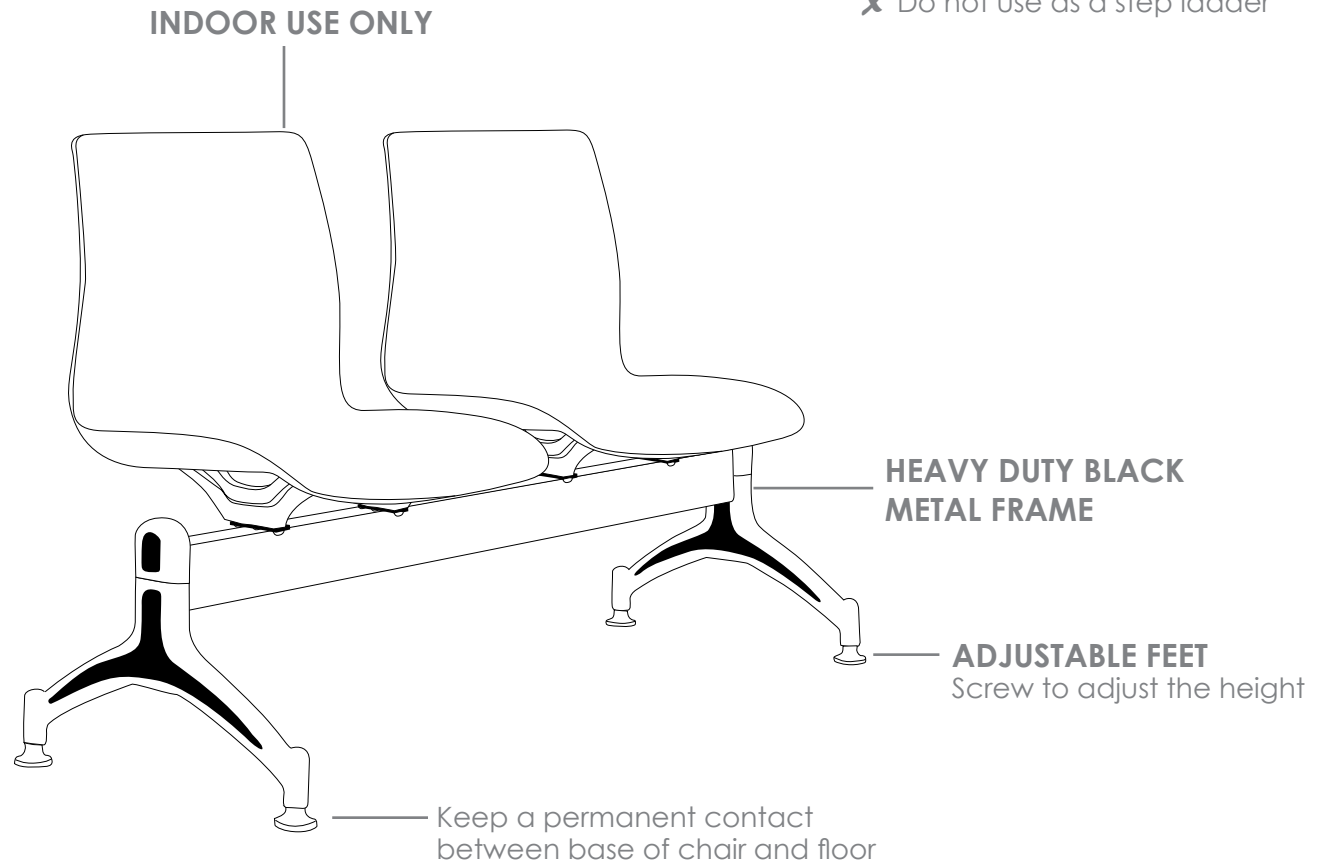
FEATURES

- » Optional 2, 3 or 4 seater
- » Heavy duty black metal beam frame
- » Adjustable feet
- » Available in local fabrics
- » Available in black, red and white plastic only
- » Suitable for indoor use
- » 4 Year warranty
- » Weight limit for 2 seater is 200kg
- » Weight limit for 3 seater is 300kg
- » Weight limit for 4 seater is 350kg

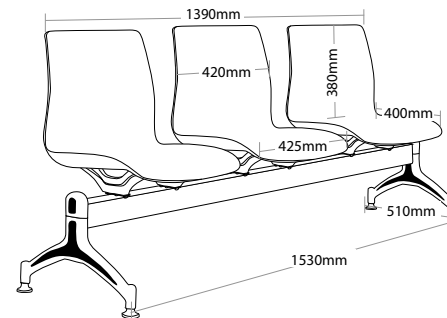
PLASTIC COLOUR



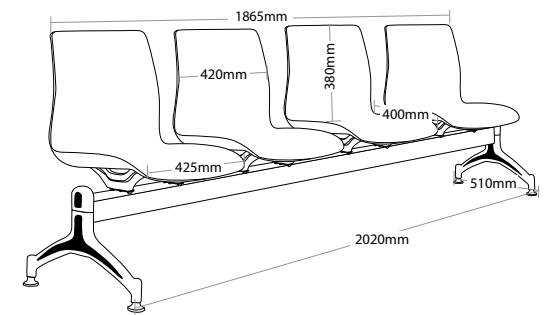
X Do not use as a step ladder



P-BEAM 2



P-BEAM 3



P-BEAM 4

POD BEAM SEATING



P-BEAM 2BU



P-BEAM 3RU



P-BEAM 4WU

R6 BREAKOUT SEATING

SMOKE

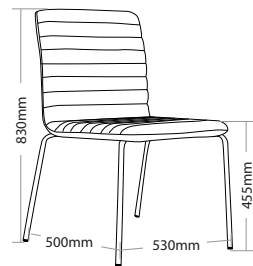
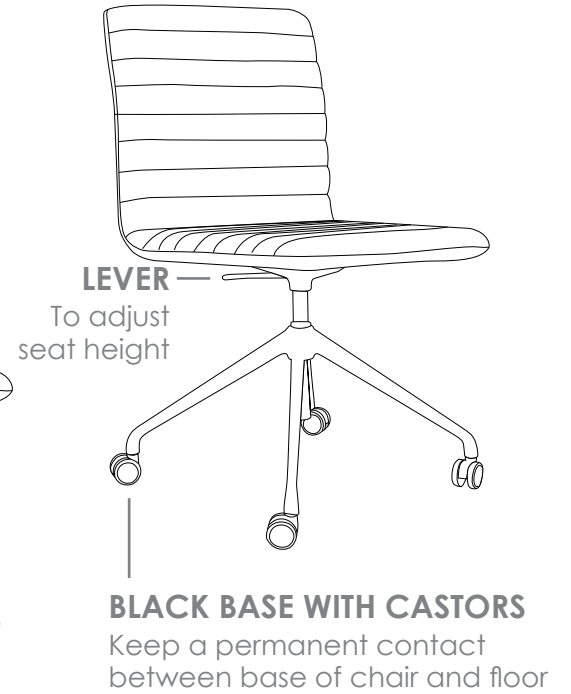


FEATURES

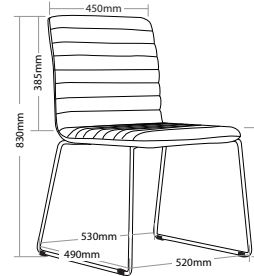
- » Adjustable seat height with 4 star base, black base and black base with castors
- » Optional chrome 4 legs frame
- » Optional sled base chrome frame
- » Optional 700mm aluminium 4 star base
- » Optional timber legs with natural finish
- » Optional timber legs with black finish
- » Optional black base with or without castors
- » Fully upholstered
- » High density foam
- » Plywood shell
- » Available in local fabrics
- » Optional frame or base colour (please allow 5 more days)
- » Suitable for indoor use only
- » 5 year warranty
- » Weight limit is 130kg

INDOOR USE ONLY

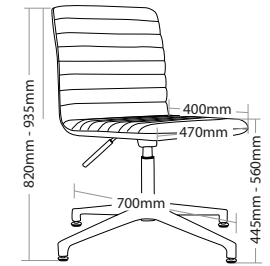
✗ Do not use as a step ladder



SMOKE-4L



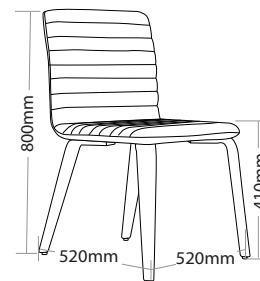
SMOKE-SB



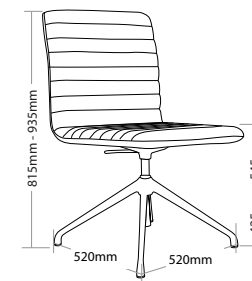
SMOKE-AB



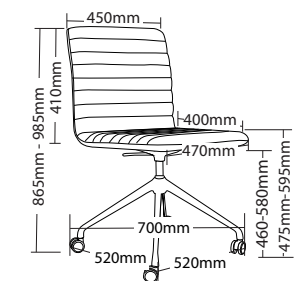
SMOKE-BL



SMOKE-NL



SMOKE-BB



SMOKE-BBC

SMOKE BREAKOUT SEATING



SMOKE-4L



SMOKE-SB



SMOKE-AB



SMOKE-NL



SMOKE-BL



SMOKE-BB



SMOKE-BBC

R6 BREAKOUT SEATING

YARD

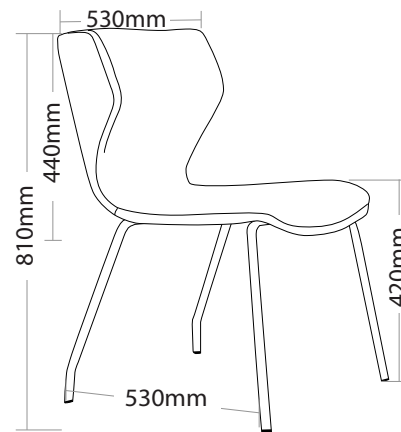
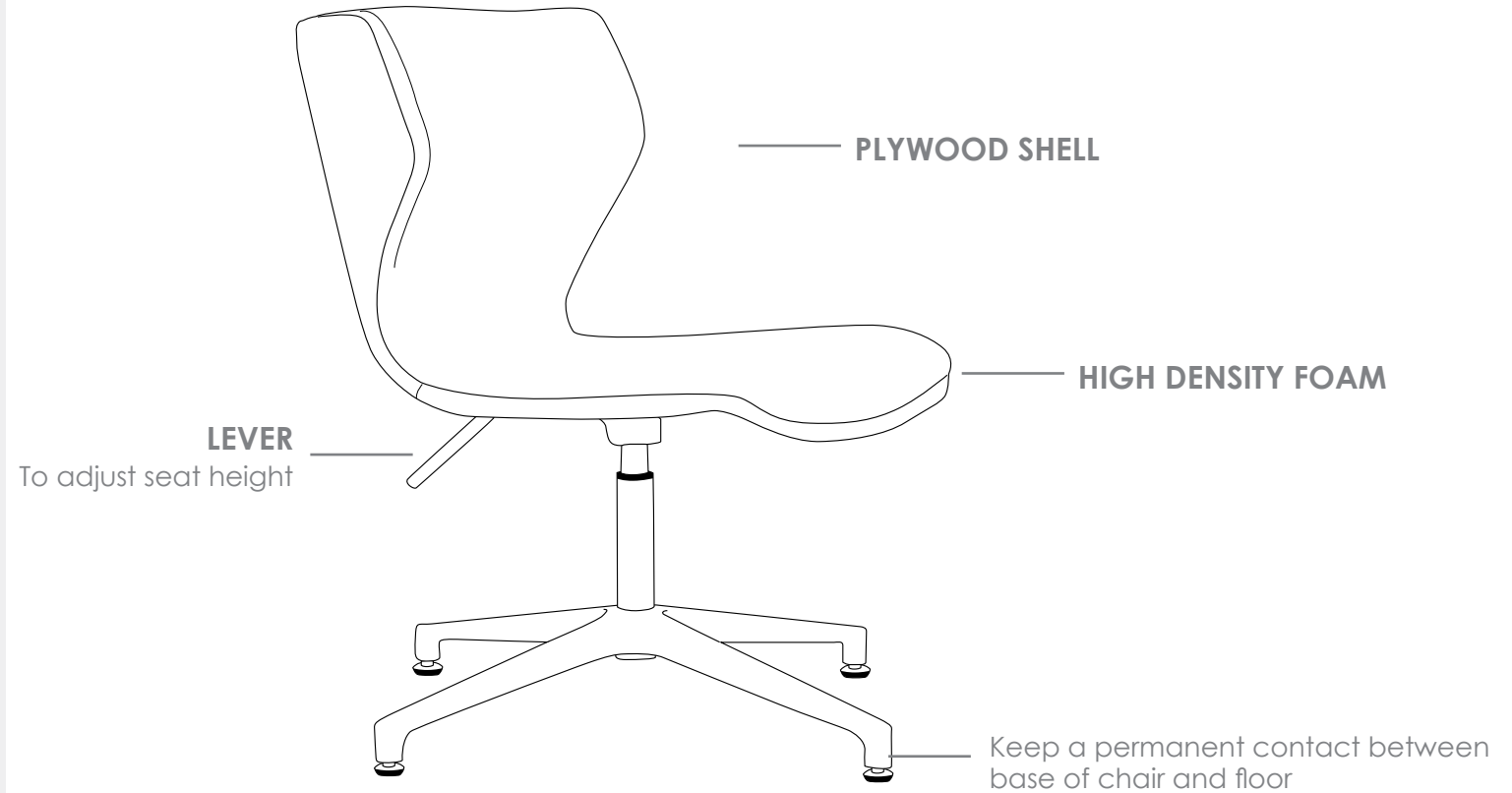


FEATURES

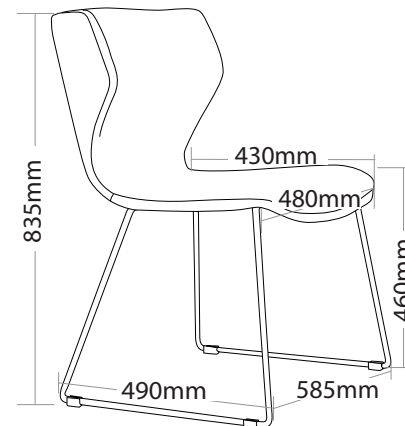
- » Adjustable seat height with 4 star base
- » Optional 660mm aluminium 4 star base
- » Optional chrome sled base
- » Optional chrome 4 legs frame
- » High density foam
- » Plywood shell
- » Available in local fabrics
- » Optional frame or base colour (please allow 5 more days)
- » Suitable for indoor use only
- » 3 year warranty
- » Weight limit is 130kg

INDOOR USE ONLY

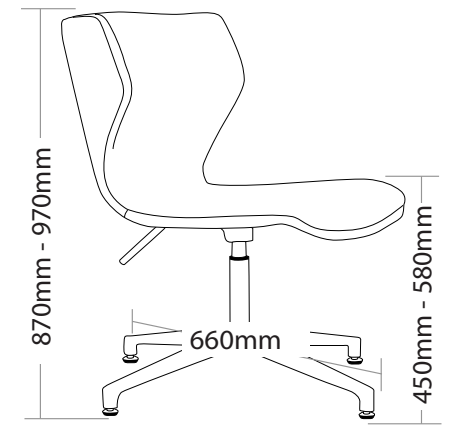
✘ Do not use as a step ladder



YARD-4L



YARD-SB



YARD-AB

YARD BREAKOUT SEATING



YARD-4L



YARD-SB



YARD-AB

R6 BREAKOUT SEATING

RIDGE

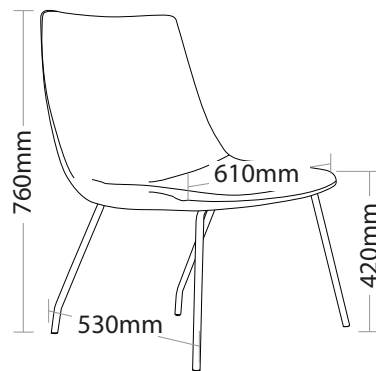
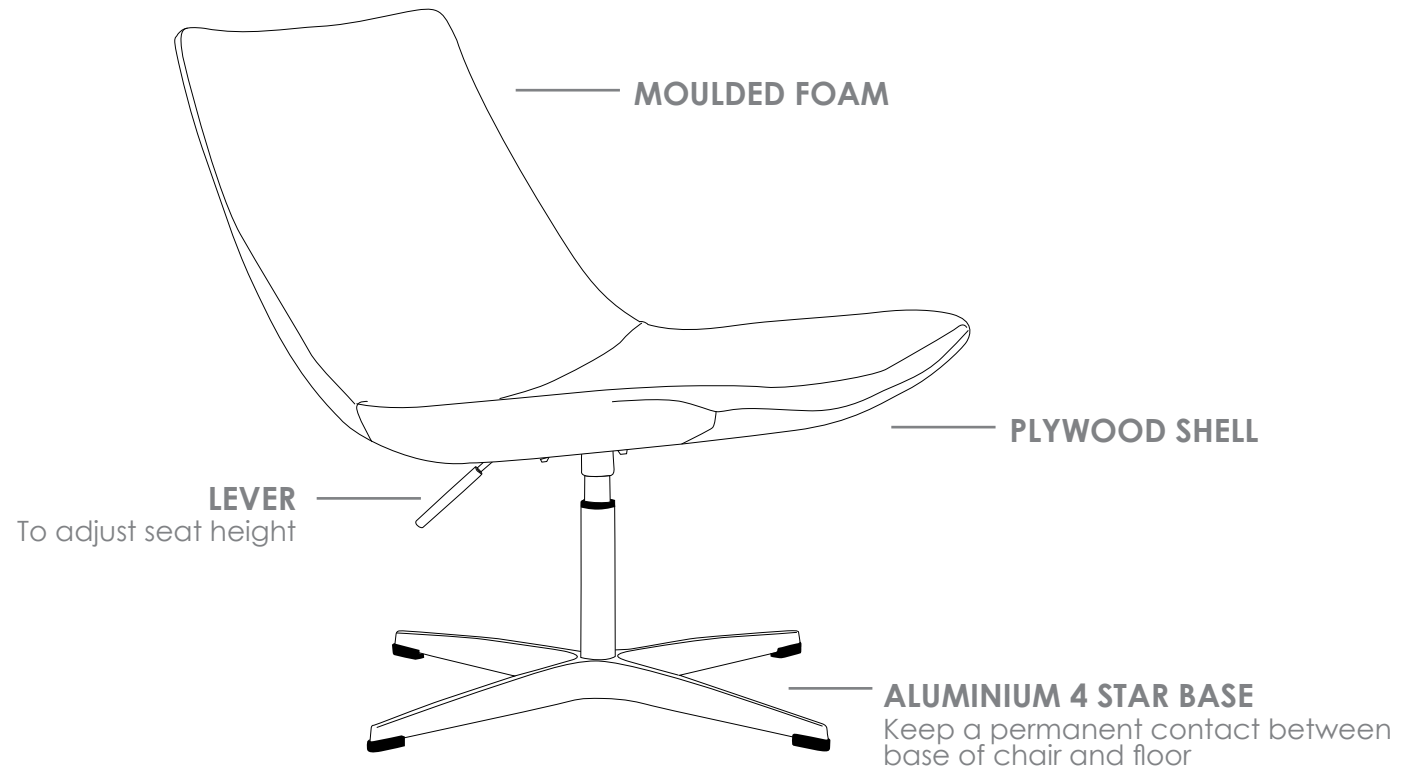


FEATURES

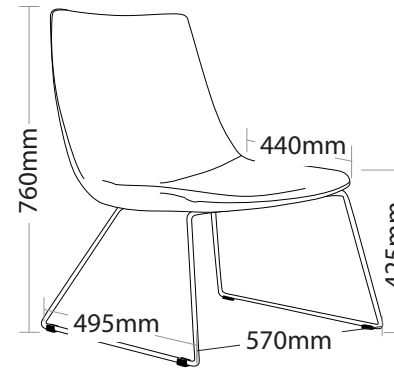
- » Adjustable seat height with 4 star base
- » Optional 680mm aluminium 4 star base
- » Optional solid rod sled chrome base
- » Optional chrome 4 legs frame
- » Moulded foam
- » Plywood shell
- » Available in local fabrics
- » Optional frame or base colour (please allow 5 more days)
- » Suitable for indoor use only
- » 5 year warranty
- » Weight limit is 130kg

INDOOR USE ONLY

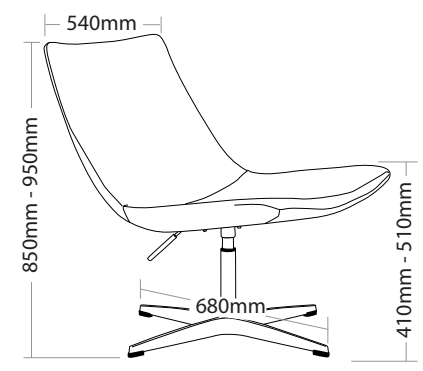
✗ Do not use as a step ladder



RIDGE-4L



RIDGE-SB



RIDGE-AB

RIDGE BREAKOUT SEATING



RIDGE-4L



RIDGE-SB



RIDGE-AB

R6 BREAKOUT SEATING

VERO

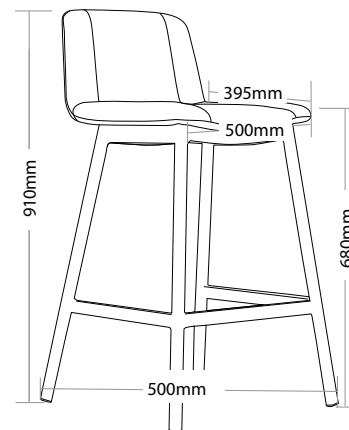
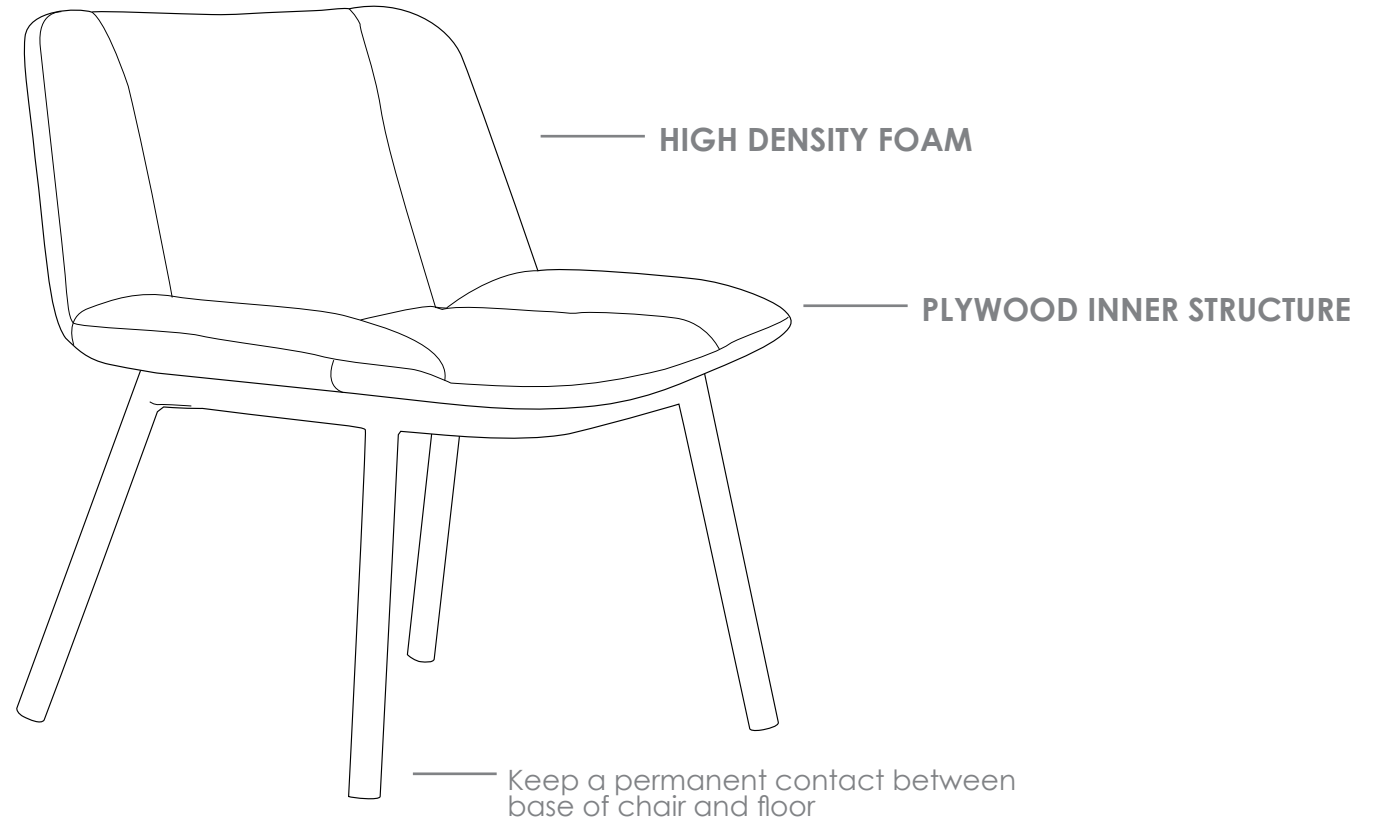


FEATURES

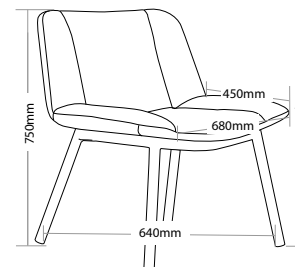
- » Optional black or timber finish
- » Plywood inner structure
- » High density foam
- » Steel frame
- » Available in local fabrics
- » Optional frame or base colour (please allow 5 more days)
- » Suitable for indoor use only
- » 5 year warranty
- » Weight limit is 130kg

INDOOR USE ONLY

X Do not use as a step ladder



VERO-ST



VERO-CH

VERO BREAKOUT SEATING



VERO-STB



VERO-STT



VERO-CHB



VERO-CHT

R6 BREAKOUT SEATING

GOLD

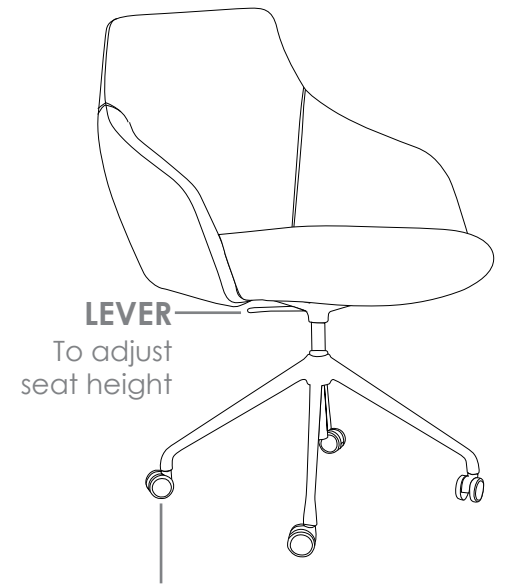


FEATURES

- » Adjustable seat height with 4 star base, black base and black base with castors
- » Optional chrome sled base
- » Optional chrome 4 leg frame
- » Optional 700mm aluminium 4 star base
- » Optional timber legs with natural finish
- » Optional timber legs with black finish
- » Optional black base with or without castors
- » High density foam
- » Plywood shell
- » Available in local fabrics
- » Optional frame or base colour (please allow 5 more days)
- » Suitable for indoor use only
- » 5 year warranty
- » Weight limit is 130kg

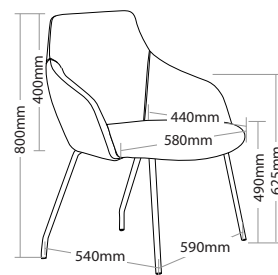
INDOOR USE ONLY

X Do not use as a step ladder

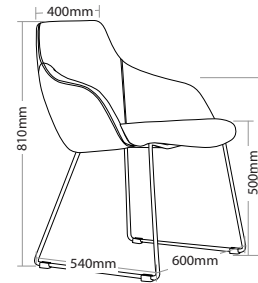


BLACK BASE WITH CASTORS
Keep a permanent contact between base of chair and floor

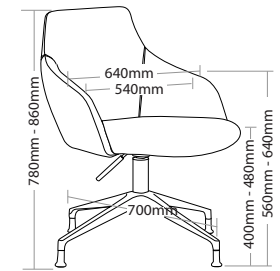
Keep a permanent contact between base of chair and floor



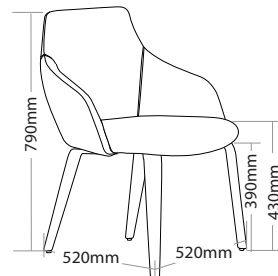
GOLD-4L



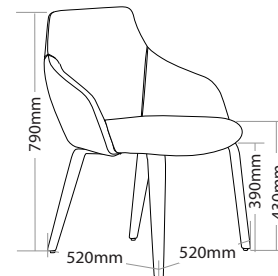
GOLD-SB



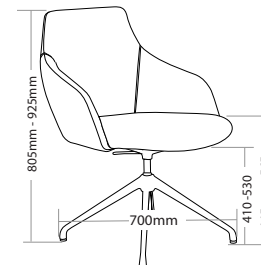
GOLD-AB



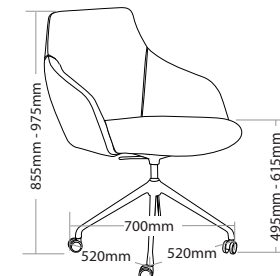
GOLD-BL



GOLD-NL



GOLD-BB



GOLD-BBC

GOLD BREAKOUT SEATING



GOLD-4L



GOLD-SB



GOLD-AB



GOLD-NL



GOLD-BL



GOLD-BB



GOLD-BBC

R6 BREAKOUT SEATING

JUNE

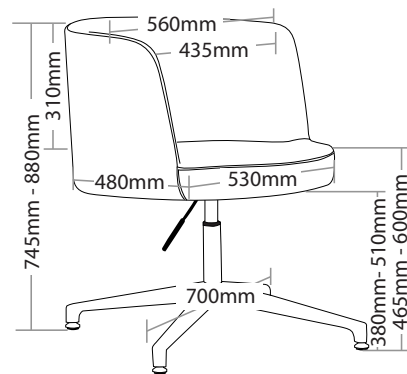
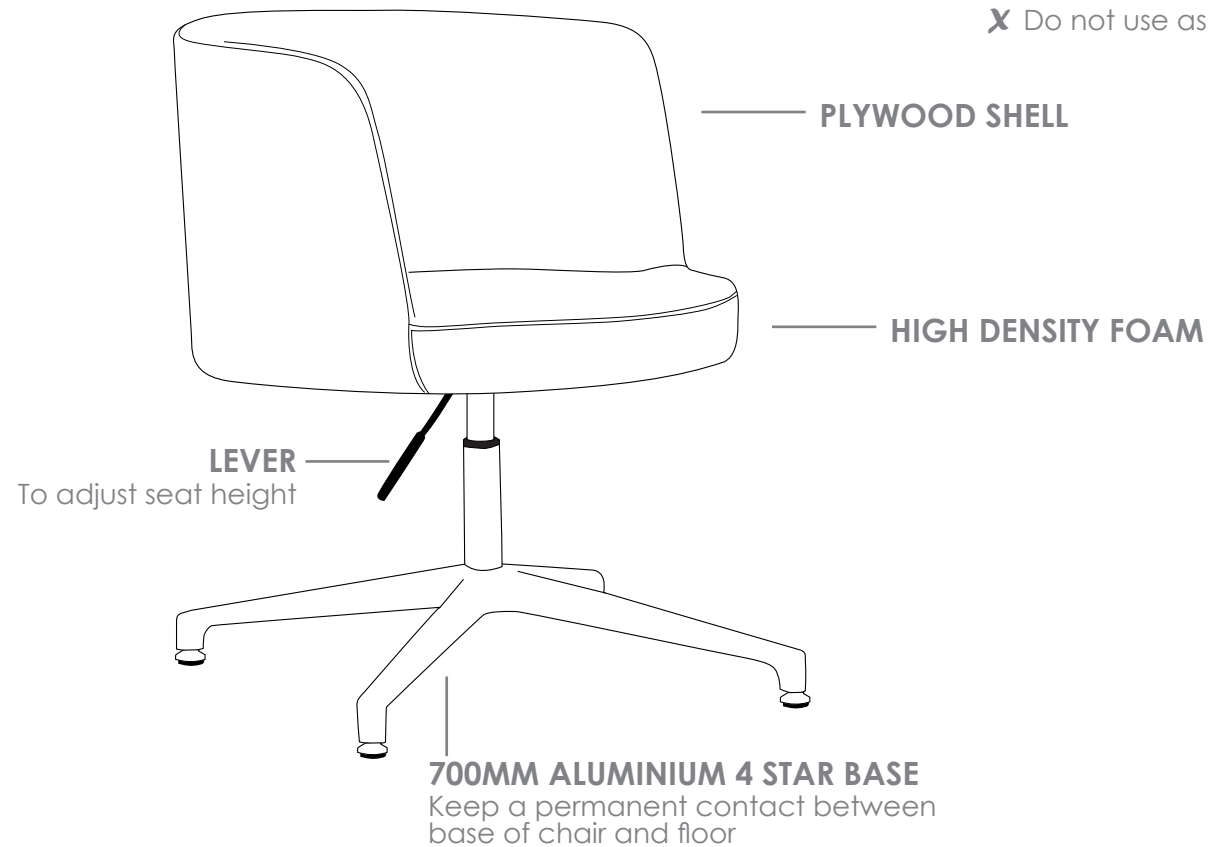


FEATURES

- » Adjustable seat height
- » High density foam
- » 700mm aluminium 4 star base
- » Plywood shell
- » Available in local fabrics
- » Optional frame or base colour (please allow 5 more days)
- » Suitable for indoor use
- » 5 Year warranty
- » Weight limit is 120kg

INDOOR USE ONLY

✗ Do not use as a step ladder



JUNE

JUNE BREAKOUT SEATING



JUNE



SIDE VIEW



BACK VIEW

R6 BREAKOUT SEATING

TIME

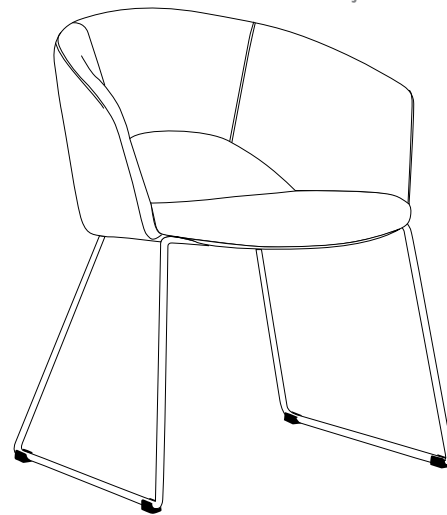


FEATURES

- » Adjustable seat height with black base and black base with castors
- » Optional solid rod base sled chrome frame
- » Optional timber legs with natural finish
- » Optional timber legs with black finish
- » Optional black base with or without castors
- » High density foam
- » Moulded back foam
- » Plywood shell
- » Available in local fabrics
- » Optional frame or base colour (please allow 5 more days)
- » Suitable for indoor use only
- » 5 year warranty
- » Weight limit is 120kg

INDOOR USE ONLY

X Do not use as a step ladder



LEVER

To adjust seat height

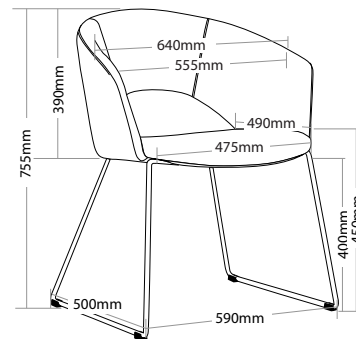
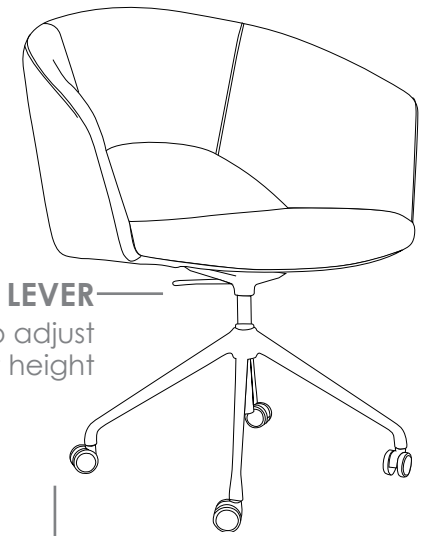
Keep a permanent contact between base of chair and floor



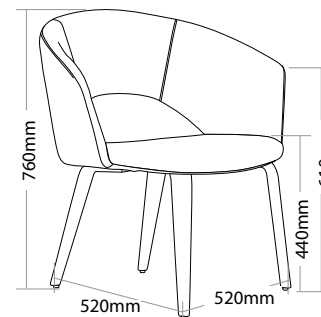
LEVER

To adjust seat height

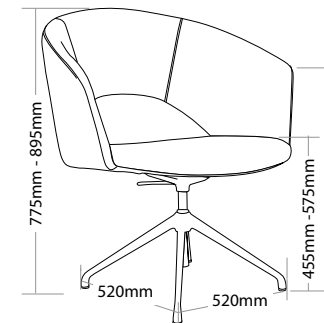
BLACK BASE WITH CASTORS
Keep a permanent contact between base of chair and floor



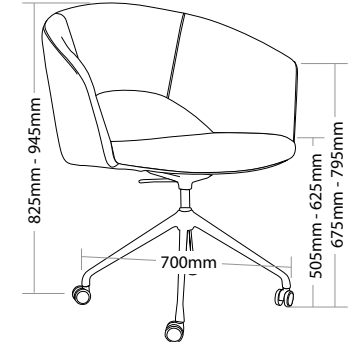
TIME



TIME-BL/NL



TIME-BB



TIME-BBC

TIME BREAKOUT SEATING



TIME-U



TIME-NL



TIME-BL



TIME-BB



TIME-BBC

R6 BREAKOUT SEATING

OPERA

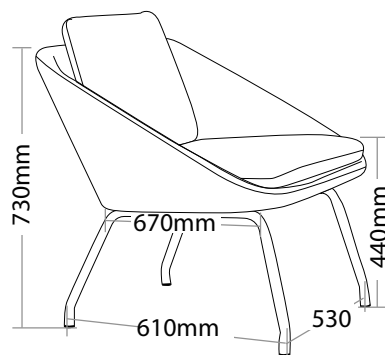
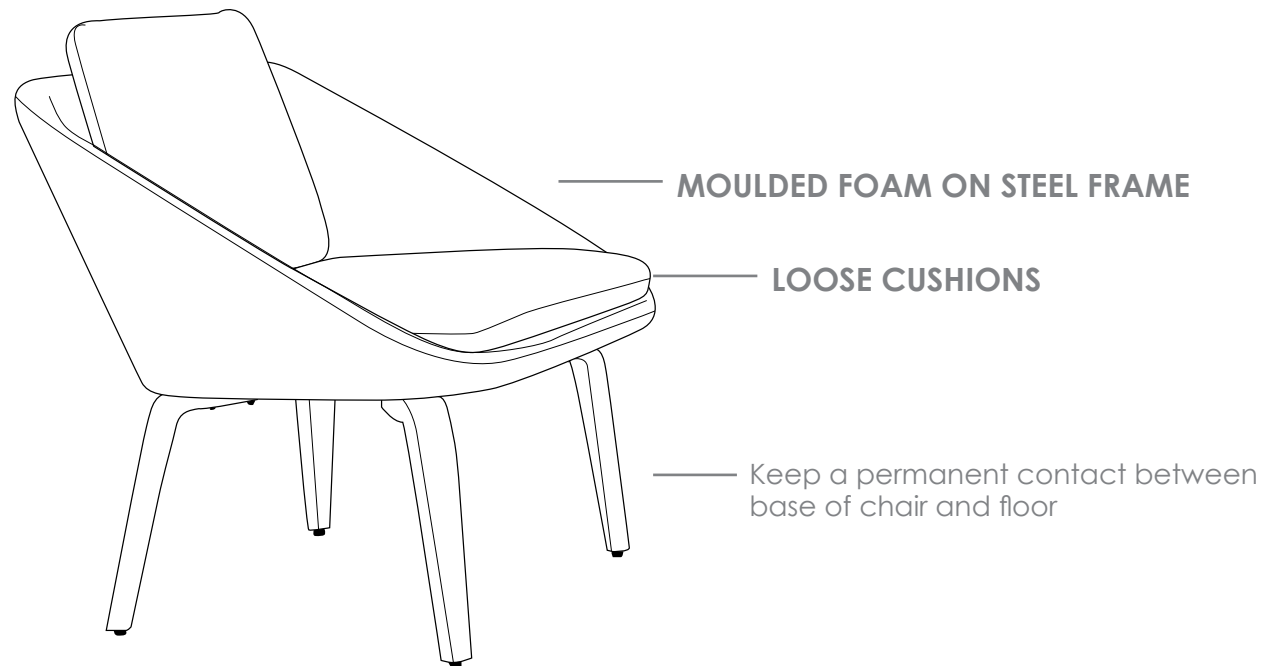


FEATURES

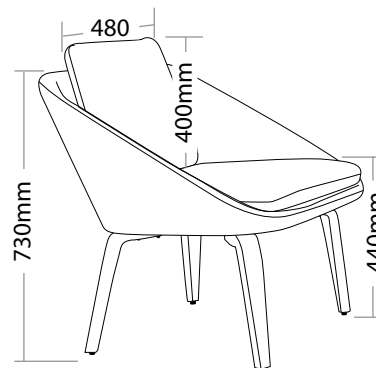
- » Optional timber legs
- » Optional 700mm high arch aluminium 4 star base
- » Optional chrome 4 leg frame
- » Loose back and seat cushions
- » Moulded foam on steel frame
- » Available in local fabrics
- » Optional frame or base colour (please allow 5 more days)
- » Suitable for indoor use only
- » 5 year warranty
- » Weight limit is 120kg

INDOOR USE ONLY

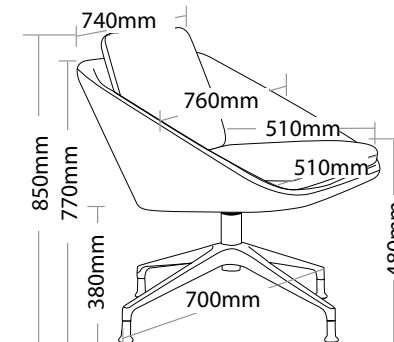
✗ Do not use as a step ladder



OPERA-4L



OPERA-TL



OPERA-AB

OPERA BREAKOUT SEATING



OPERA-4L



OPERA-TL



OPERA-AB

R6 BREAKOUT SEATING

LEAF



FEATURES

LEAF-L/LEAF-H FEATURES

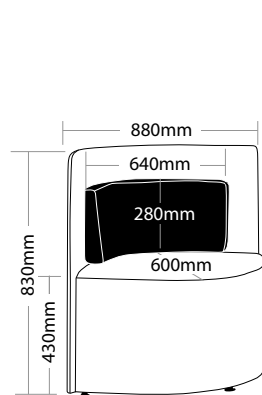
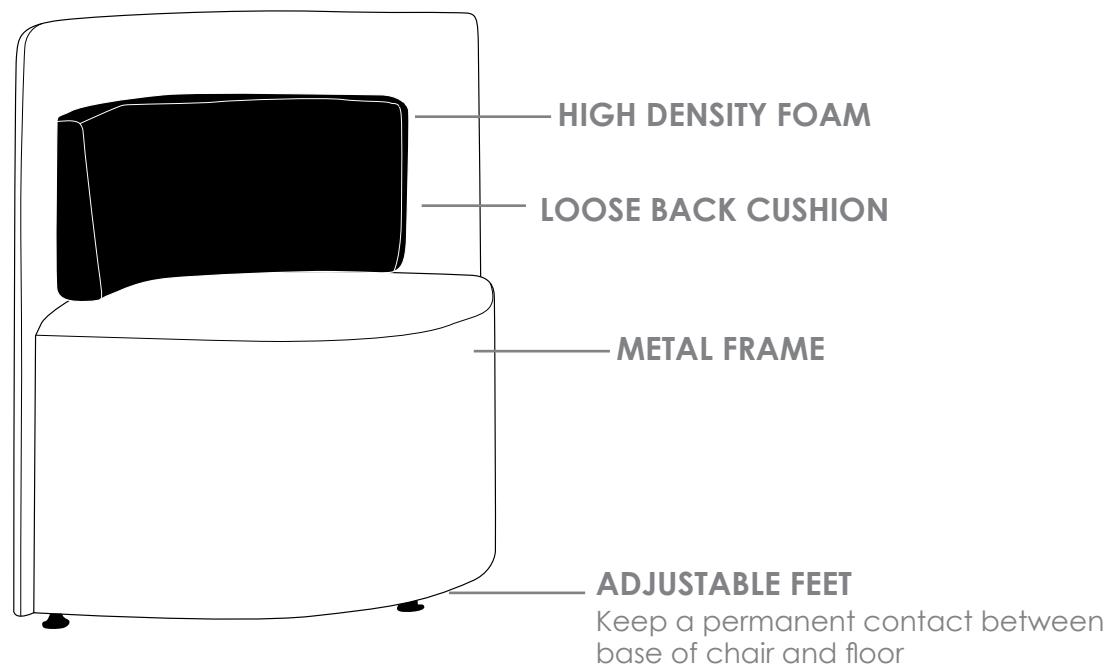
- » Available in high and low back
- » High density foam
- » Loose back cushion
- » Metal frame
- » Adjustable feet
- » Available in local fabrics
- » Suitable for indoor use only
- » 3 year warranty
- » Weight limit is 120kg

TABLE FEATURES

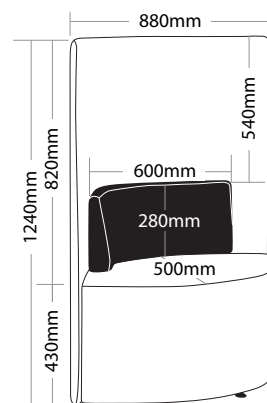
- » MDF white top
- » Chrome frame
- » 3 year warranty

INDOOR USE ONLY

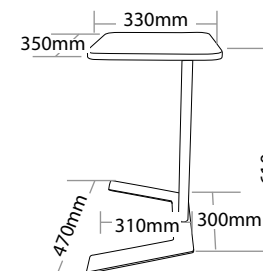
✘ Do not use as a step ladder



LEAF-L



LEAF-H



LEAF-T

LEAF BREAKOUT SEATING



LEAF-L



LEAF-H



LEAF-T



TOP VIEW



GROUP

R7 OTTOMANS

PLAY

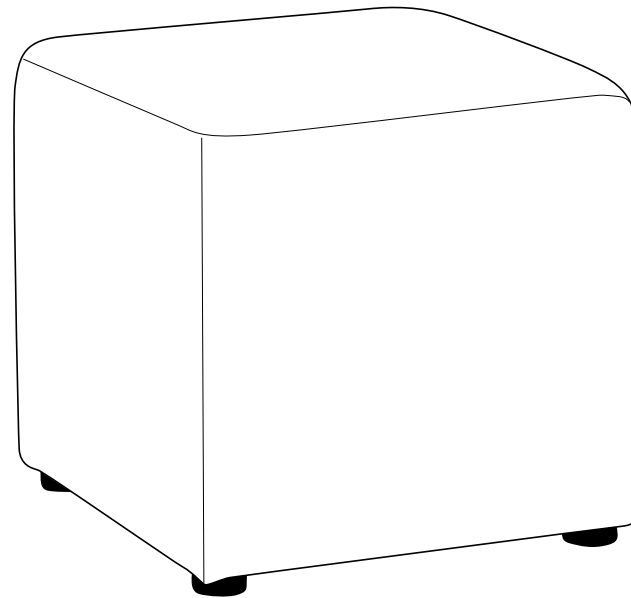


FEATURES

- » Available in 2 options only
- » High density foam
- » Solid timber frame
- » Plastic legs
- » Available in local fabrics
- » Suitable for indoor use only
- » 3 year warranty
- » Weight limit is 120kg

INDOOR USE ONLY

✘ Do not use as a step ladder

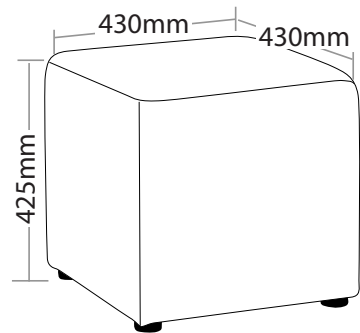


— SOLID TIMBER FRAME

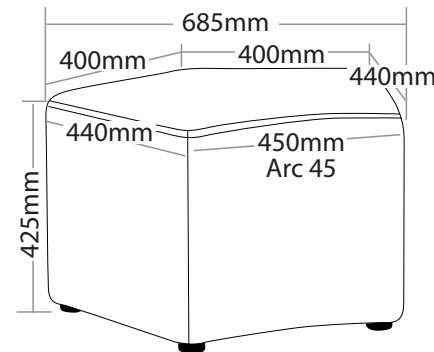
— HIGH DENSITY FOAM

— PLASTIC LEGS

Keep a permanent contact between base of chair and floor



PLAY-1



PLAY-2

PLAY



PLAY-1



PLAY-2



GROUP

R7 OTTOMANS

OLA

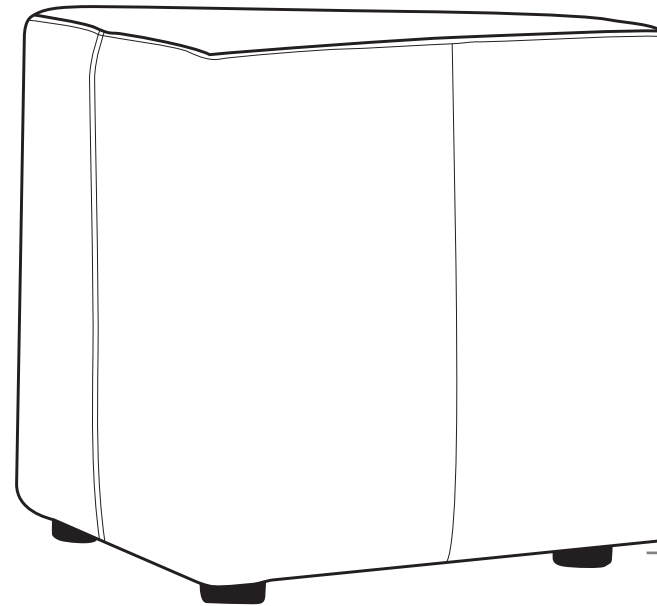


FEATURES

- » Available in triangle, round and square shape
- » High density foam
- » Solid timber frame
- » Plastic legs
- » Available in local fabrics
- » Suitable for indoor use only
- » 3 year warranty
- » Weight limit is 120kg

INDOOR USE ONLY

✘ Do not use as a step ladder

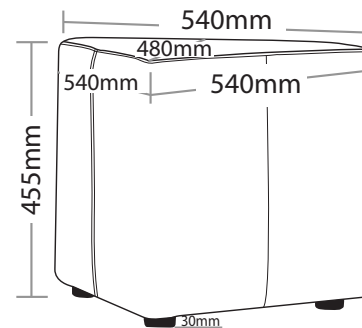


SOLID TIMBER FRAME

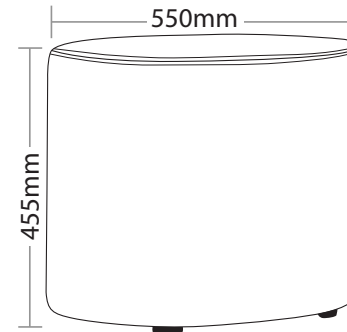
HIGH DENSITY FOAM

PLASTIC LEGS

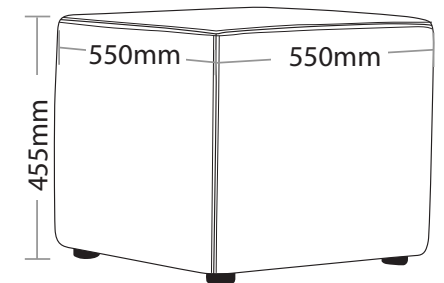
Keep a permanent contact between base of chair and floor



OLA-T



OLA-R



OLA-S

OLA



OLA-T



OLA-R



OLA-S

R7 OTTOMANS

CLIP

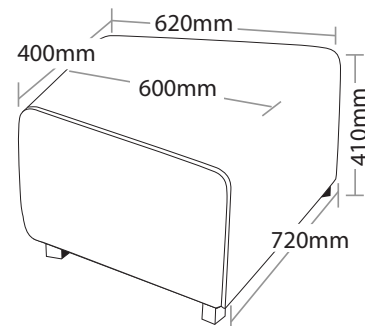
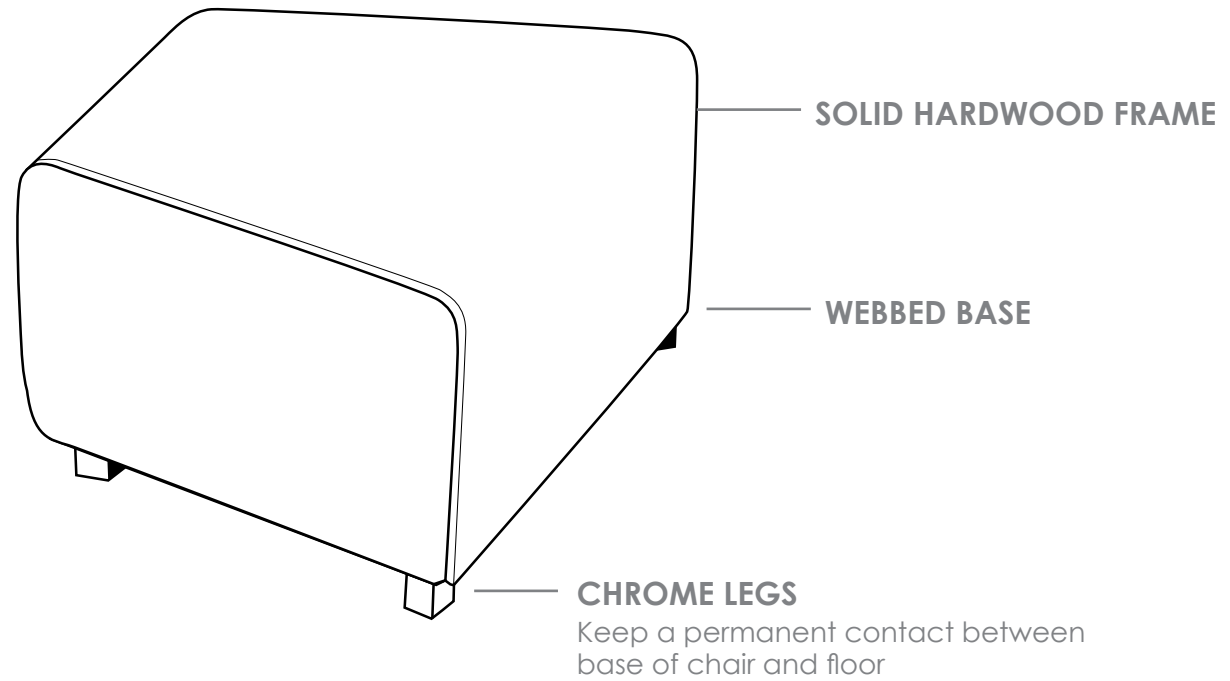


FEATURES

- » Zig zag steel spring
- » Solid hardwood frame
- » Webbed base
- » Chrome legs
- » Available in local fabrics
- » Optional frame or base colour (please allow 5 more days)
- » Suitable for indoor use only
- » 3 year warranty
- » Weight limit is 130kg

INDOOR USE ONLY

✘ Do not use as a step ladder



CLIP

CLIP



CLIP



GROUP



R7 OTTOMANS

IMPRESS



FEATURES

IMPRESS FEATURES

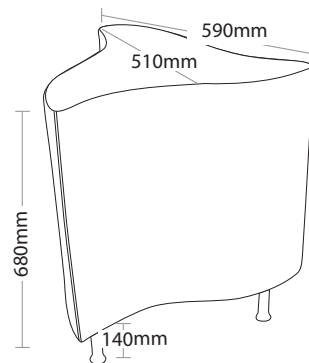
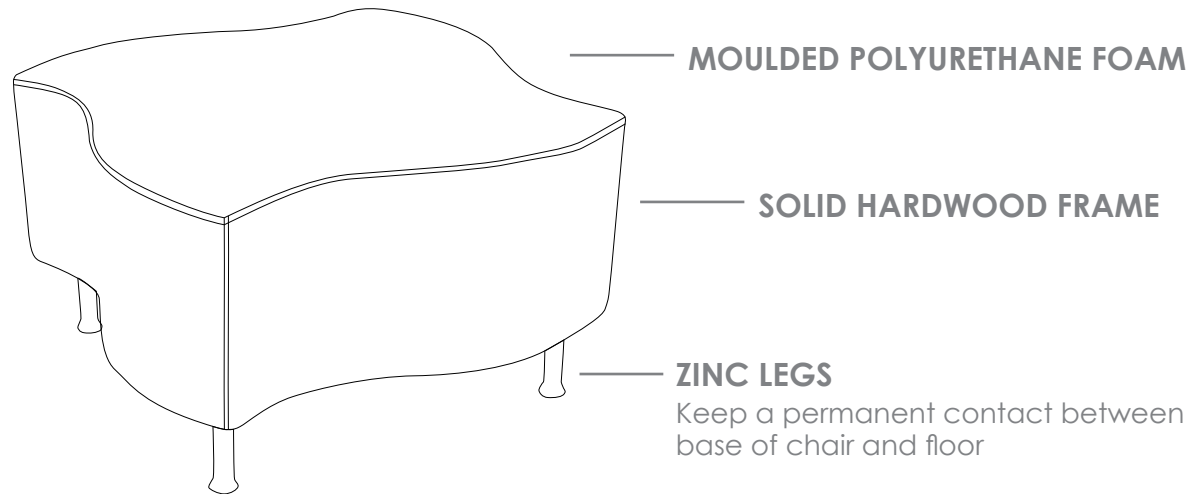
- » Available in 2 options only
- » Moulded polyurethane foam
- » Solid hardwood frame
- » Zinc legs
- » Available in local fabrics
- » Optional frame or base colour (please allow 5 more days)
- » Suitable for indoor use only
- » 3 year warranty
- » Weight limit is 130kg

IMPRESS TABLE FEATURES

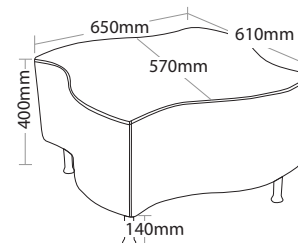
- » 8mm Tempered glass top
- » Chrome legs
- » Optional frame or base colour (please allow 5 more days)
- » Suitable for indoor use only
- » 3 year warranty

INDOOR USE ONLY

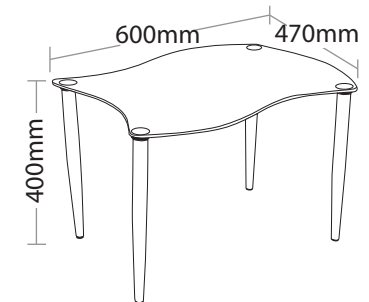
✘ Do not use as a step ladder



IMPRESS-1



IMPRESS-2



IMPRESS-T

IMPRESS



IMPRESS-1



IMPRESS-2



IMPRESS-T



GROUP

R7 OTTOMANS

RADIUS

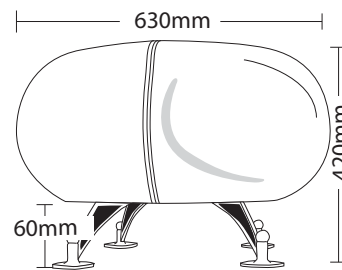
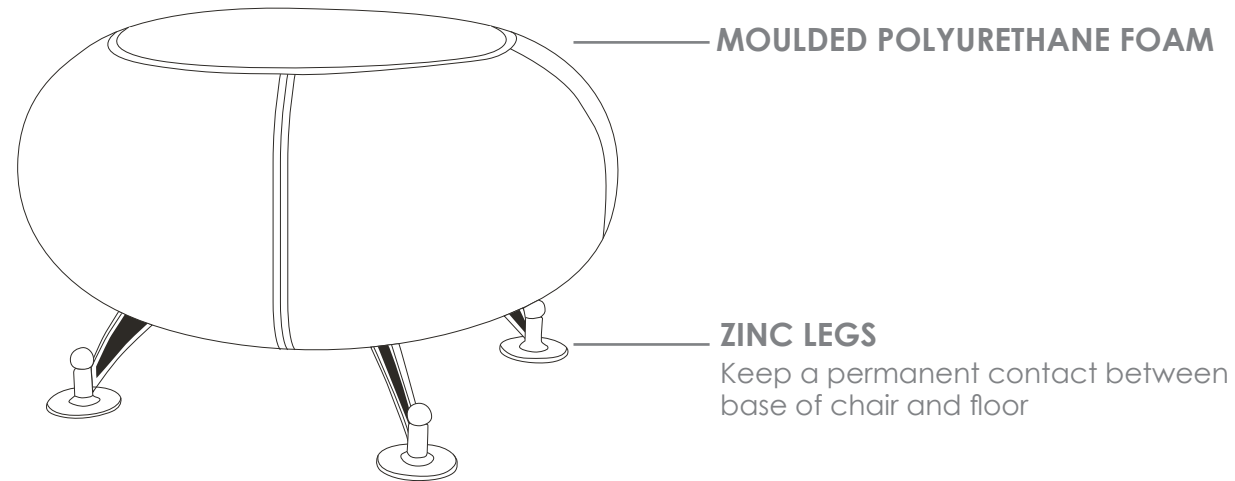


FEATURES

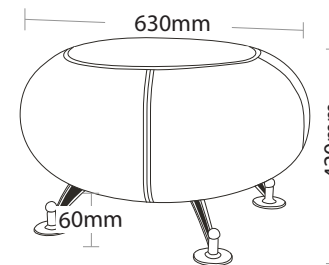
- » Available in 2 options only
- » Moulded polyurethane foam
- » Zinc legs
- » Available in local fabrics
- » Optional frame or base colour (please allow 5 more days)
- » Suitable for indoor use only
- » 3 year warranty
- » Weight limit is 130kg

INDOOR USE ONLY

✘ Do not use as a step ladder



RADIUS-1



RADIUS-2

RADIUS



RADIUS-1



RADIUS-2



GROUP

R8 BARS STOOLS

GAMMA, LIFT, VEGAS AND FLOW



FEATURES

GAMMA/ VEGAS FEATURES

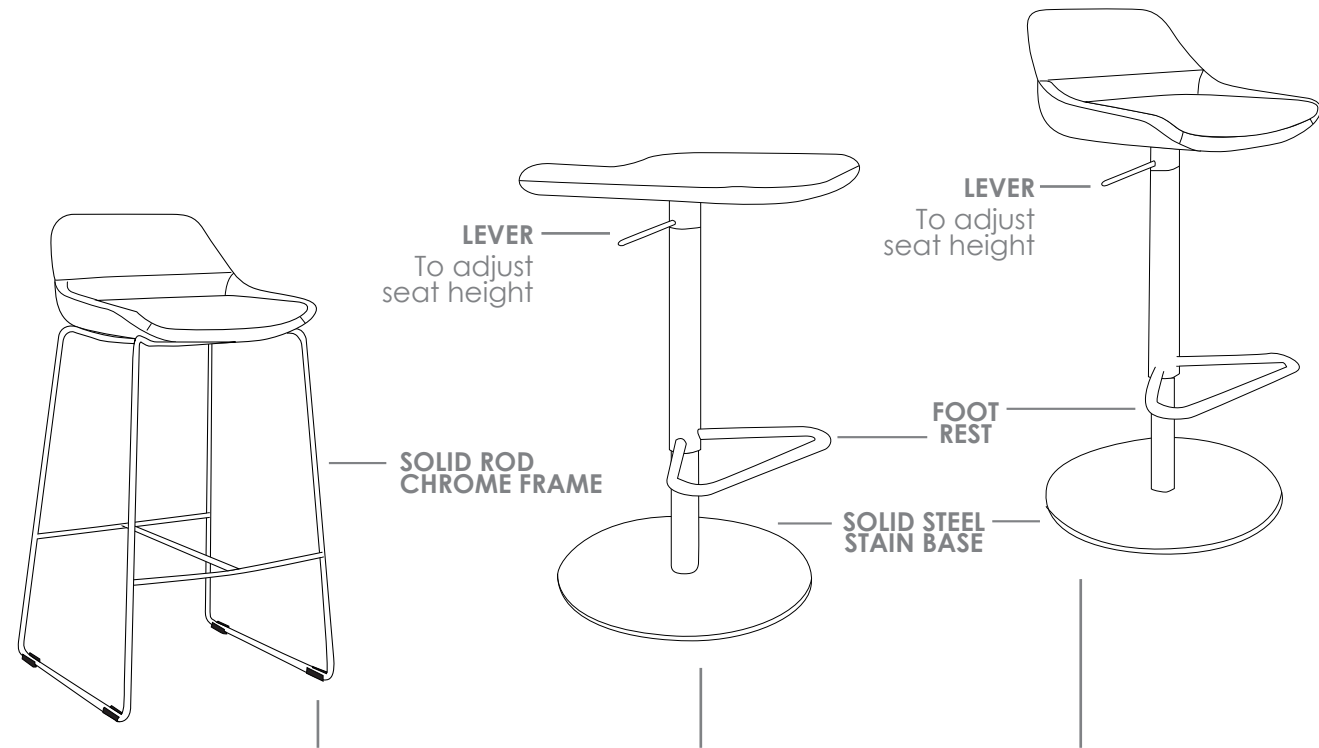
- » Solid rod chrome frame
- » Available in local fabrics
- » Optional frame or base colour (please allow 5 more days)
- » Suitable for indoor use only
- » 4 year warranty
- » Weight limit is 120kg

LIFT/ FLOW FEATURES

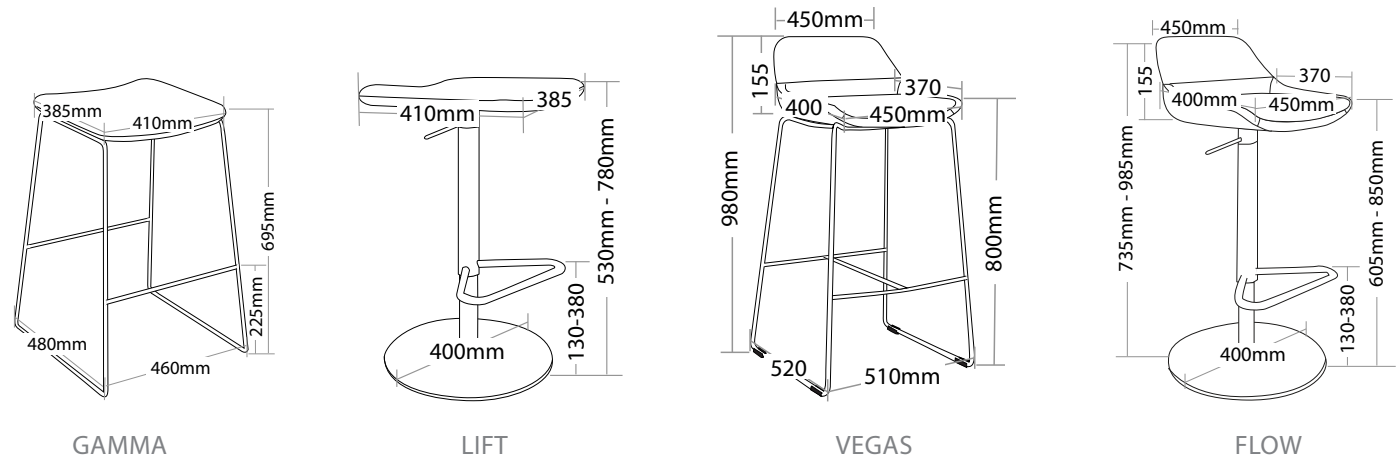
- » Adjustable seat height
- » Solid steel stain base
- » Foot rest
- » Available in local fabrics
- » Suitable for indoor use only
- » 4 year warranty
- » Weight limit is 120kg

INDOOR USE ONLY

X Do not use as a step ladder



Keep a permanent contact between base of chair and floor



GAMMA, LIFT, VEGAS AND FLOW BARS STOOLS



GAMMA



LIFT



VEGAS



FLOW

R9 SOFT SEATING

BLITZ

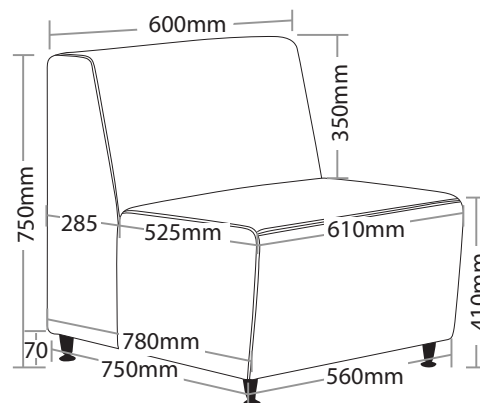
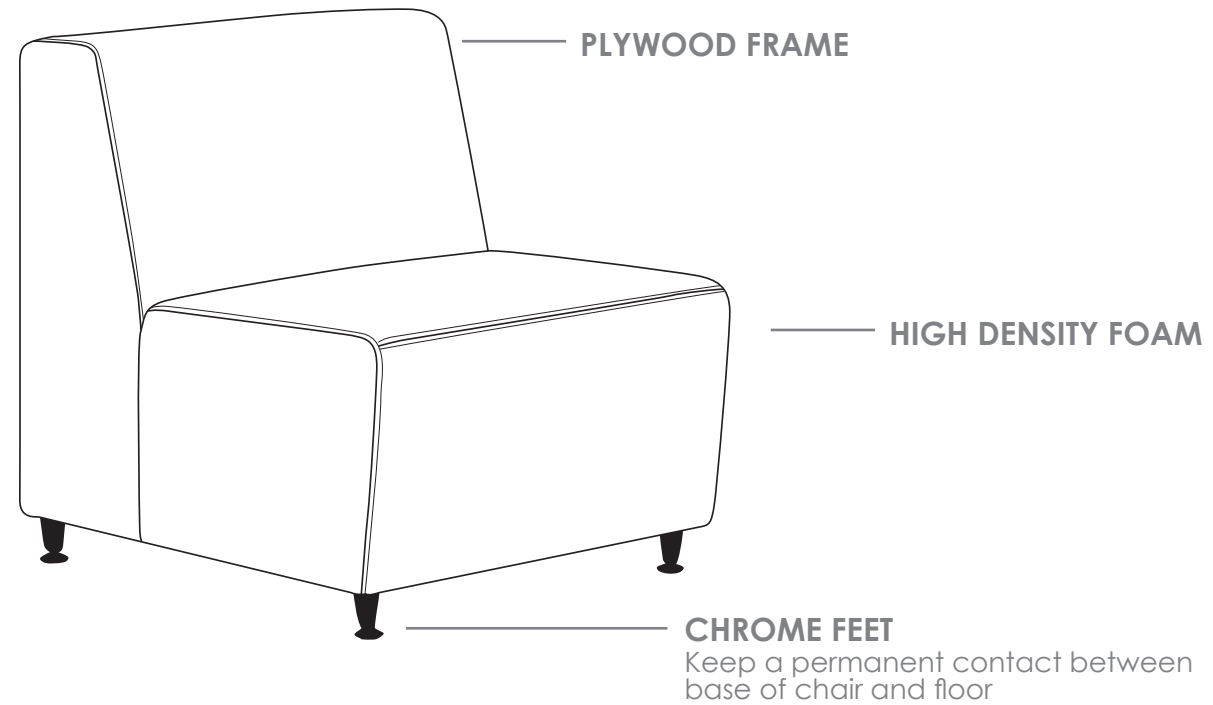


FEATURES

- » High density foam
- » Zig zag steel spring
- » Plywood frame
- » Chrome feet
- » Available in local fabrics
- » Optional frame or base colour (please allow 5 more days)
- » Suitable for indoor use only
- » 5 year warranty
- » Weight limit is 120kg

INDOOR USE ONLY

✗ Do not use as a step ladder



BLITZ-U

BLITZ SOFT SEATING



BLITZ-U



SIDE VIEW



BACK VIEW

TWIST

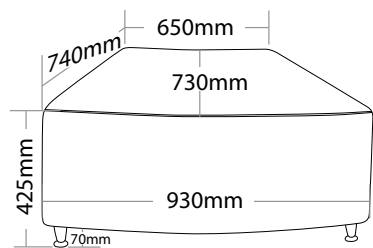
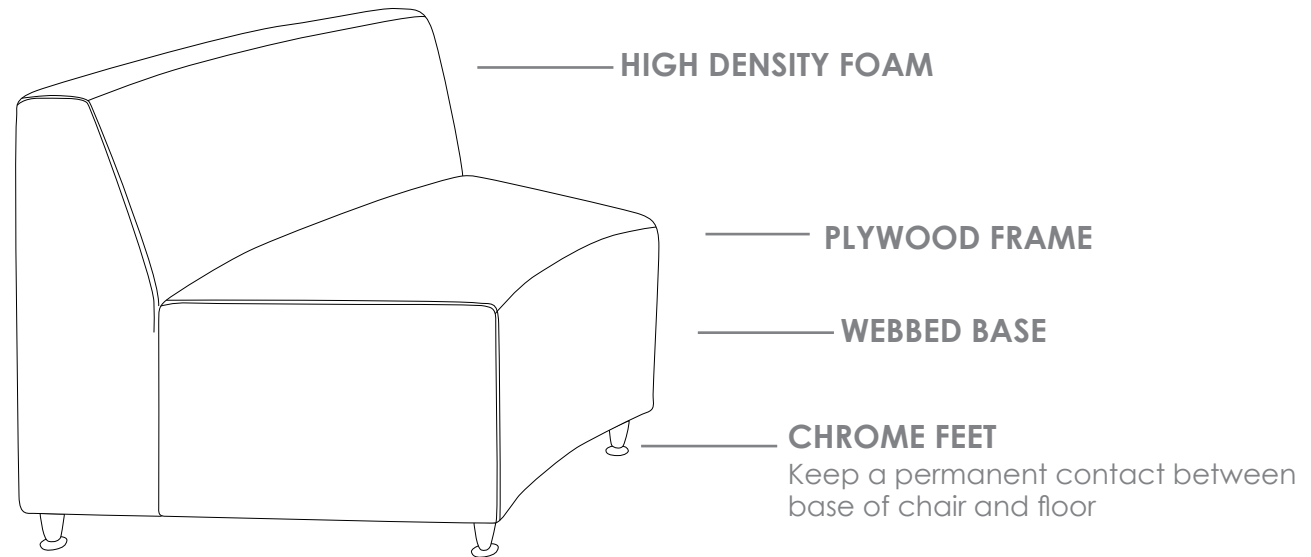


FEATURES

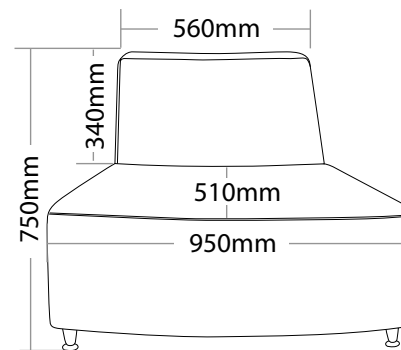
- » Available in 3 options only
- » High density foam
- » Plywood frame
- » Webbed base
- » Chrome feet
- » Available in local fabrics
- » Optional frame or base colour (please allow 5 more days)
- » Suitable for indoor use only
- » 3 year warranty
- » Weight limit is 120kg

INDOOR USE ONLY

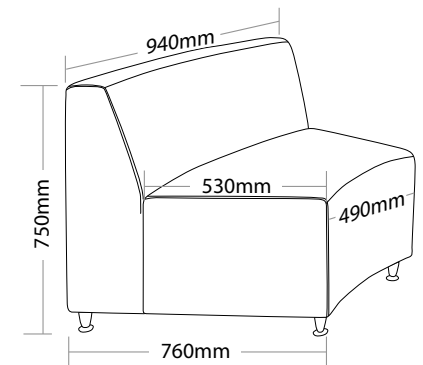
✘ Do not use as a step ladder



TWIST-OT



TWIST-SO



TWIST-SI

TWIST SOFT SEATING



TWIST-OT



TWIST-SO



TWIST-SI



GROUP

R9 SOFT SEATING

ROXA

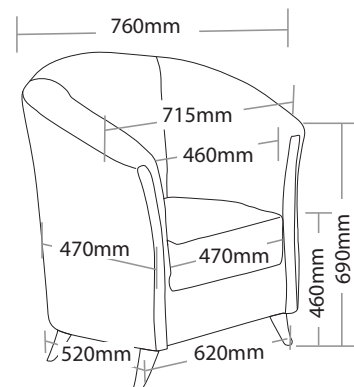
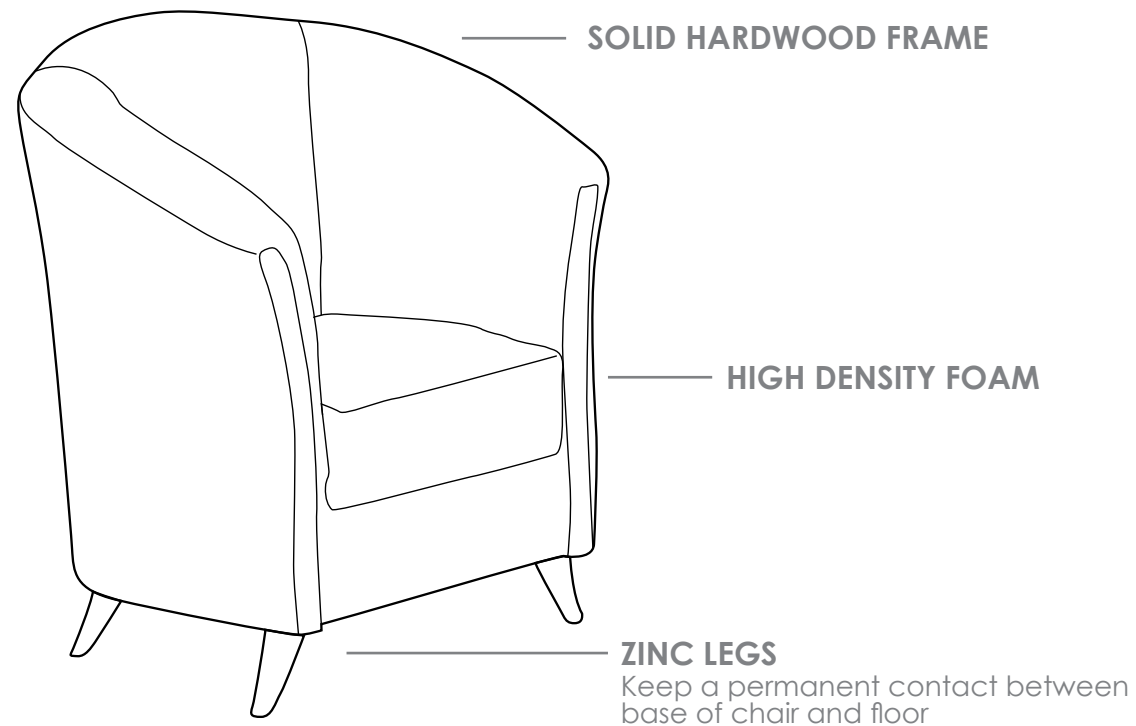


FEATURES

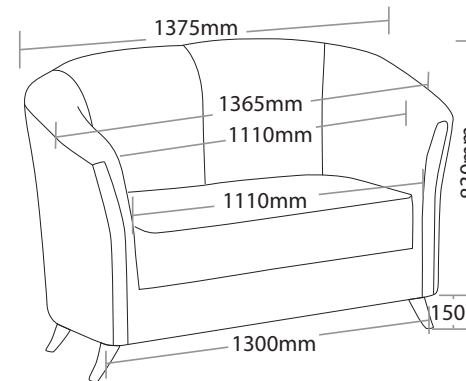
- » Optional 1 or 2 seater
- » High density foam
- » Solid hardwood frame
- » Zinc legs
- » Available in local fabrics
- » Suitable for indoor use
- » 5 year warranty
- » Weight limit for 1 seater is 130kg
- » Weight limit for 2 seater is 260kg

INDOOR USE ONLY

✗ Do not use as a step ladder



ROXA-1



ROXA-2

ROXA SOFT SEATING



ROXA-1



ROXA-2

R9 SOFT SEATING

MONTAGE

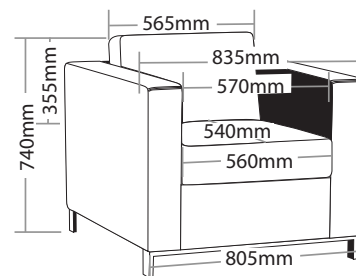
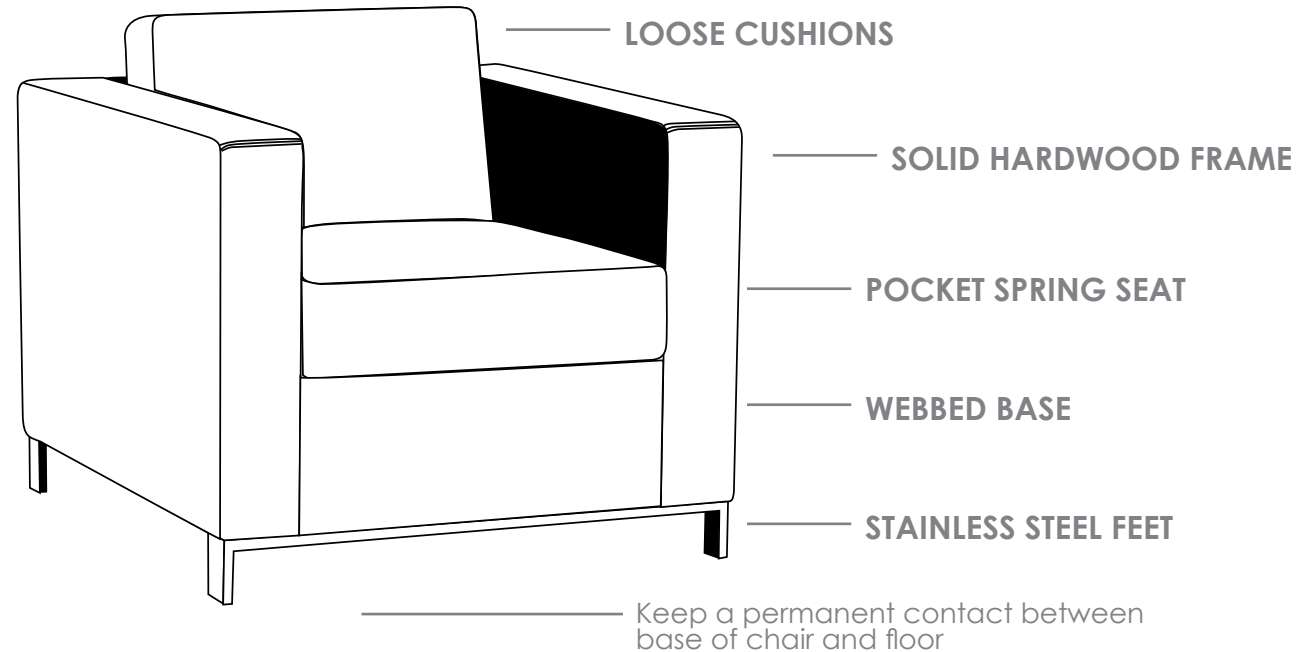


FEATURES

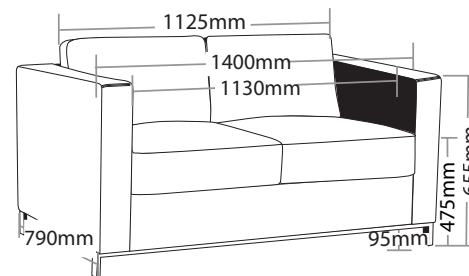
- » Optional 1, 2 or 3 seater
- » Pocket spring seat
- » Loose cushions upholstered both sides
- » Zig zag steel spring
- » Webbed base
- » Solid hardwood frame
- » Stainless steel feet
- » Available in all local fabrics
- » Optional frame or base colour (please allow 5 more days)
- » Suitable for indoor use
- » 5 year warranty
- » Weight limit for 1 seater is 130kg
- » Weight limit for 2 seater is 260kg
- » Weight limit for 3 seater is 390kg

INDOOR USE ONLY

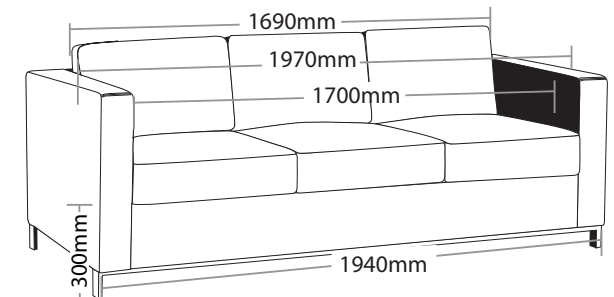
✗ Do not use as a step ladder



MO-1S



MO-2S



MO-3S

MONTAGE SOFT SEATING



MO-15



MO-25



MO-35

R9 SOFT SEATING

SHELL

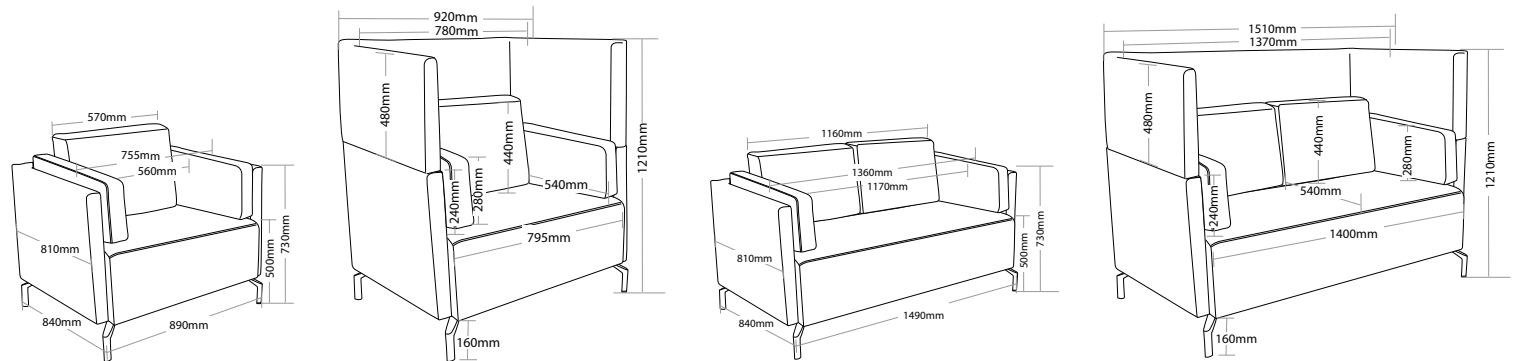
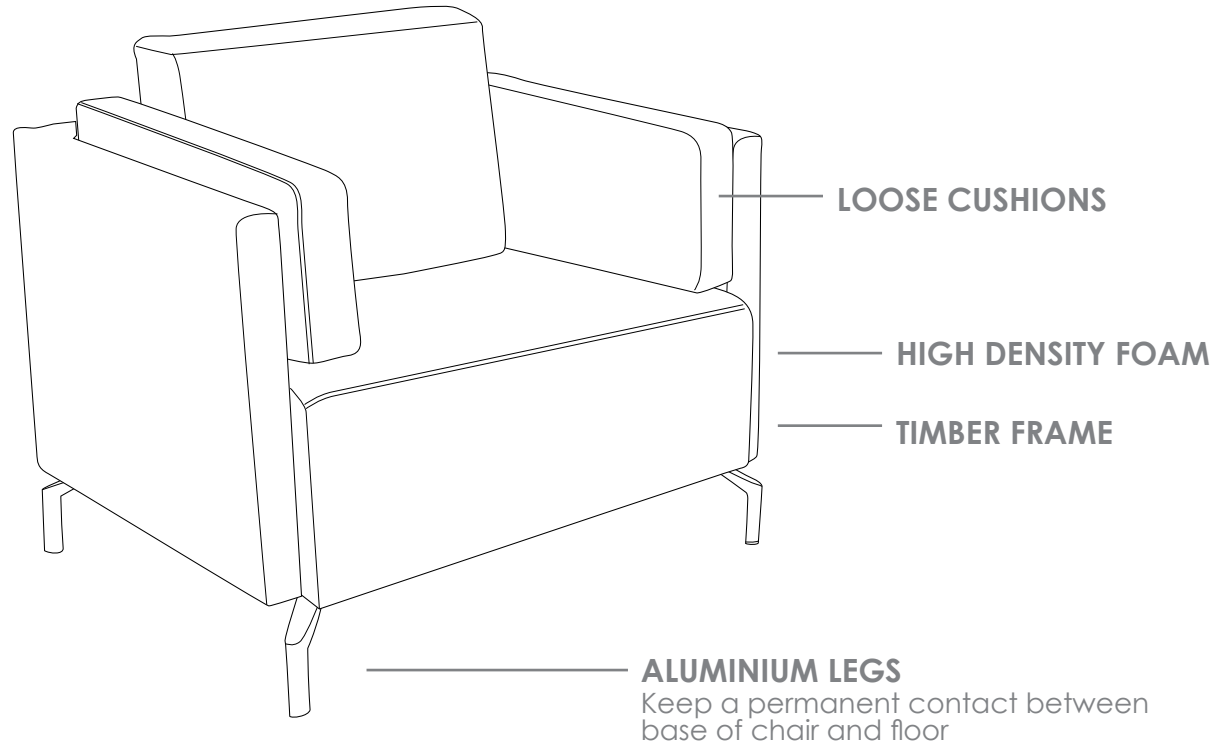


FEATURES

- » Australian made
- » Available in 1 or 2 seater (custom size available, please contact office)
- » High density foam
- » Loose cushions upholstered both sides
- » Timber frame
- » Aluminium legs
- » Available in local fabrics (two tone available, please contact office)
- » Optional frame or base colour (please allow 5 more days)
- » Suitable for indoor use
- » 5 year warranty
- » Weight limit for 1 seater is 130kg
- » Weight limit for 2 seater is 260kg

INDOOR USE ONLY

X Do not use as a step ladder



SHELL-1S

SHELL-1SH

SHELL-2S

SHELL-2SH

SHELL SOFT SEATING



SHELL-1S



SHELL-1SH



SHELL-2S



SHELL-2SH

R10 SCREENS

ACOUSTIC



FEATURES

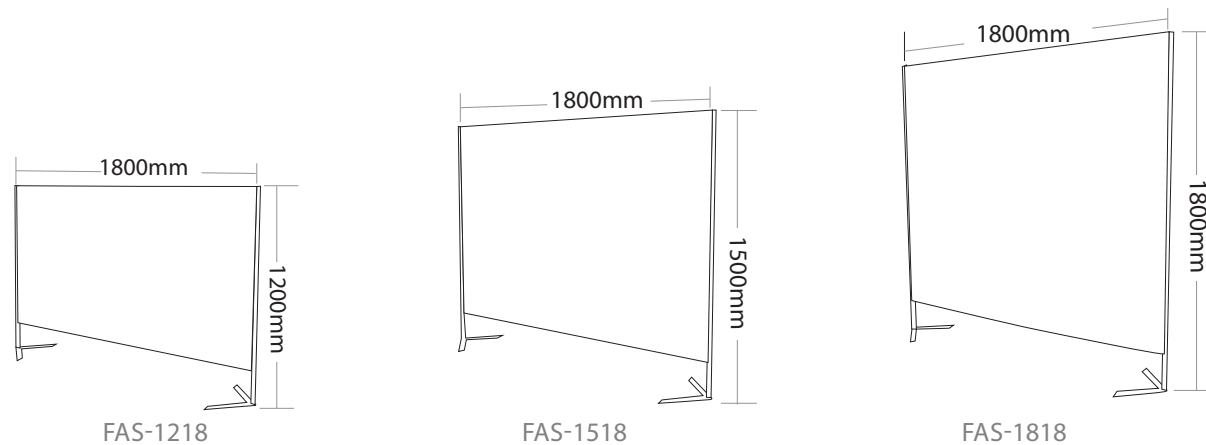
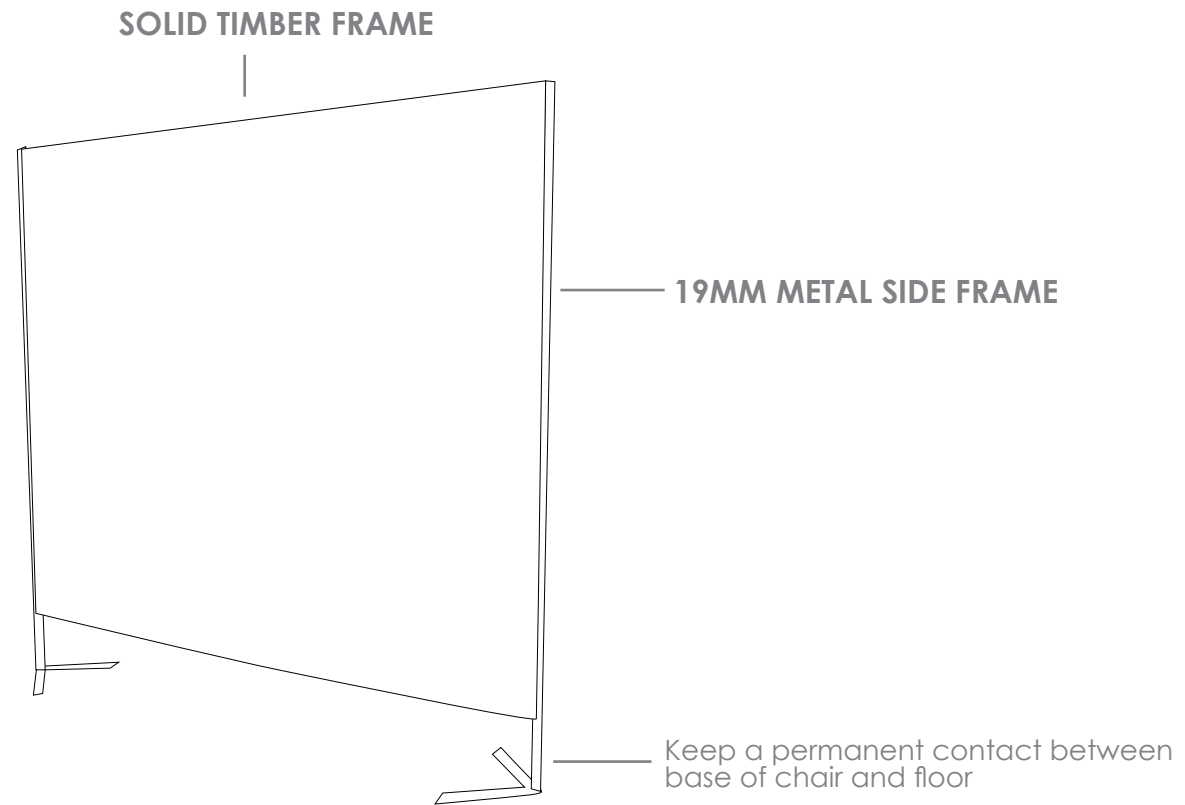
- » Australian made
- » Solid timber frame
- » Frames wrapped with a 10mm layer of foam
- » Frames wrapped with a layer of cardboard
- » 19mm metal side frame
- » Optional frame or base colour (please allow 5 more days)
- » Suitable for indoor use
- » 2 year warranty

OPTIONS

CODE	SCREEN SIZE (HXW)
FAS-1212	1200x1200mm
FAS-1215	1200x1500mm
FAS-1218	1200x1800mm
FAS-1512	1500x1200mm
FAS-1515	1500x1500mm
FAS-1518	1500x1800mm
FAS-1812	1800x1200mm
FAS-1815	1800x1500mm
FAS-1818	1800x1800mm

INDOOR USE ONLY

✘ Do not use as a step ladder



ACOUSTIC SCREENS



FAS-1218



FAS-1518



FAS-1818

R11 INDUSTRIAL STOOLS

STATE

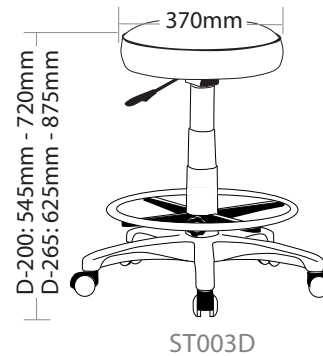
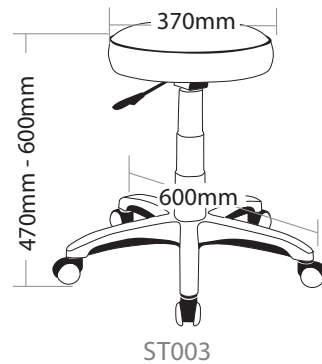
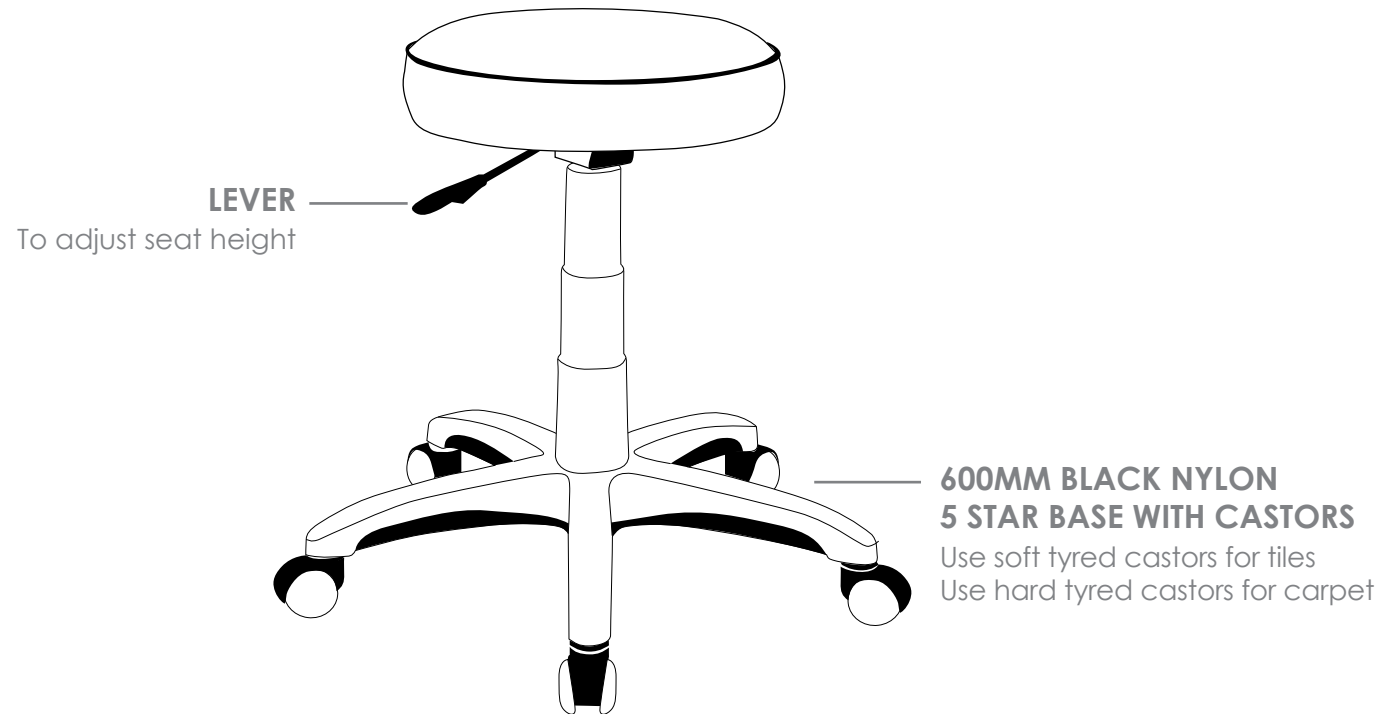


FEATURES

- » Adjustable seat height
- » Optional drafting kit
- » Optional glides or brake castors
- » 600mm black nylon base
- » Available in local fabrics
- » Suitable for indoor use
- » 5 year warranty
- » Weight limit is 120kg

INDOOR USE ONLY

✗ Do not use as a step ladder



STATE INDUSTRIAL STOOL



ST003



ST003D

Wines Office Furniture Catalogue

W: www.winesofficefurniture.com.au | **E:** sales@winesofficefurniture.com.au

Address : 31 Eastwood Street, Ballarat, VIC 3350 | **Ph:** 03 5333 5977

