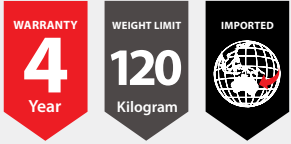




21-22
CATALOGUE

R1 TASK SEATING

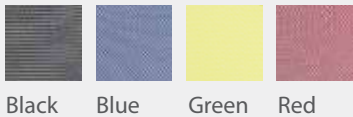
INTRO



FEATURES

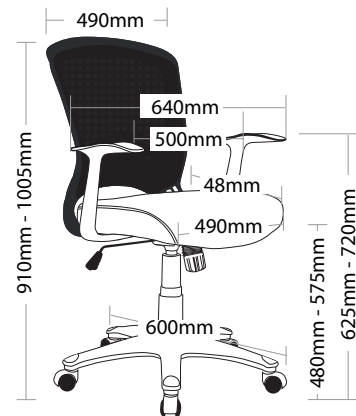
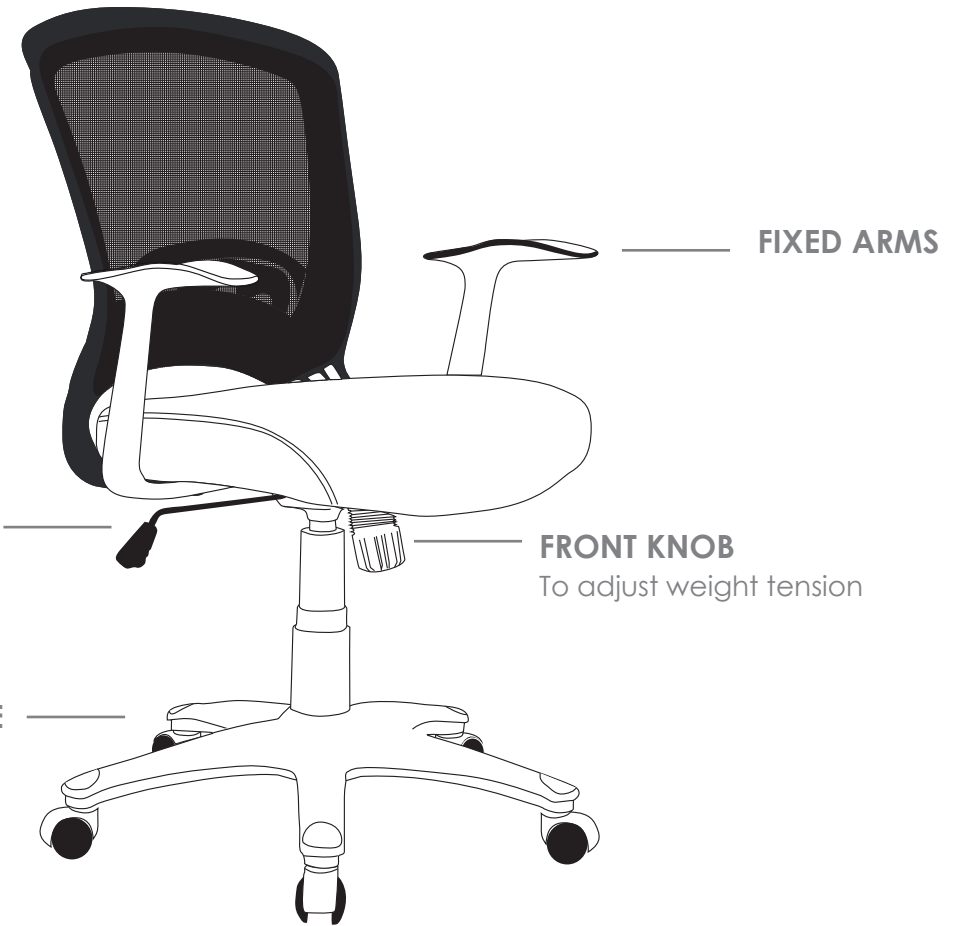
- » Adjustable seat height
- » Adjustable seat and back angle
- » Adjustable weight tension
- » Fixed arms
- » Butterfly mechanism
- » 600mm heavy duty 5 star base
- » Available in black, blue, green and red only
- » Minor assembly required
- » Suitable for indoor use only
- » 4 year warranty
- » Weight limit is 120kg

COLOUR



INDOOR USE ONLY

X Do not use as a step ladder



INTRO

INTRO TASK SEATING



INTRO-BLACK



INTRO-BLUE



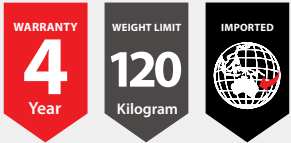
INTRO-GREEN



INTRO-RED

R1 TASK SEATING

YARRA

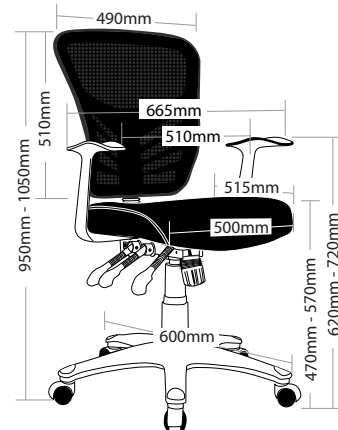
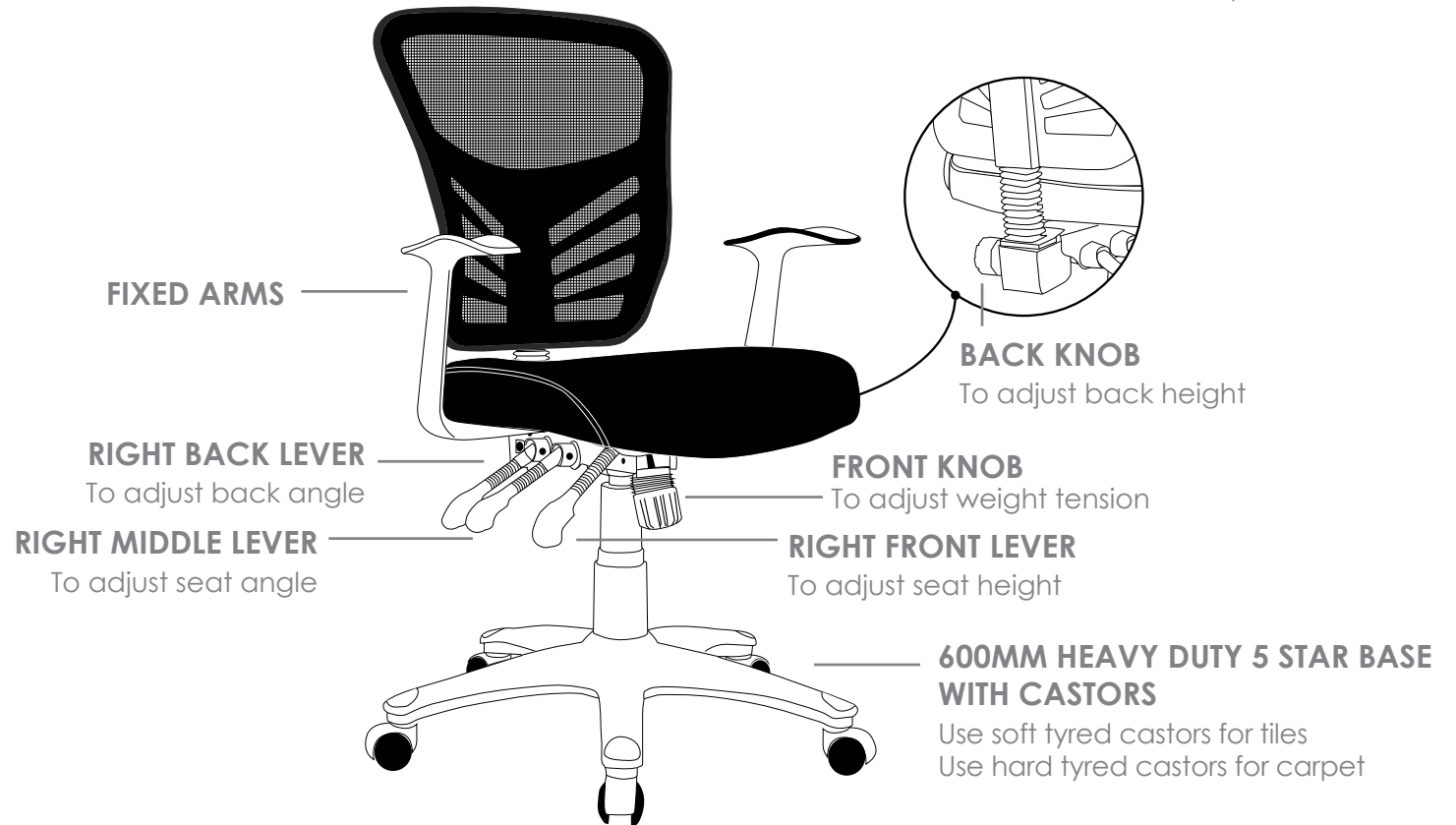


FEATURES

- » Adjustable seat height
- » Adjustable back height
- » Adjustable weight tension
- » Fixed arms
- » 3 lever ergonomic mechanism
- » 600mm heavy duty 5 star base with castors
- » Available in black only
- » Minor assembly required
- » Suitable for indoor use only
- » 4 year warranty
- » Weight limit is 120kg

INDOOR USE ONLY

✗ Do not use as a step ladder



YARRA

YARRA TASK SEATING



YARRA



BACK VIEW



SIDE VIEW

R1 TASK SEATING

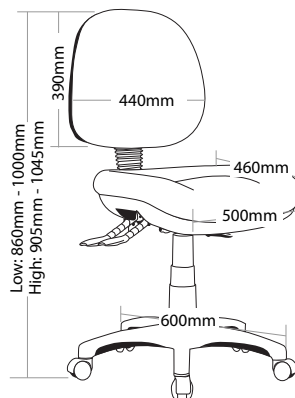
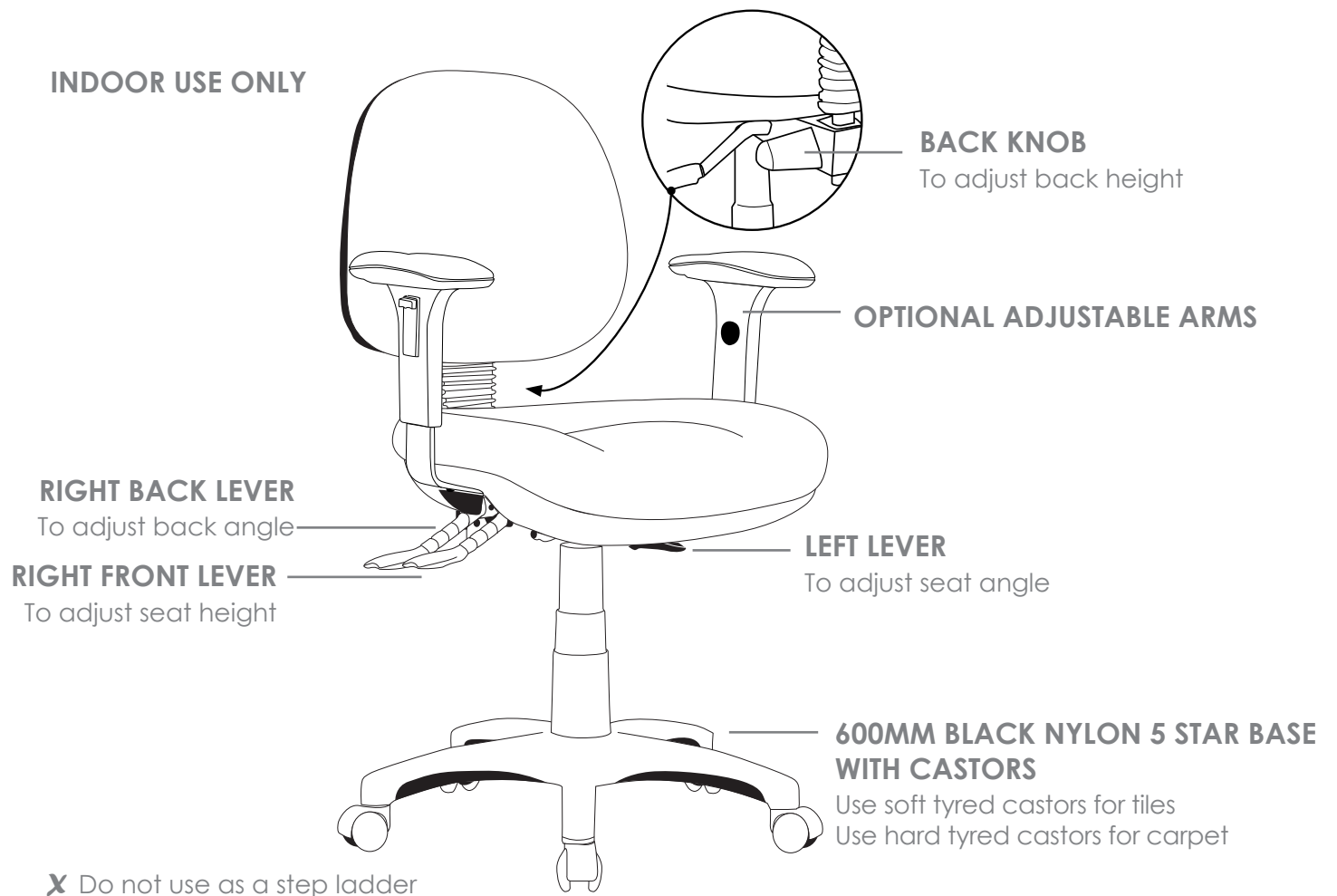
P350



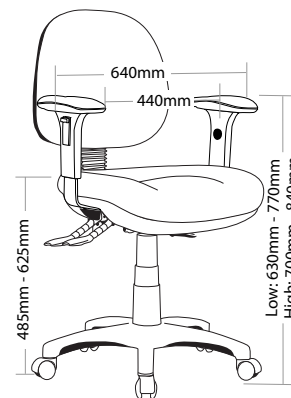
FEATURES

- » Adjustable seat height
- » Adjustable back height
- » Adjustable seat and back angle
- » Optional adjustable arms
- » Available in high and low back
- » Moulded seat and back foam
- » 3 lever ergonomic mechanism
- » 600mm black nylon base
- » Available in Metro black only
- » AFRDI tested to level 6
- » Minor assembly required
- » Suitable for indoor use only
- » 7 year warranty
- » Weight limit is 130kg

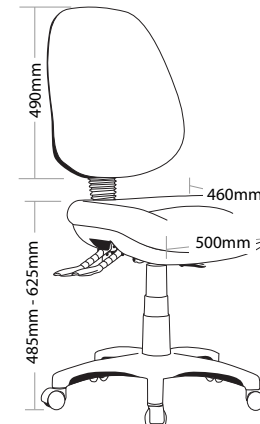
INDOOR USE ONLY



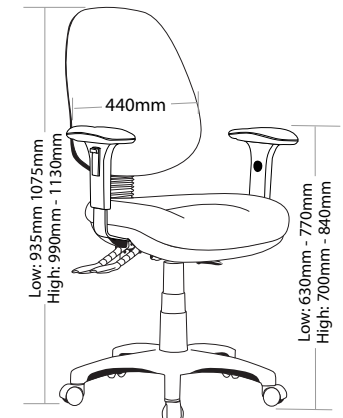
P350-MB



P350C-MB



P350H-MB



P350HC-MB

P350 TASK SEATING



P350-MB



P350C-MB



P350-H-MB



P350HC-MB

R1 TASK SEATING

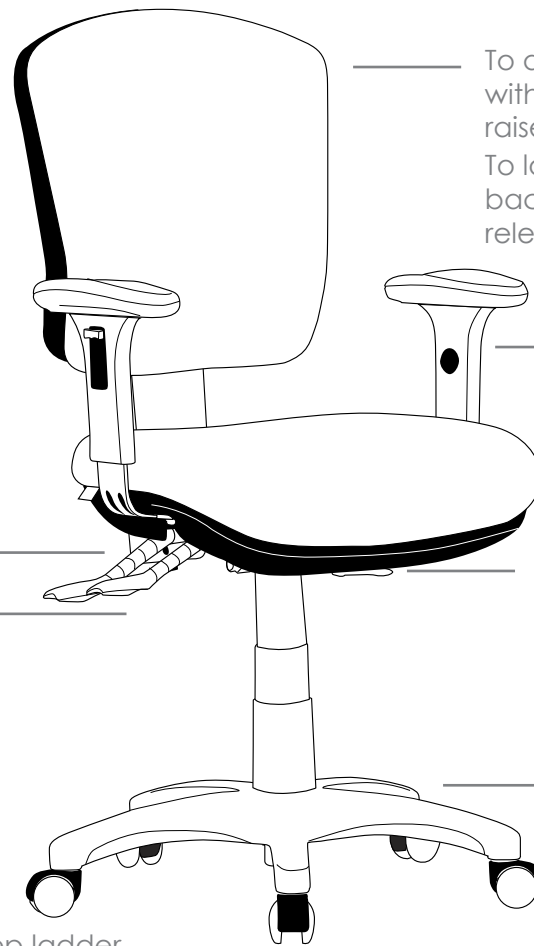
AQUA



FEATURES

- » Adjustable seat height
- » Adjustable back height (ratchet)
- » Adjustable seat and back angle
- » Optional adjustable arms
- » Available in high and low back
- » Moulded seat and back foam
- » 3 lever ergonomic mechanism
- » 600mm black nylon base
- » Available in Metro black only
- » AFRDI tested to level 6
- » Minor assembly required
- » Suitable for indoor use only
- » 7 year warranty
- » Weight limit is 130kg

INDOOR USE ONLY



To adjust back height hold back with two hands while seated and raise to desired height
To lower the back height raise back all the way to the top and release slowly

OPTIONAL ADJUSTABLE ARMS

RIGHT BACK LEVER

To adjust back angle

RIGHT FRONT LEVER

To adjust seat height

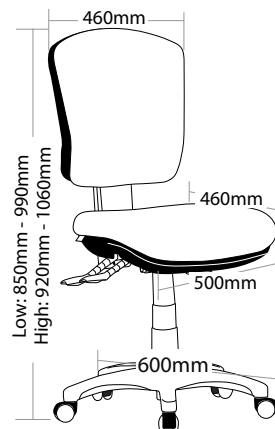
LEFT LEVER

To adjust seat angle

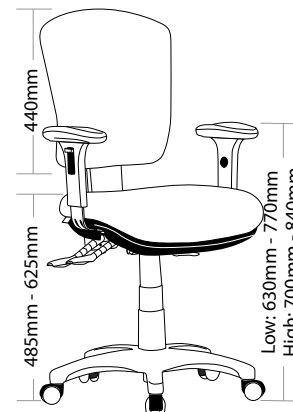
600MM BLACK NYLON 5 STAR BASE WITH CASTORS

Use soft tyred castors for tiles
Use hard tyred castors for carpet

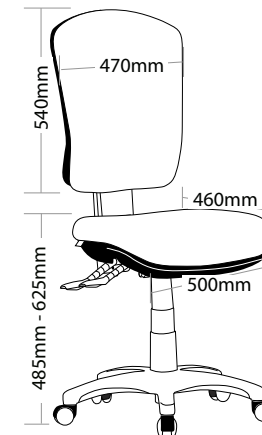
X Do not use as a step ladder



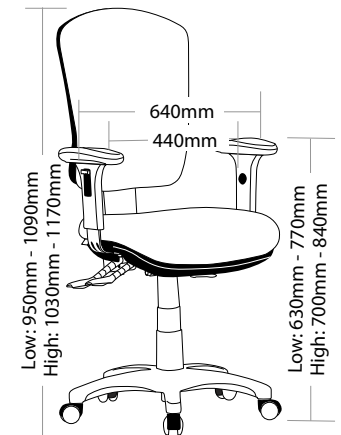
AQUA-L-MB



AQUA-LC-MB



AQUA-H-MB



AQUA-HC-MB

AQUA TASK SEATING



AQUA-L-MB



AQUA-LC-MB



AQUA-H-MB



AQUA-HC-MB

R1 TASK SEATING

RIO



FEATURES

- » Adjustable seat height
- » Adjustable back height (ratchet)
- » Adjustable seat and back angle
- » Optional adjustable arms
- » Available in high and low back
- » Moulded seat foam
- » Mesh back
- » 3 lever ergonomic mechanism
- » 600mm black nylon base
- » Available in Metro black only
- » AFRDI tested to level 6
- » Minor assembly required
- » Suitable for indoor use only
- » 7 year warranty
- » Weight limit is 130kg

INDOOR USE ONLY



To adjust back height hold back with two hands while seated and raise to desired height
To lower the back height raise back all the way to the top and release slowly

OPTIONAL ADJUSTABLE ARMS

RIGHT BACK LEVER

To adjust back angle

RIGHT FRONT LEVER

To adjust seat height

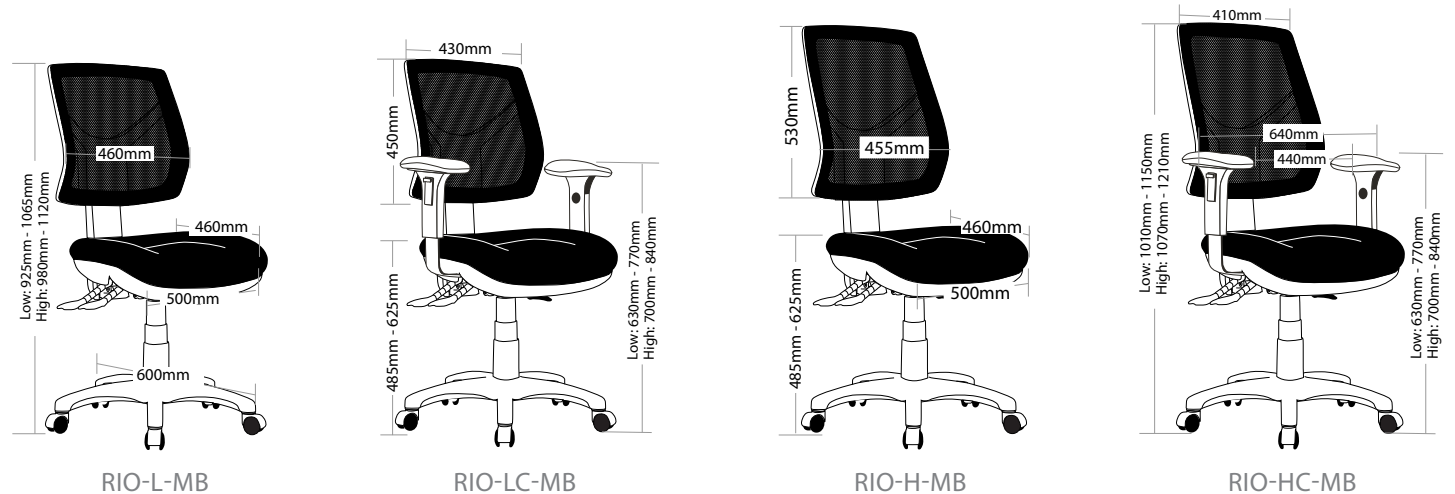
LEFT LEVER

To adjust seat angle

600MM BLACK NYLON 5 STAR BASE WITH CASTORS

Use soft tyred castors for tiles
Use hard tyred castors for carpet

Do not use as a step ladder



RIO TASK SEATING



RIO-L-MB



RIO-LC-MB



RIO-H-MB



RIO-HC-MB

R1 TASK SEATING

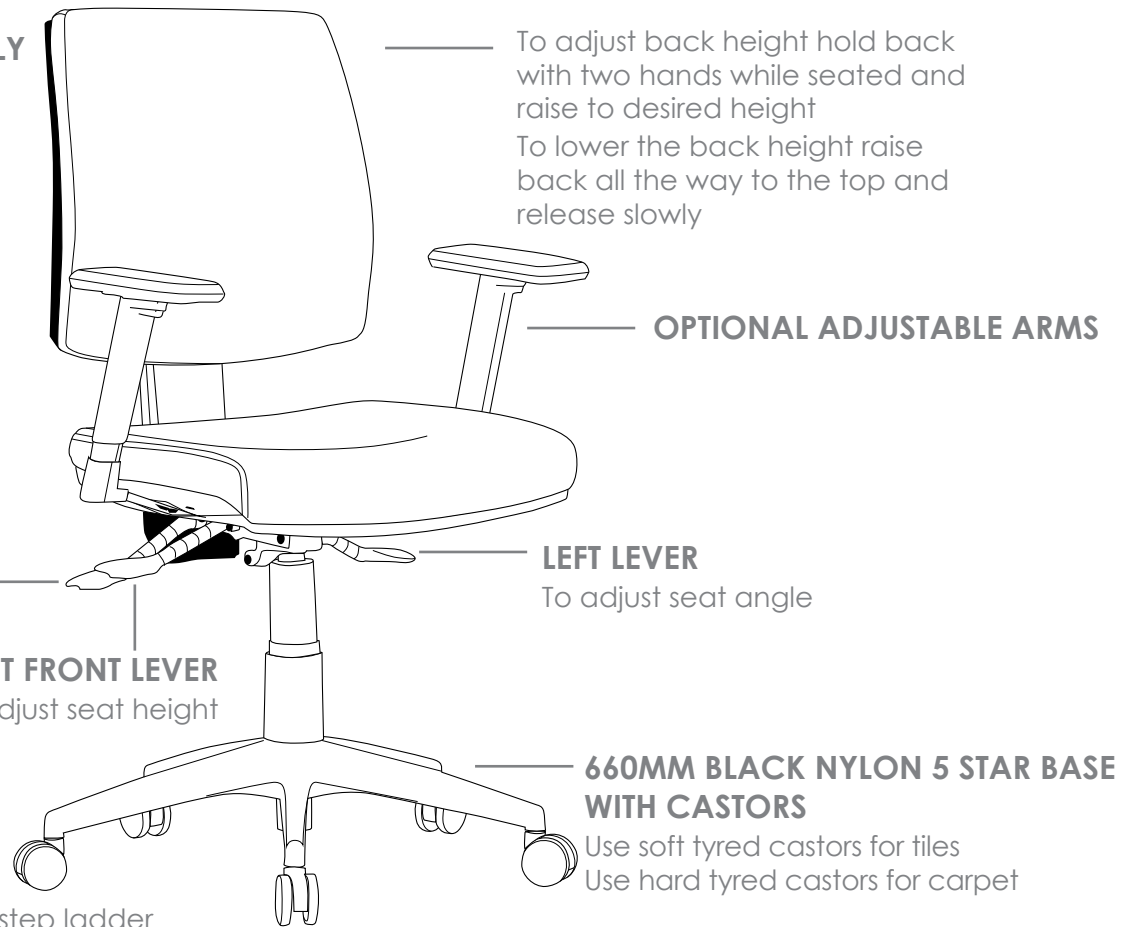
CLICK



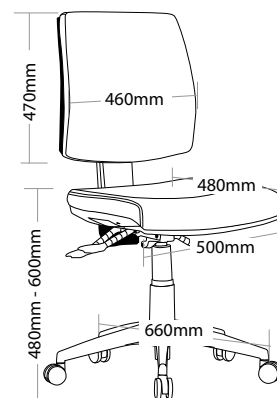
FEATURES

- » Adjustable seat height
- » Adjustable back height (ratchet)
- » Adjustable seat and back angle
- » Optional adjustable arms
- » Available in high and low back
- » Moulded seat and back foam
- » Square seat
- » 3 lever ergonomic mechanism
- » 660mm black nylon base
- » Available in Metro black only
- » AFRDI tested to level 6
- » Minor assembly required
- » Suitable for indoor use only
- » 7 year warranty
- » Weight limit is 130kg

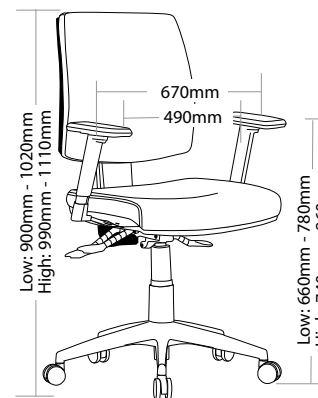
INDOOR USE ONLY



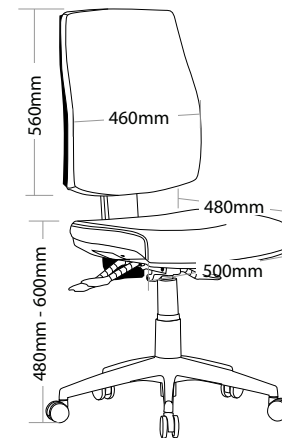
X Do not use as a step ladder



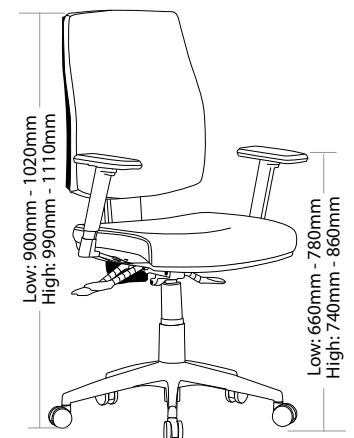
CLICK-L-MB



CLICK-LC-MB



CLICK-H-MB



CLICK-HC-MB

CLICK TASK SEATING



CLICK-L-MB



CLICK-LC-MB



CLICK-H-MB



CLICK-HC-MB

R1 TASK SEATING

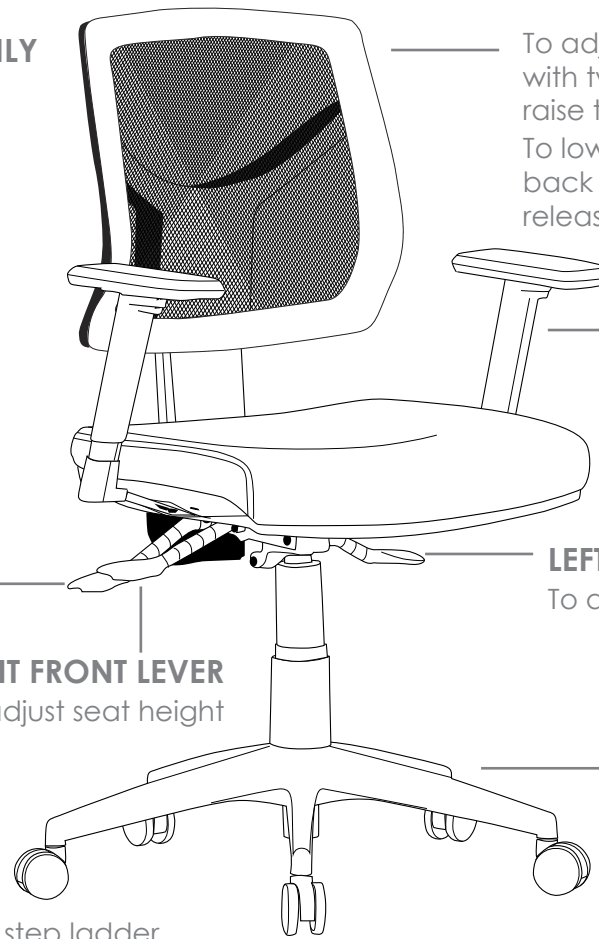
EXPO



FEATURES

- » Adjustable seat height
- » Adjustable back height (ratchet)
- » Adjustable seat and back angle
- » Optional adjustable arms
- » Available in high and low back
- » Moulded seat foam
- » Mesh back
- » 3 lever ergonomic mechanism
- » 660mm black nylon base
- » Available in Metro black only
- » AFRDI tested to level 6
- » Minor assembly required
- » Suitable for indoor use only
- » 7 year warranty
- » Weight limit is 130kg

INDOOR USE ONLY



To adjust back height hold back with two hands while seated and raise to desired height
 To lower the back height raise back all the way to the top and release slowly

OPTIONAL ADJUSTABLE ARMS

RIGHT BACK LEVER
 To adjust back angle

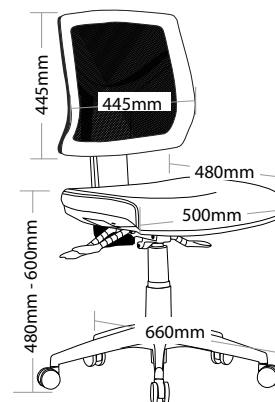
LEFT LEVER
 To adjust seat angle

RIGHT FRONT LEVER
 To adjust seat height

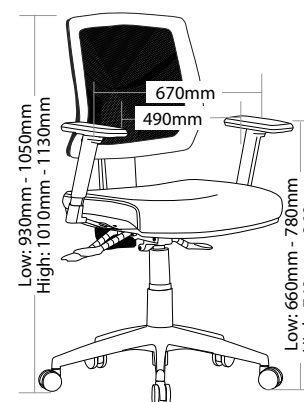
660MM BLACK NYLON 5 STAR BASE WITH CASTORS

Use soft tyred castors for tiles
 Use hard tyred castors for carpet

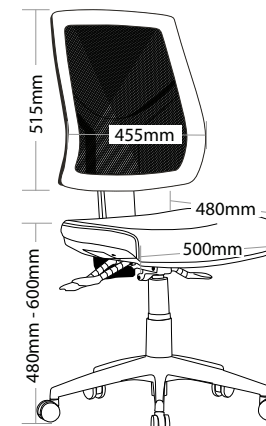
Do not use as a step ladder



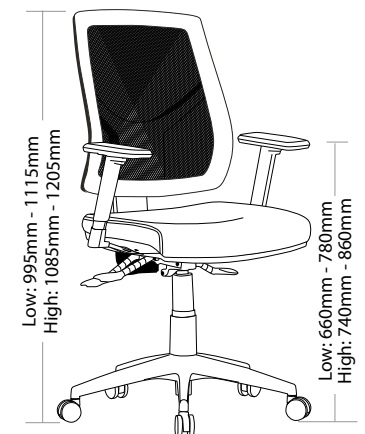
EXPO-L-MB



EXPO-LC-MB



EXPO-H-MB



EXPO-HC-MB

EXPO TASK SEATING



EXPO-L-MB



EXPO-LC-MB



EXPO-H-MB



EXPO-HC-MB

R1 TASK SEATING

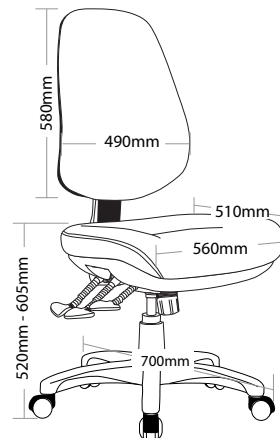
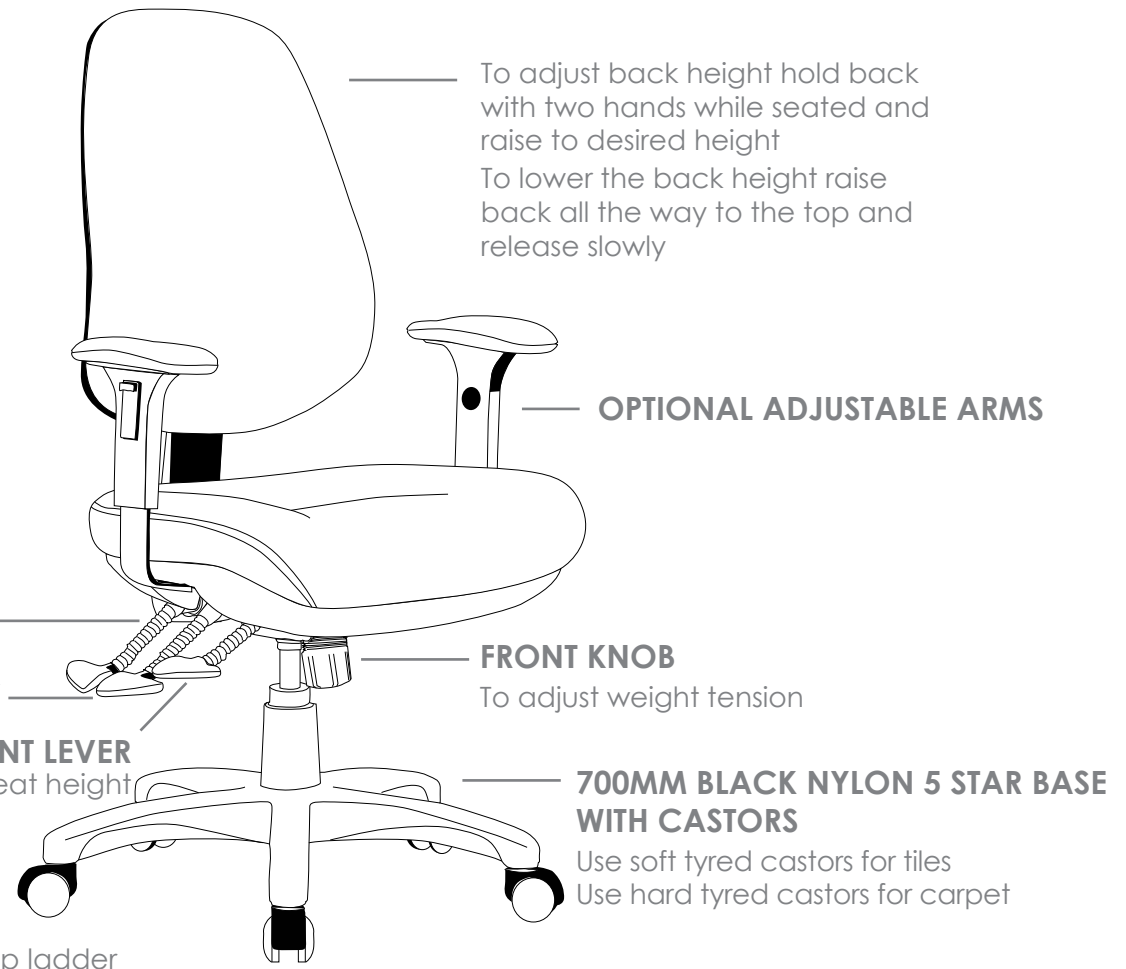
TR600



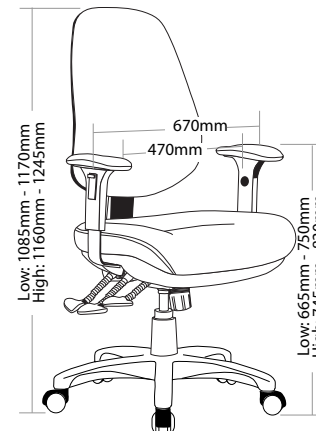
FEATURES

- » Adjustable seat height
- » Adjustable back height (ratchet)
- » Adjustable seat and back angle
- » Adjustable weight tension
- » Optional adjustable arms
- » Moulded seat and back foam
- » Mega big boy seat
- » 3 lever heavy duty ergonomic mechanism
- » 700mm black nylon base
- » Chair not available with drafting kit
- » Available in Metro black only
- » AFRDI tested to level 6
- » Minor assembly required
- » Suitable for indoor use only
- » 7 year warranty
- » Weight limit is 140kg

INDOOR USE ONLY



TR600-MB



TR600-C-MB

TR600 TASK SEATING



TR600-MB



TR600-C-MB



BACK VIEW

R1 TASK SEATING

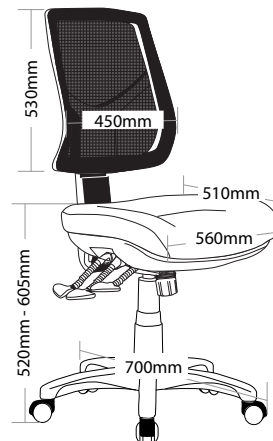
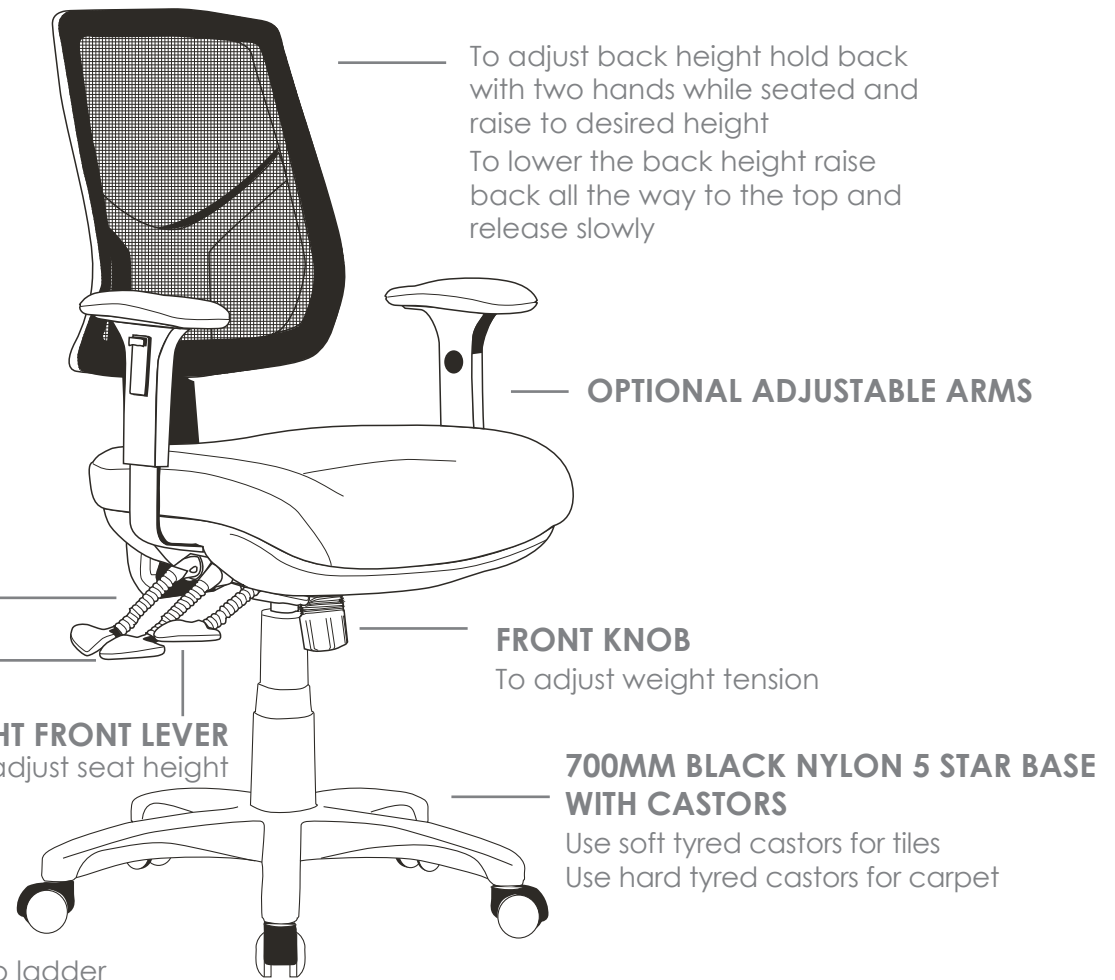
HINO



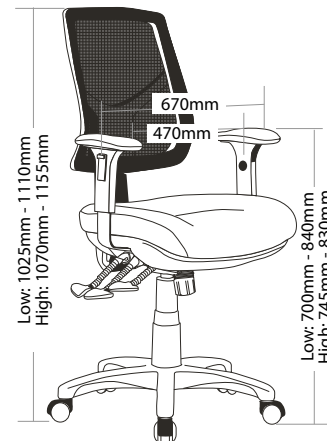
FEATURES

- » Adjustable seat height
- » Adjustable back height (ratchet)
- » Adjustable seat and back angle
- » Adjustable weight tension
- » Optional adjustable arms
- » Moulded seat foam
- » Mega big boy seat
- » Mesh back
- » 3 lever heavy duty ergonomic mechanism
- » 700mm black nylon base
- » Chair not available with drafting kit
- » Available in Metro black only
- » AFRDI tested to level 6
- » Minor assembly required
- » Suitable for indoor use only
- » 7 year warranty
- » Weight limit is 140kg

INDOOR USE ONLY



HINO-MB



HINO-C-MB

HINO TASK SEATING



HINO-MB



HINO-C-MB



BACK VIEW

R1 TASK SEATING

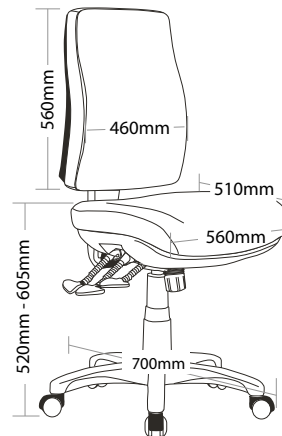
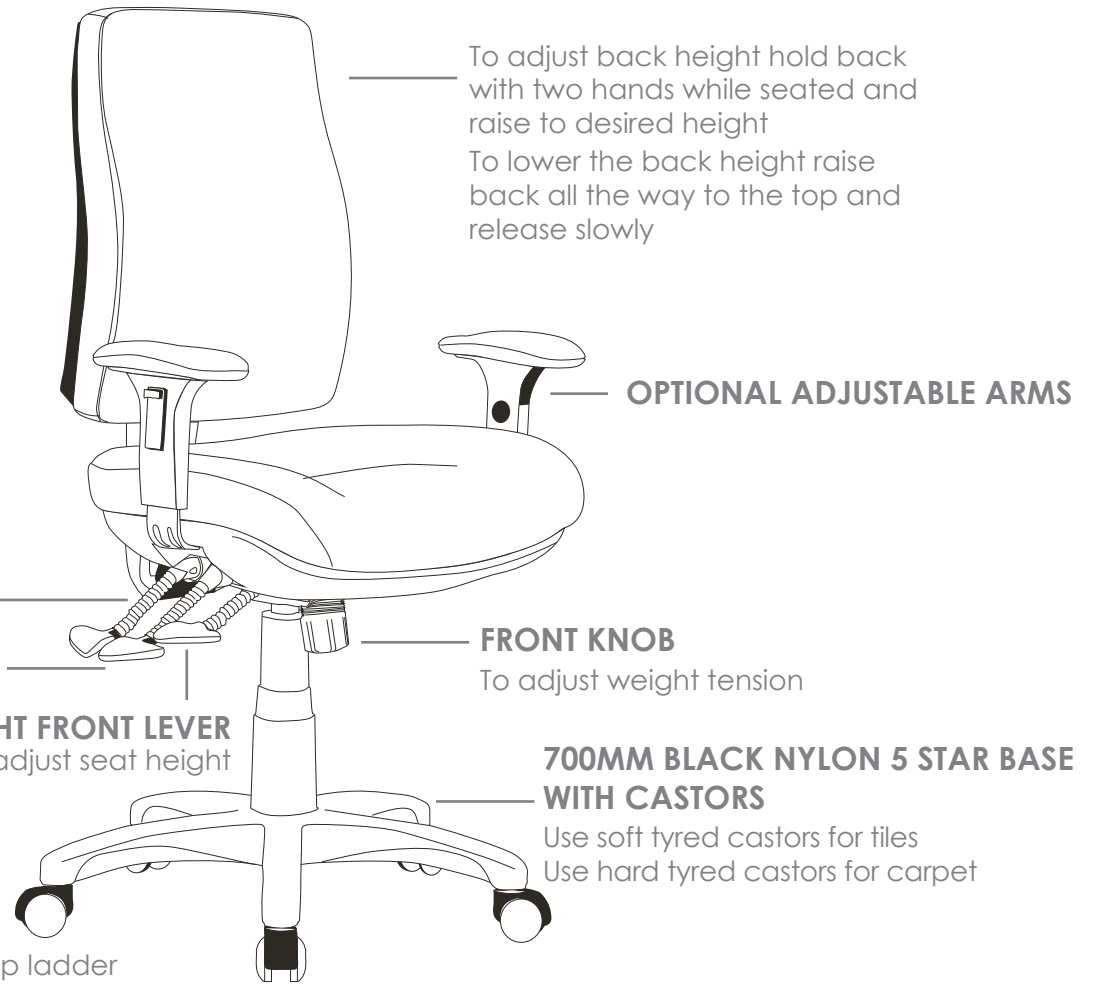
SPOT



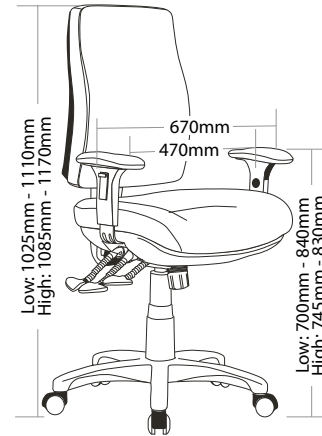
FEATURES

- » Adjustable seat height
- » Adjustable back height (ratchet)
- » Adjustable seat and back angle
- » Adjustable weight tension
- » Optional adjustable arms
- » Moulded seat and back foam
- » Mega big boy seat
- » 3 lever heavy duty ergonomic mechanism
- » 700mm black nylon base
- » Chair not available with drafting kit
- » Available in Metro black only
- » AFRDI tested to level 6
- » Minor assembly required
- » Suitable for indoor use only
- » 7 year warranty
- » Weight limit is 140kg

INDOOR USE ONLY



SPOT-H-MB



SPOT-HC-MB

SPOT TASK SEATING



SPOT-H-MB



SPOT-HC-MB



BACKVIEW

R2 BOARDROOM SEATING

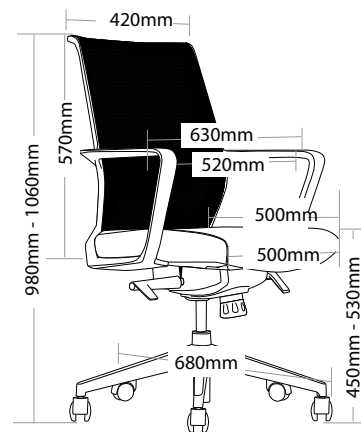
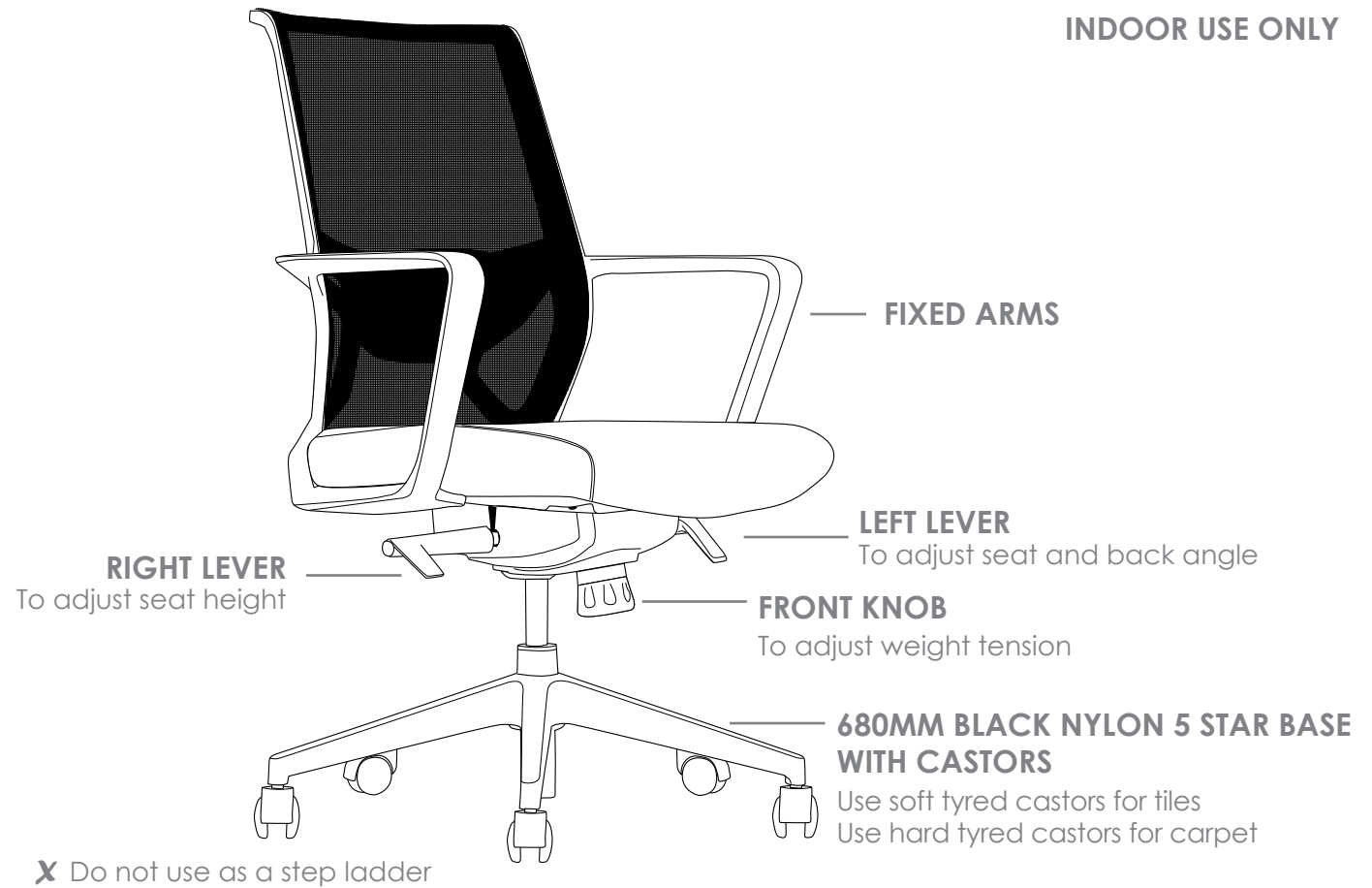
CAPRI



FEATURES

- » Adjustable seat height
- » Adjustable seat and back angle
- » Adjustable weight tension
- » Fixed arms
- » Mesh back
- » Knee tilt mechanism with 3 locking positions
- » 680mm black nylon 5 star base
- » Available in black only
- » Minor assembly required
- » Suitable for indoor use only
- » 3 year warranty
- » Weight limit is 120kg

INDOOR USE ONLY



CAPRI

CAPRI BOARDROOM SEATING



CAPRI



BACK VIEW



SIDE VIEW

R2 BOARDROOM SEATING

GALA

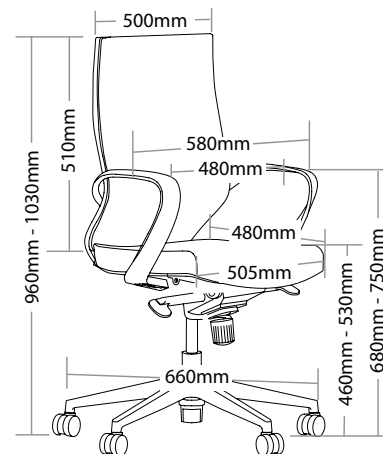
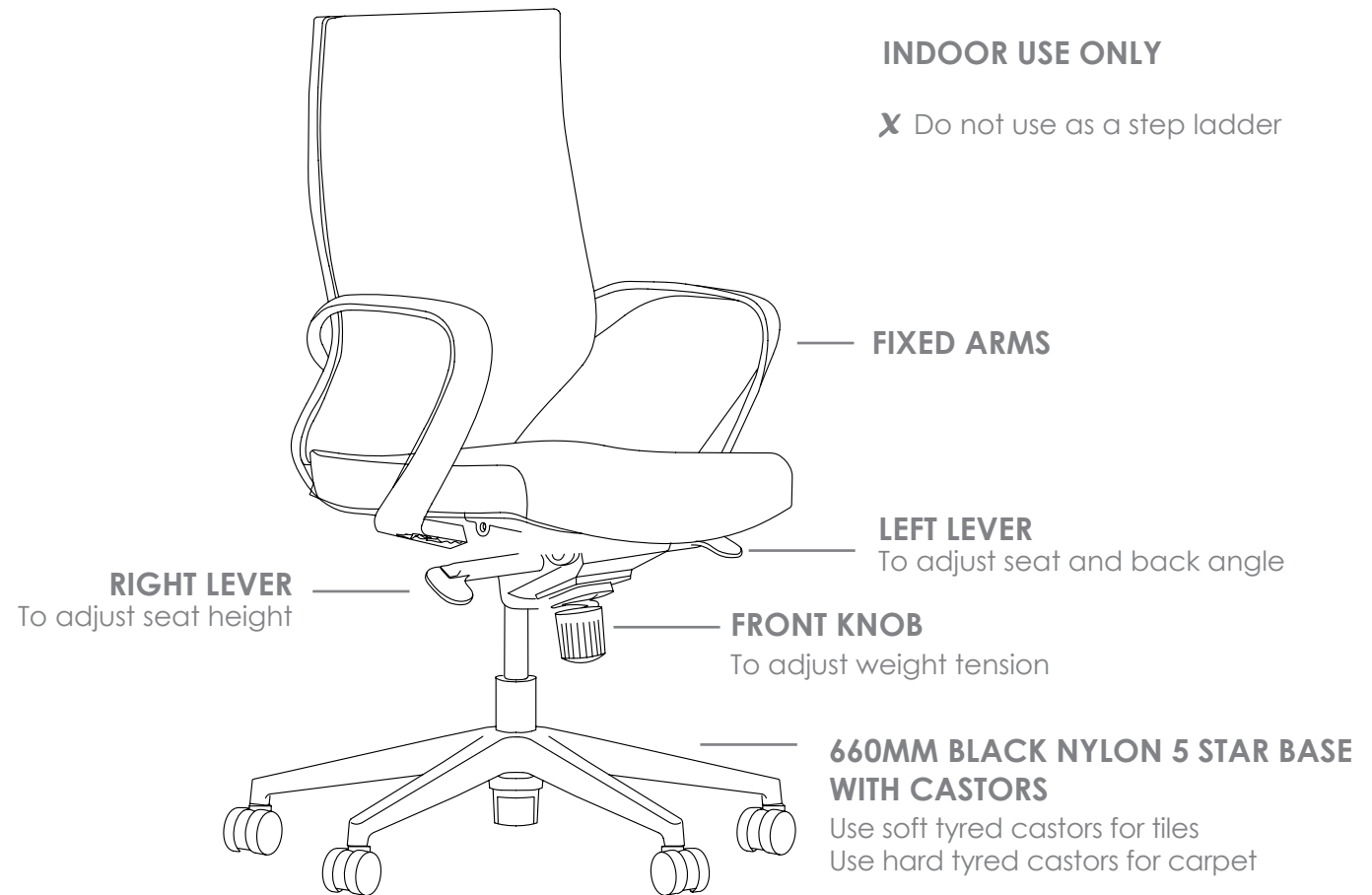


FEATURES

- » Adjustable seat height
- » Adjustable seat and back angle
- » Adjustable weight tension
- » Fixed arms
- » Mesh black
- » Knee tilt mechanism with 3 locking positions
- » 660mm black nylon base
- » Available in black only
- » Minor assembly required
- » Suitable for indoor use only
- » 5 year warranty
- » Weight limit is 120kg

INDOOR USE ONLY

X Do not use as a step ladder



GALA

GALA BOARDROOM SEATING



GALA



BACK VIEW



SIDE VIEW

R2 BOARDROOM SEATING

CHEVY

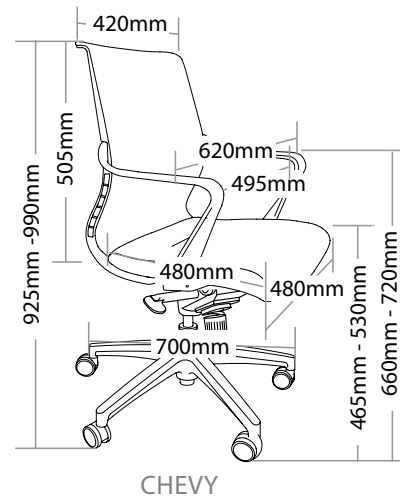
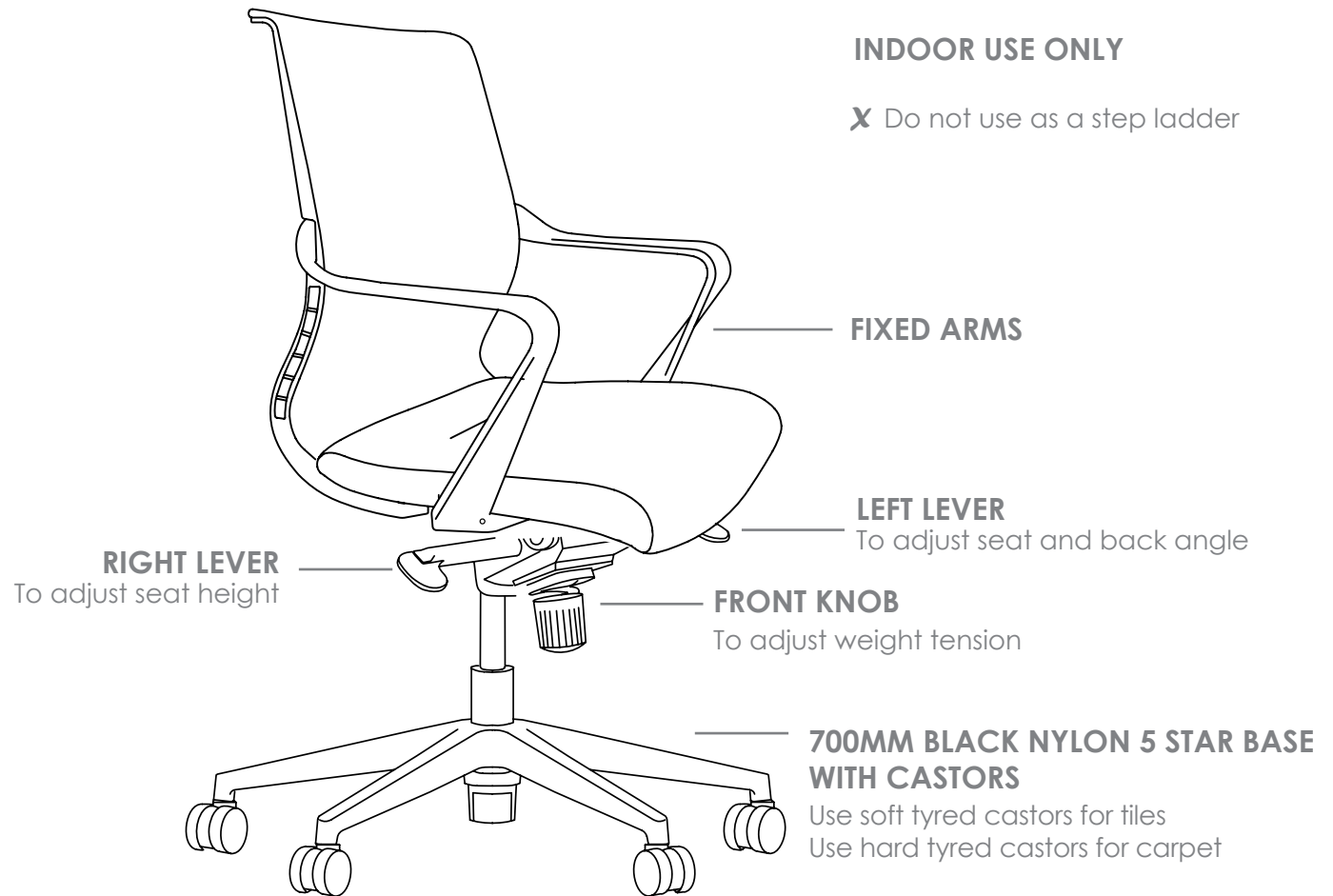


FEATURES

- » Adjustable seat height
- » Adjustable seat and back angle
- » Adjustable weight tension
- » Fixed arms
- » Mesh back
- » Knee tilt mechanism with 3 locking positions
- » 700mm black nylon base
- » Available in black only
- » Minor assembly required
- » Suitable for indoor use only
- » 5 year warranty
- » Weight limit is 120kg

INDOOR USE ONLY

X Do not use as a step ladder



CHEVY BOARDROOM SEATING



CHEVY



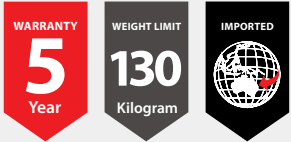
BACK VIEW



SIDE VIEW

R2 BOARDROOM SEATING

VOLT

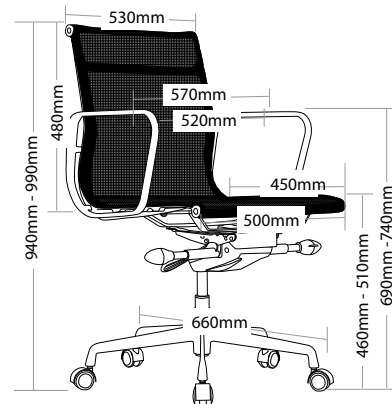
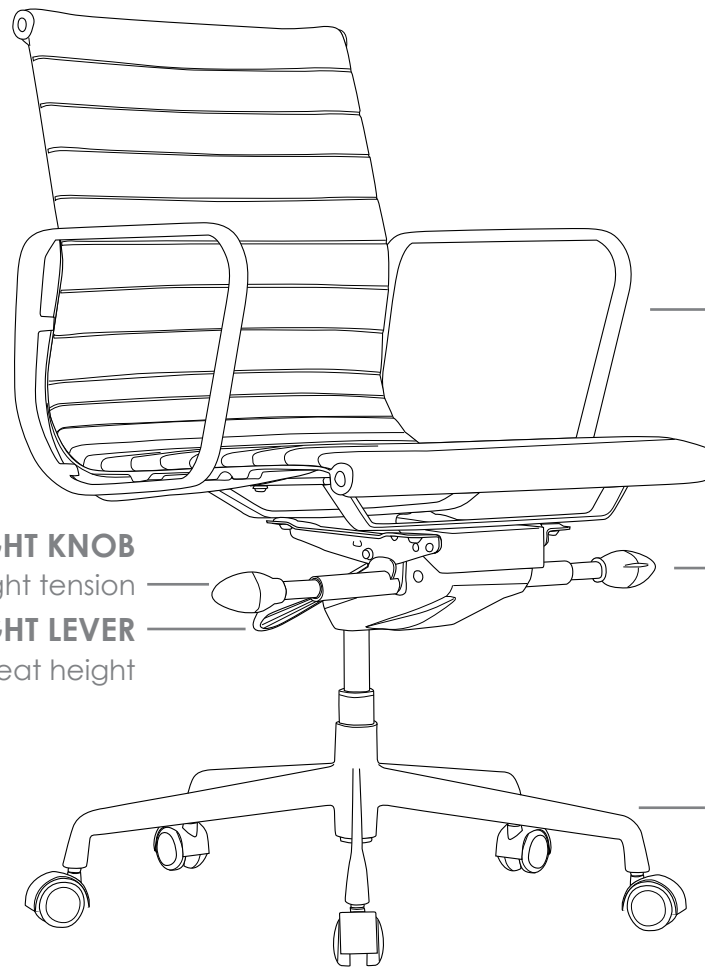


FEATURES

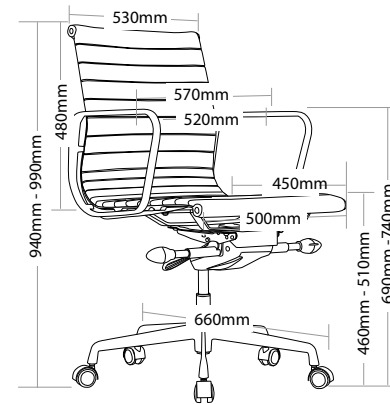
- » Adjustable seat height
- » Adjustable seat and back angle
- » Adjustable weight tension
- » Fixed arms
- » Knee tilt mechanism with 3 locking positions
- » 660mm heavy duty black aluminium 5 star base with castors
- » Black powder coated frame
- » Available in black mesh, terracotta PU, tan PU and black PU
- » Minor assembly required
- » Suitable for indoor use only
- » 5 year warranty
- » Weight limit is 130kg

INDOOR USE ONLY

X Do not use as a step ladder



VOLT-ME



VOLT

660MM HEAVY DUTY BLACK ALUMINIUM 5 STAR BASE WITH CASTORS

Use soft tyred castors for tiles
Use hard tyred castors for carpet

VOLT BOARDROOM SEATING



VOLT-ME



VOLT-TE



VOLT-TA



VOLT-BL

R3 MULTI SHIFT SEATING

LOGAN

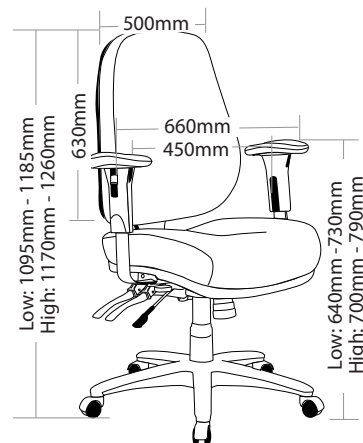
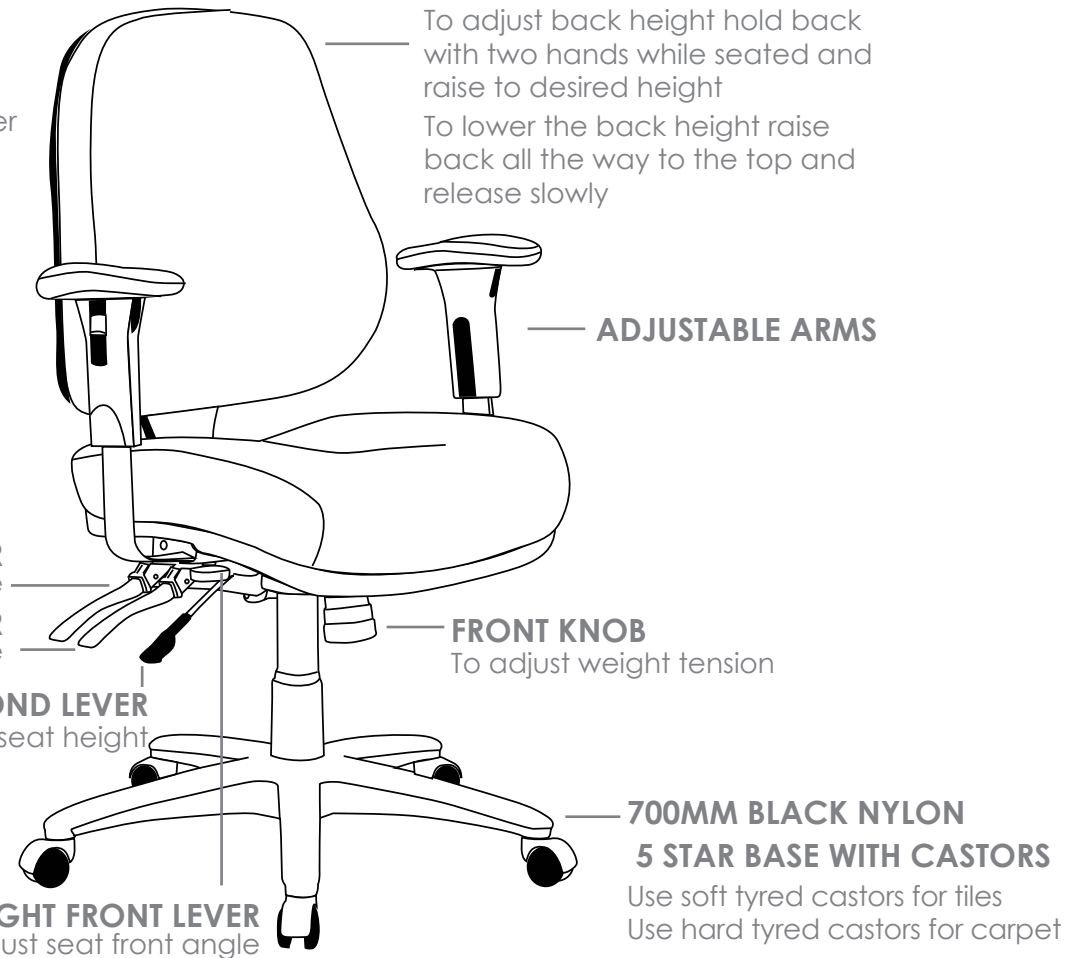


FEATURES

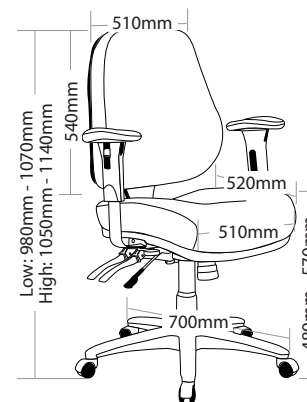
- » Adjustable seat height
- » Adjustable back height (ratchet)
- » Adjustable seat and back angle
- » Adjustable weight tension
- » Adjustable arms
- » Available in high and low back
- » Moulded seat and back foam
- » 4 lever ergonomic mechanism
- » 700mm black nylon base
- » Available in black only
- » Minor assembly required
- » Suitable for indoor use only
- » 10 year warranty
- » Weight limit is 140kg

INDOOR USE ONLY

✗ Do not use as a step ladder



LOGAN-H



LOGAN-L

LOGAN MULTI SHIFT SEATING



LOGAN-H



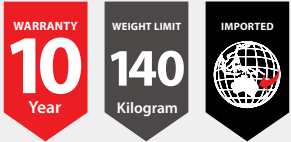
LOGAN-L



BACK VIEW

R3 MULTI SHIFT SEATING

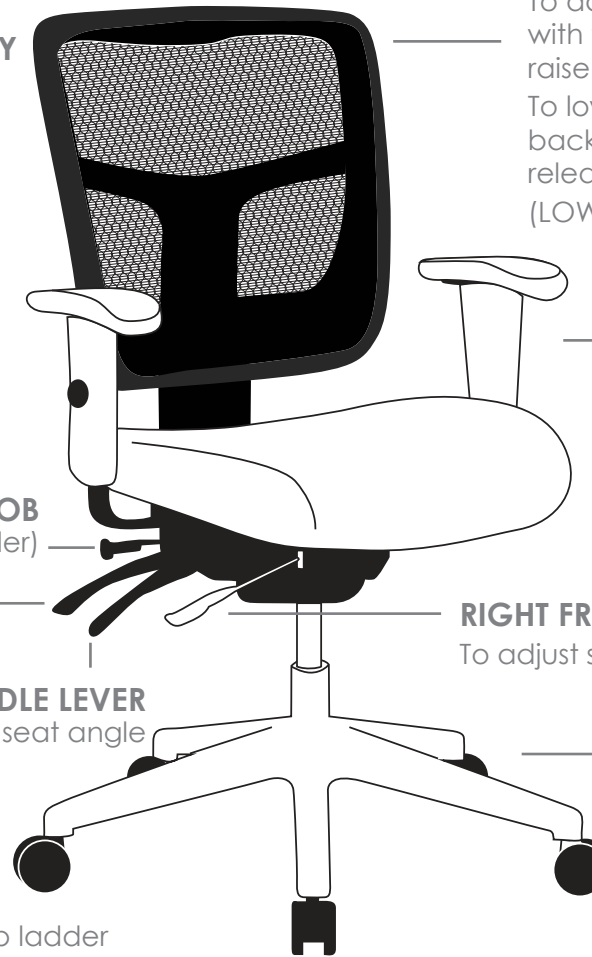
OYSTER



FEATURES

- » Adjustable seat height
- » Adjustable back height (ratchet) (available in low back only)
- » Adjustable seat and back angle
- » Adjustable seat depth (seat slider)
- » Adjustable arms
- » Available in high, medium and low back
- » Moulded seat foam
- » Mesh back
- » 4 lever ergonomic mechanism
- » 700mm aluminium base
- » Available in black only
- » Minor assembly required
- » Suitable for indoor use only
- » 10 year warranty
- » Weight limit is 140kg

INDOOR USE ONLY



To adjust back height hold back with two hands while seated and raise to desired height
To lower the back height raise back all the way to the top and release slowly
(LOW BACK ONLY)

ADJUSTABLE ARMS

RIGHT BACK KNOB

To adjust seat depth (seat slider)

RIGHT BACK LEVER

To adjust back angle

RIGHT MIDDLE LEVER

To adjust seat angle

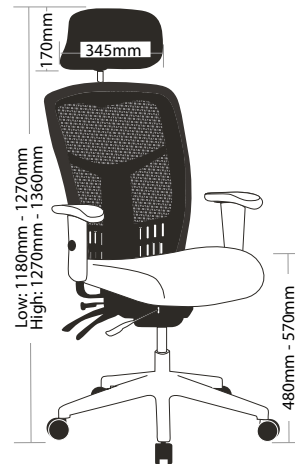
RIGHT FRONT LEVER

To adjust seat height

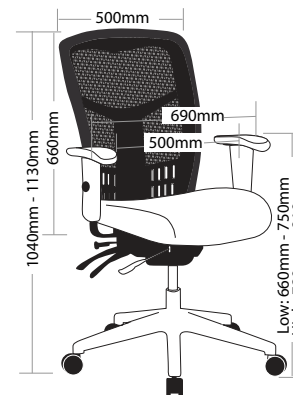
700MM ALUMINIUM 5 STAR BASE WITH CASTORS

Use soft tyred castors for tiles
Use hard tyred castors for carpet

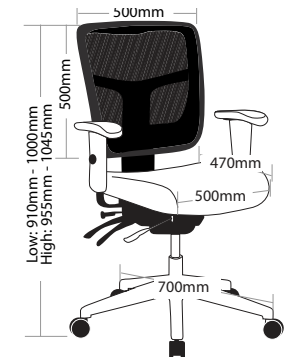
Do not use as a step ladder



OYEX1-H



OYEX1-M



OYEX1-L

OYSTER MULTI SHIFT SEATING



OYEX1-H



OYEX1-M



OYEX1-L

R3 MULTI SHIFT SEATING

ROVER

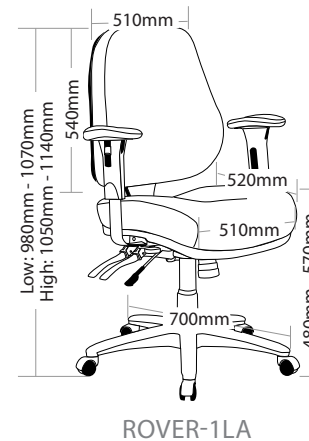
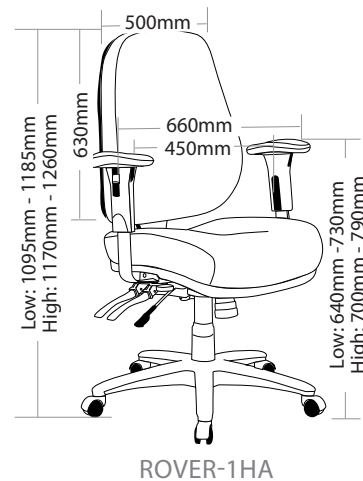
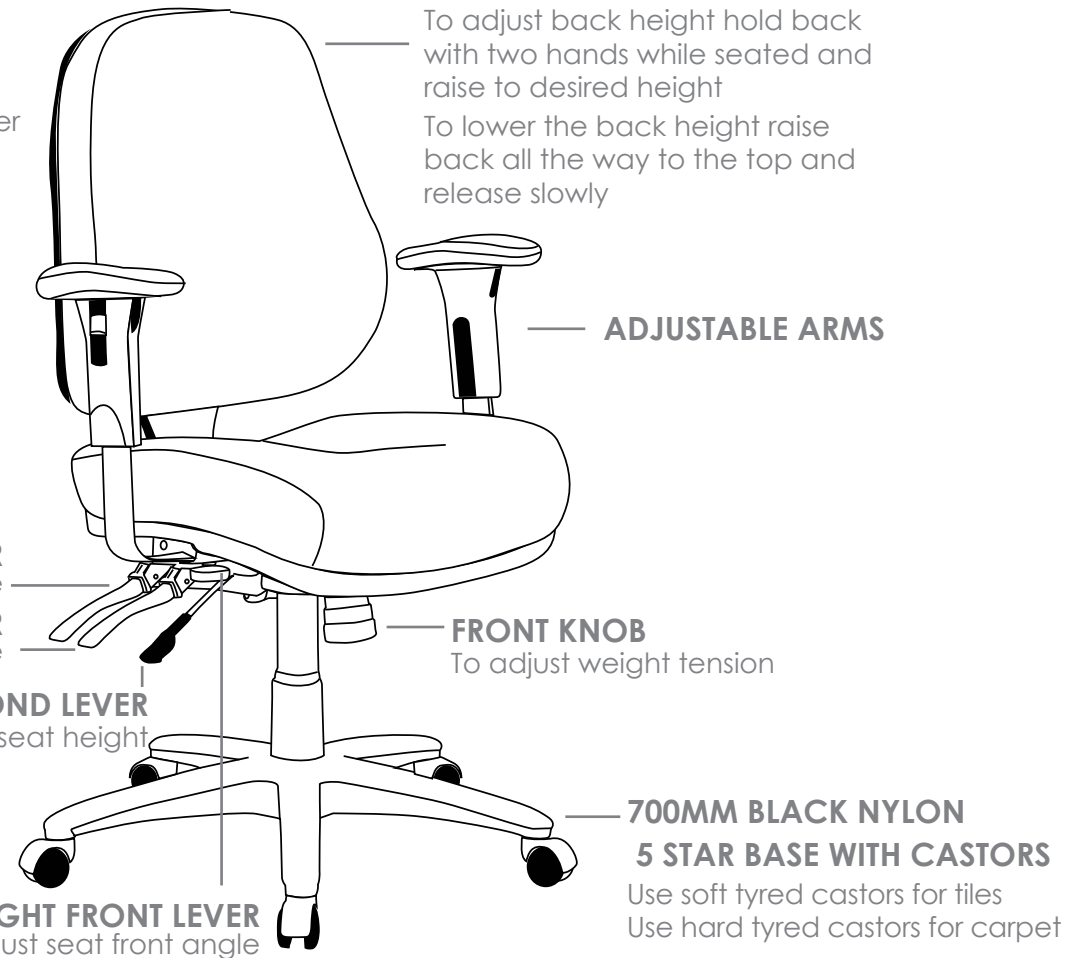


FEATURES

- » Adjustable seat height
- » Adjustable back height (ratchet)
- » Adjustable seat and back angle
- » Adjustable weight tension
- » Adjustable arms
- » Available in high and low back
- » Moulded seat and back foam
- » 4 lever ergonomic mechanism
- » 700mm black nylon base
- » Available in black leather only
- » Minor assembly required
- » Suitable for indoor use only
- » 10 year warranty
- » Weight limit is 140kg

INDOOR USE ONLY

X Do not use as a step ladder



ROVER MULTI SHIFT SEATING



ROVER-1HA



ROVER-1LA



BACK VIEW

R3 MULTI SHIFT SEATING

RANGER



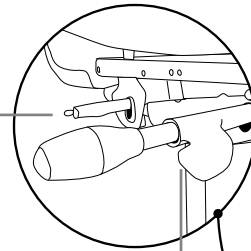
FEATURES

- » Adjustable seat height
- » Adjustable seat and back angle
- » Adjustable seat depth (seat slider)
- » Adjustable weight tension
- » Adjustable headrest
- » Adjustable arms
- » Moulded seat and back foam
- » Saddle seat
- » Double steel strengthened for both seat and back
- » Synchron mechanism with 3 locking positions
- » 720mm aluminium base
- » Available in black and grey only
- » AFRDI tested to level 6
- » AFRDI tested to multi shift use 160kg
- » Minor assembly required
- » Suitable for indoor use only
- » 7 year warranty
- » Weight limit is 160kg

INDOOR USE ONLY

✗ Do not use as a step ladder

INNER BACK LEVER
To adjust seat angle (Forwards)



INNER RIGHT LEVER
To adjust seat height

RIGHT KNOB
To adjust weight tension

720MM ALUMINIUM 5 STAR BASE WITH CASTORS

Use soft tyred castors for tiles
Use hard tyred castors for carpet

ADJUSTABLE HEADREST

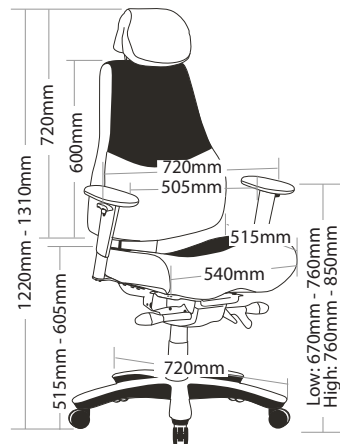
ADJUSTABLE ARMS

LEFT KNOB

To adjust seat and back angle

INNER LEFT LEVER

To adjust seat depth (seat slider)



RANGER

RANGER MULTI SHIFT SEATING



RANGER



BACK VIEW



SIDE VIEW

R4 EXECUTIVE SEATING

HILTON



FEATURES

HILTON-H/ HILTON-L

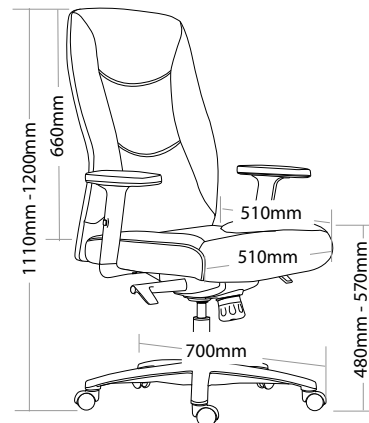
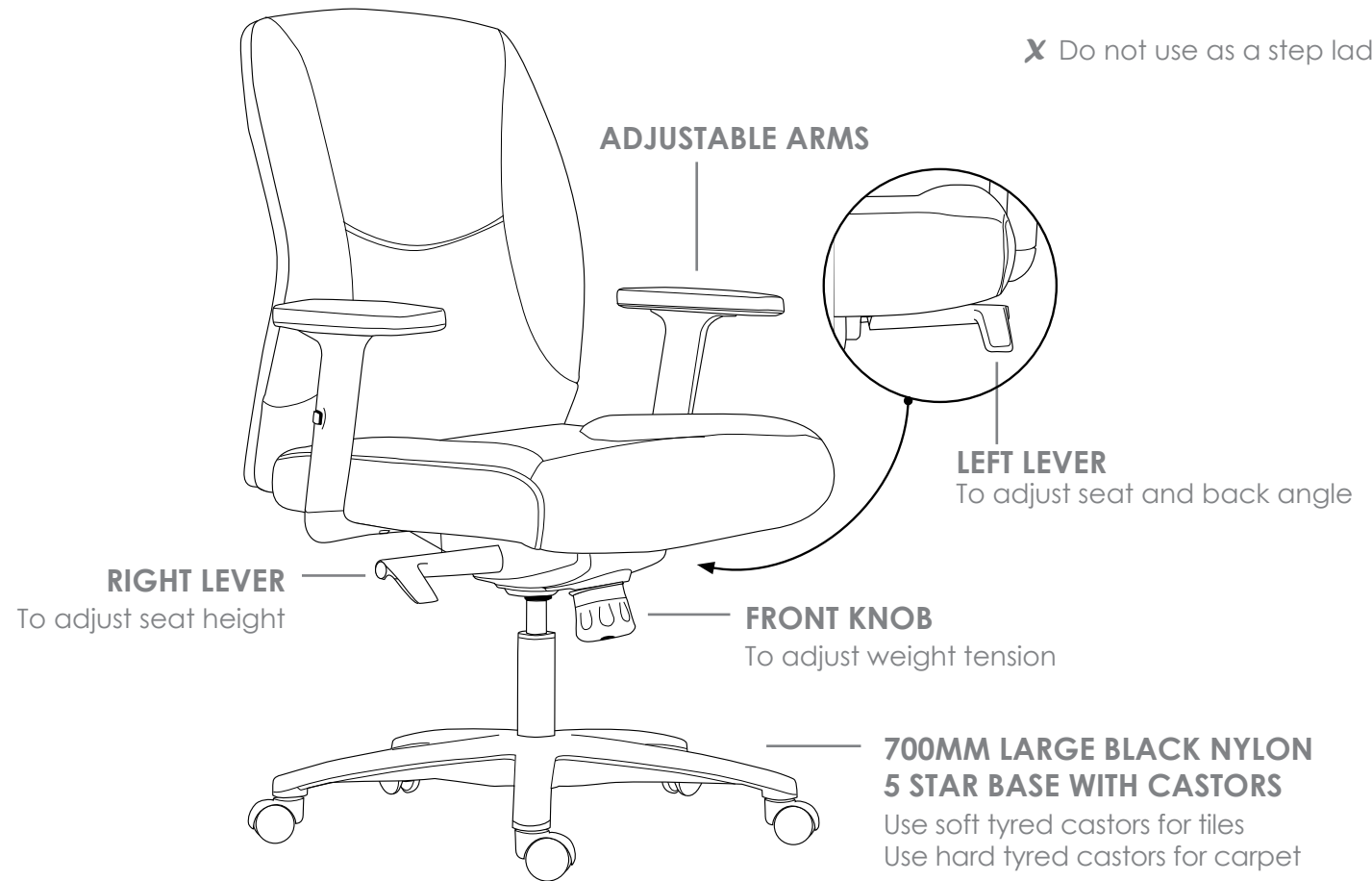
- » Adjustable seat height
- » Adjustable seat and back angle
- » Adjustable weight tension
- » Adjustable arms
- » Available in high and low back
- » Synchron mechanism with 3 locking positions
- » 700mm large black nylon base with castors
- » Available in black PU only
- » Minor assembly required
- » Suitable for indoor use only
- » 5 year warranty
- » Weight limit is 120kg

HILTON-VC

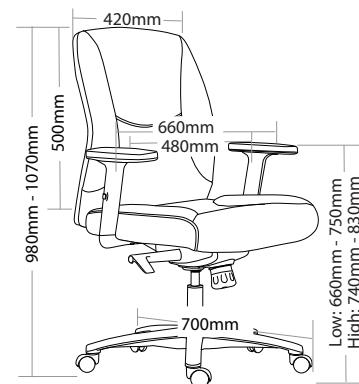
- » Black metal frame
- » Available in black PU only
- » Minor assembly required
- » Suitable for indoor use only
- » 5 year warranty
- » Weight limit is 120kg

INDOOR USE ONLY

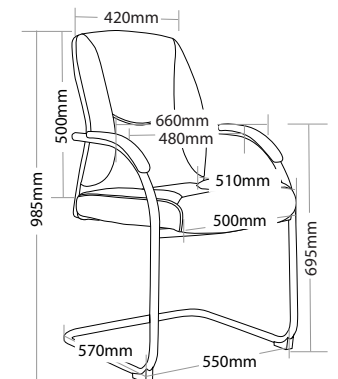
✗ Do not use as a step ladder



HILTON-H



HILTON-L



HILTON-VC

HILTON EXECUTIVE SEATING



HILTON-H



HILTON-L



HILTON-VC

R4 EXECUTIVE SEATING

CRUZ

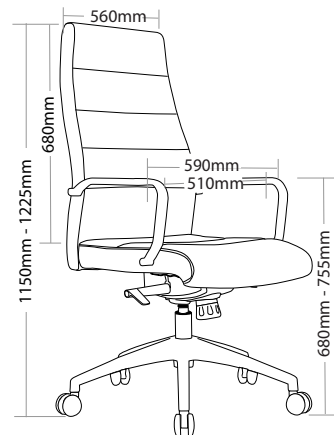
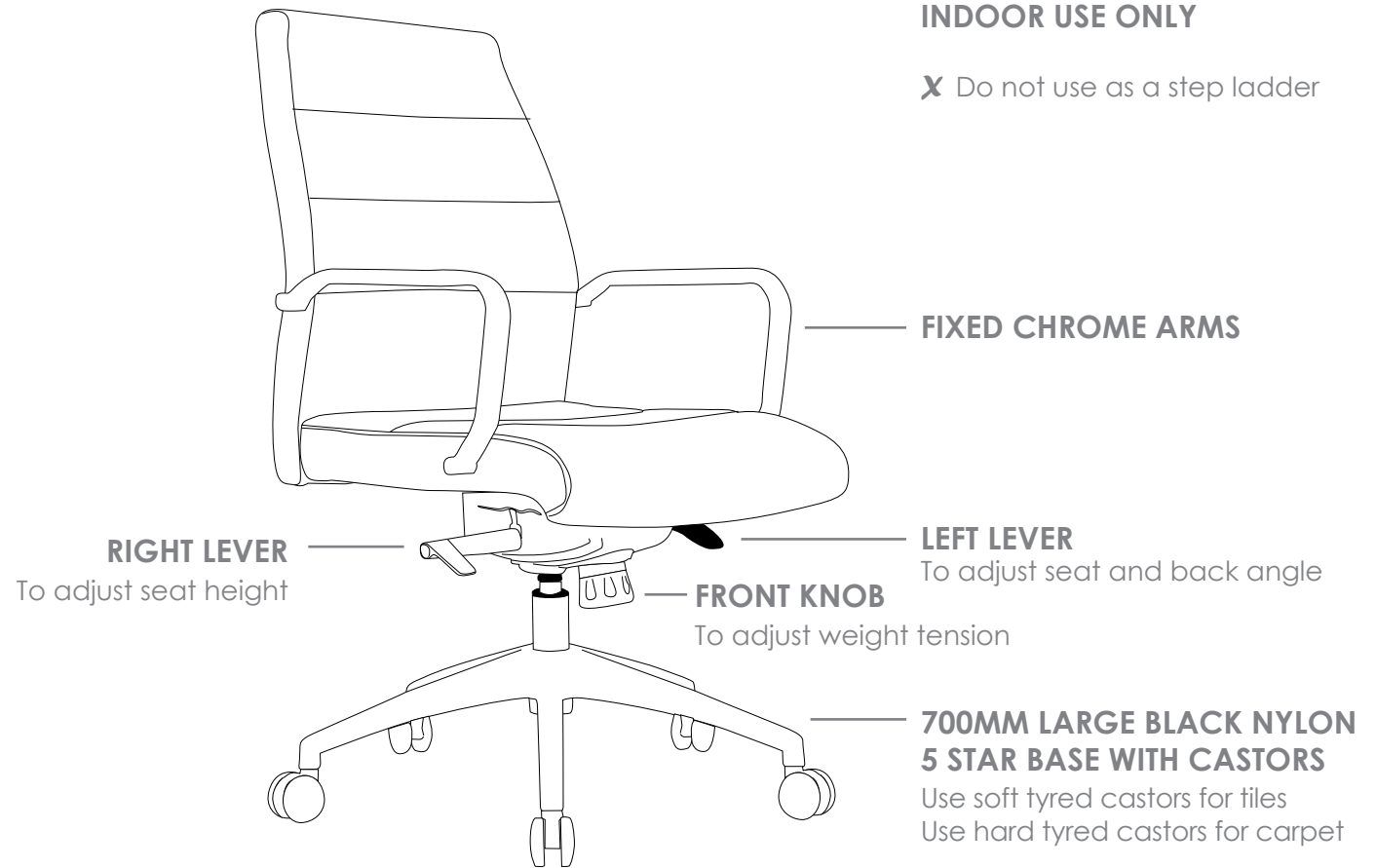


FEATURES

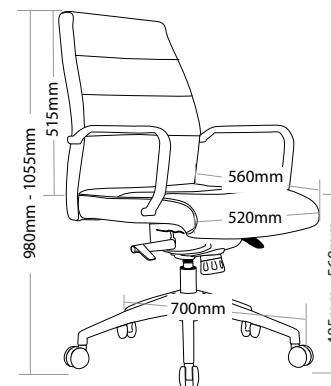
- » Adjustable seat height
- » Adjustable seat and back angle
- » Adjustable weight tension
- » Fixed chrome arms
- » Available in high and low back
- » Knee tilt mechanism with 3 locking positions
- » 700mm aluminium base
- » Available in black PU only
- » Minor assembly required
- » Suitable for indoor use only
- » 5 year warranty
- » Weight limit is 120kg

INDOOR USE ONLY

X Do not use as a step ladder



CRUZ-H



CRUZ-L

CRUZ EXECUTIVE SEATING



CRUZ-H



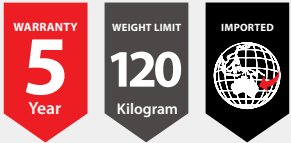
CRUZ-L



BACKVIEW

R4 EXECUTIVE SEATING

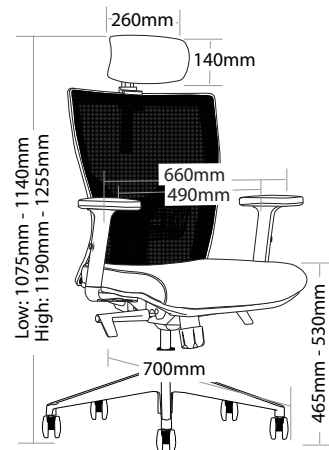
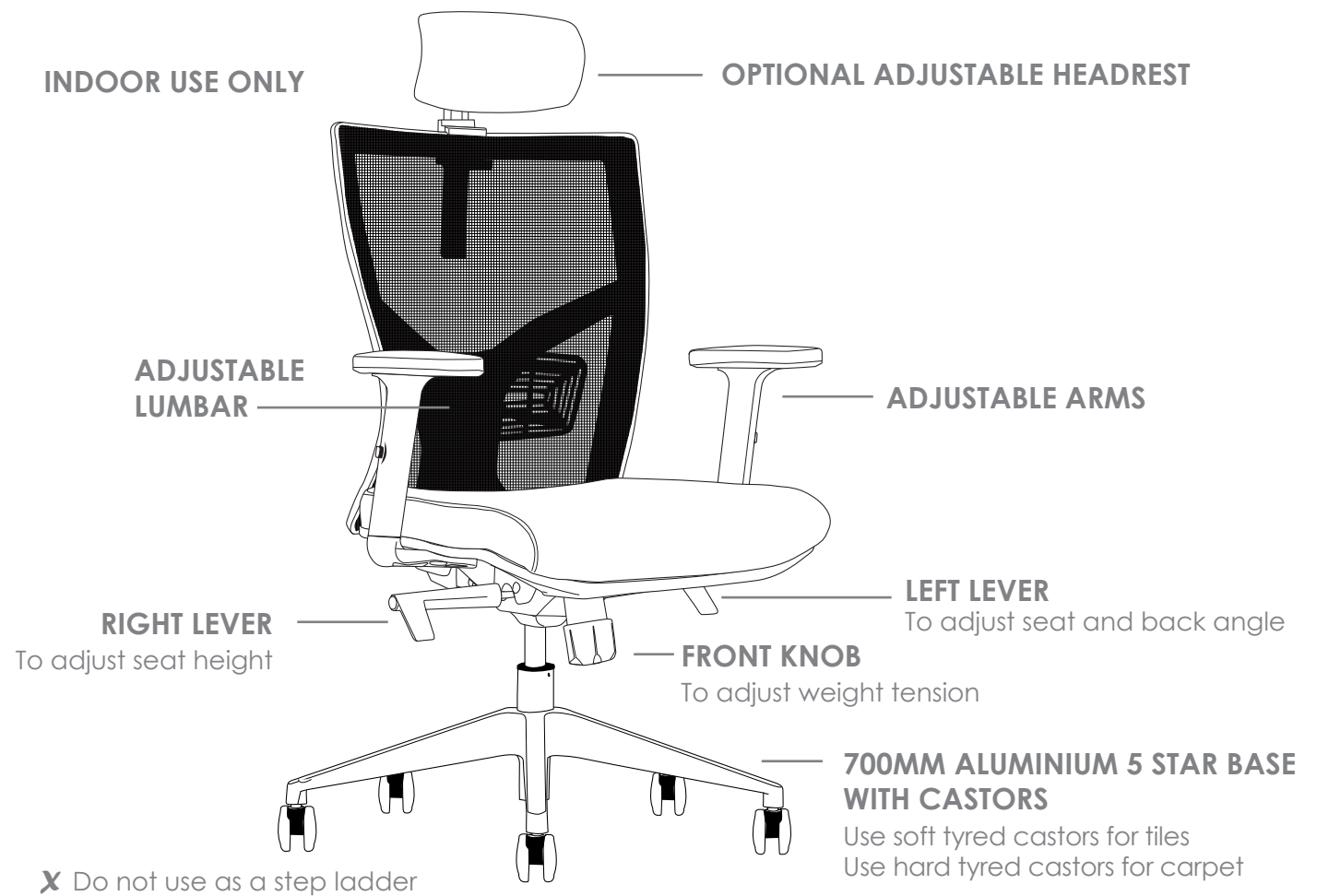
CENTRO



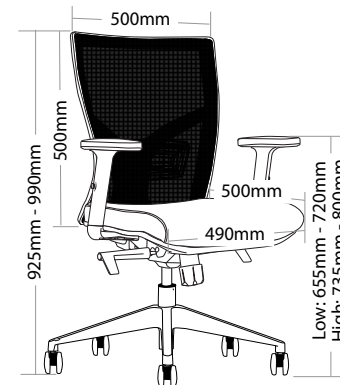
FEATURES

- » Adjustable seat height
- » Adjustable seat and back angle
- » Adjustable weight tension
- » Adjustable lumbar
- » Adjustable arms
- » Optional adjustable headrest
- » Plastic under pan
- » Synchron mechanism with 3 locking positions
- » 700mm aluminium base
- » Available in black only
- » Minor assembly required
- » Suitable for indoor use only
- » 5 year warranty
- » Weight limit is 120kg

INDOOR USE ONLY



CENTRO-H



CENTRO-L

CENTRO EXECUTIVE SEATING



CENTRO-H



CENTRO-L



BACKVIEW

R4 EXECUTIVE SEATING

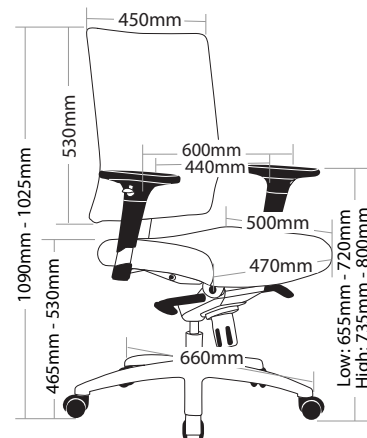
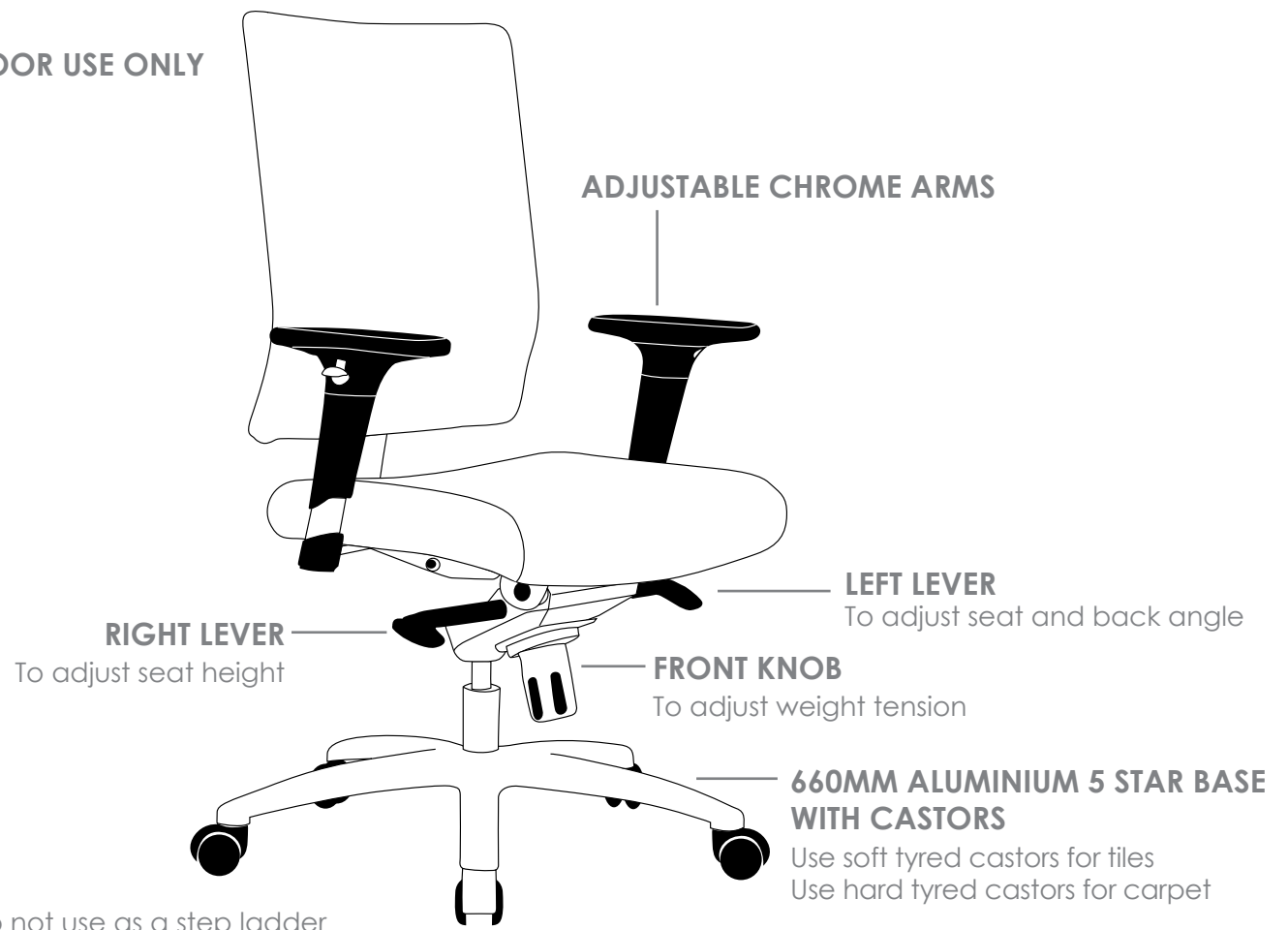
CLEO



FEATURES

- » Adjustable seat height
- » Adjustable seat and back angle
- » Adjustable weight tension
- » Adjustable chrome arms
- » Mesh back
- » Synchron mechanism with 3 locking positions
- » 660mm aluminium 5 star base with castors
- » Available in black only
- » Minor assembly required
- » Suitable for indoor use only
- » 5 year warranty
- » Weight limit is 120kg

INDOOR USE ONLY



CLEO

CLEO EXECUTIVE SEATING



CLEO



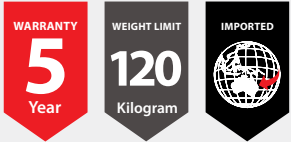
BACK VIEW



SIDE VIEW

R4 EXECUTIVE SEATING

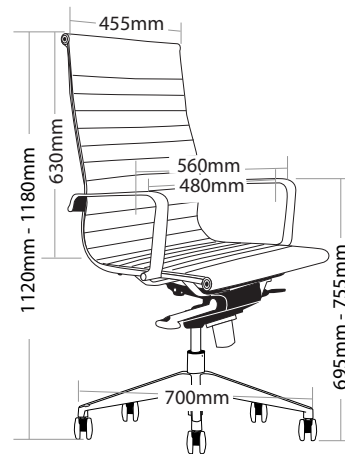
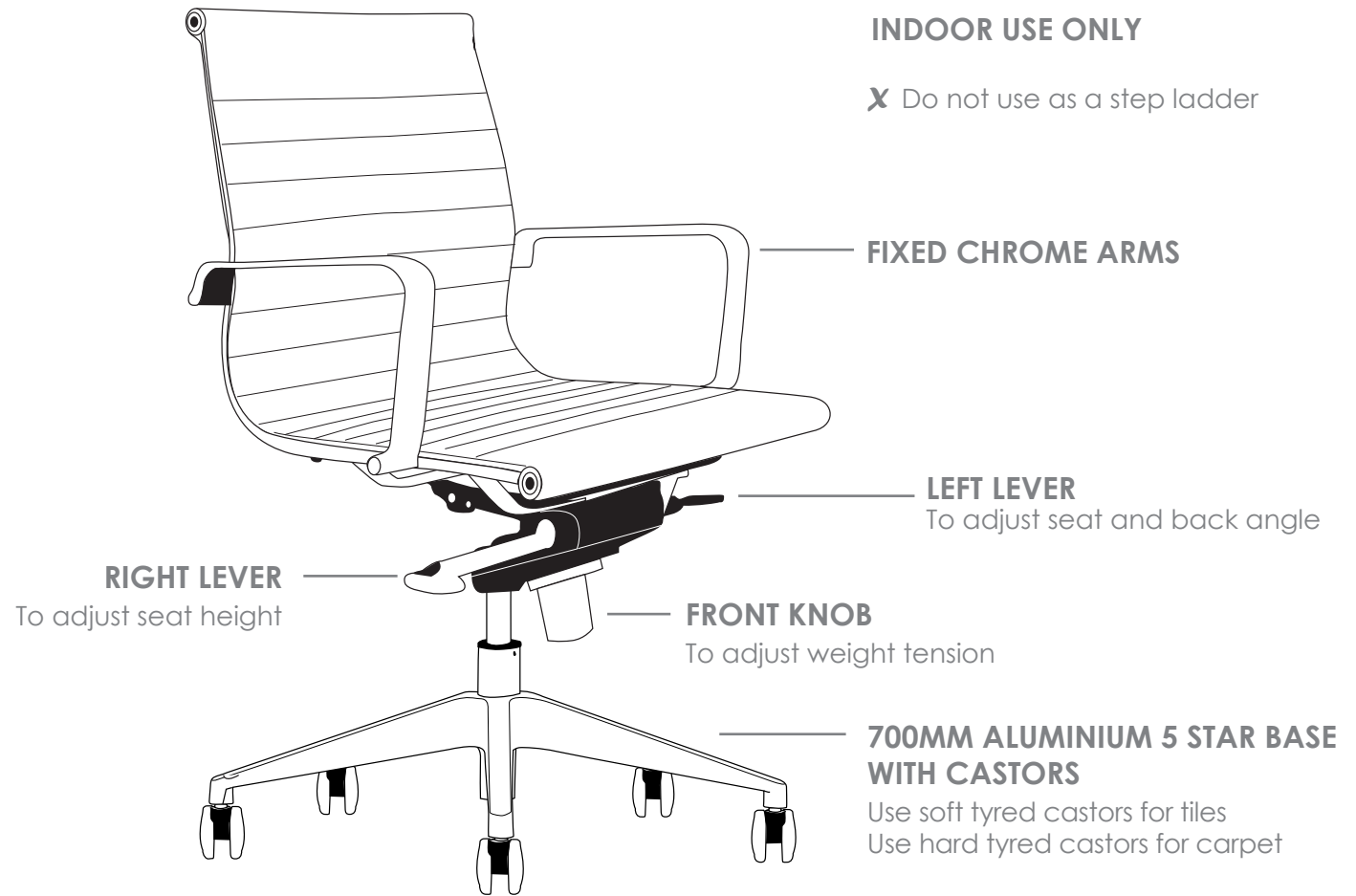
WEB



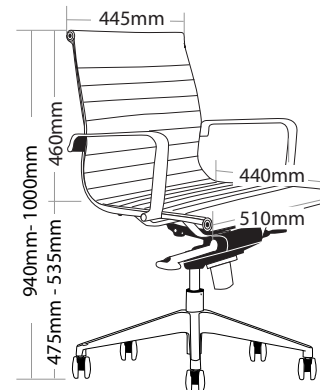
FEATURES

- » Adjustable seat height
- » Adjustable seat and back angle
- » Adjustable weight tension
- » Fixed chrome arms
- » Available in high and low back
- » Knee tilt mechanism with 3 locking positions
- » 700mm aluminium base
- » Available in black, red and white PU only
- » Minor assembly required
- » Suitable for indoor use only
- » 5 year warranty
- » Weight limit is 120kg

COLOUR



WEB-H



WEB-L

WEB EXECUTIVE SEATING



WEB-HB



WEB-HR



WEB-HW



WEB-LB



WEB-LR



WEB-LW

R4 EXECUTIVE SEATING

HUME



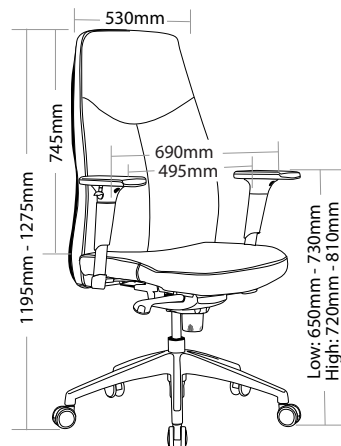
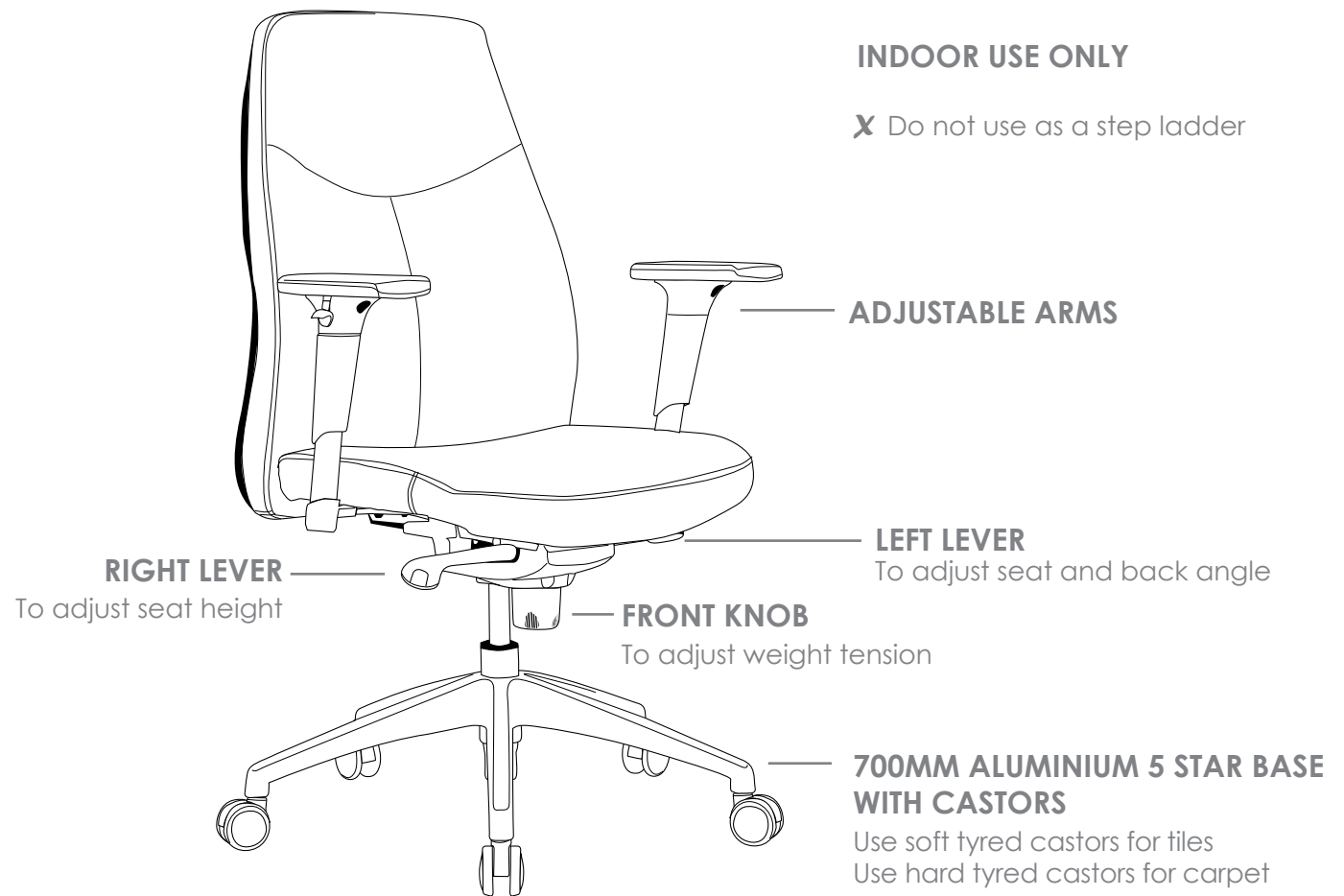
FEATURES

HUME-H/ HUME-L

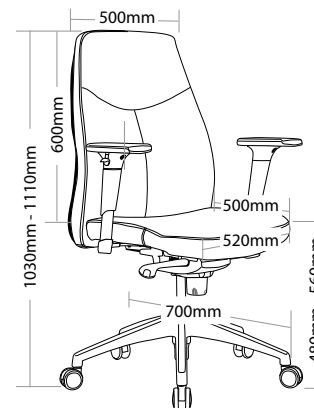
- » Adjustable seat height
- » Adjustable seat and back angle
- » Adjustable weight tension
- » Adjustable arms
- » Available in high and low back
- » High density foam
- » 700mm aluminium base
- » Synchron mechanism with 3 locking positions
- » Available in black PU only
- » Minor assembly required
- » Suitable for indoor use only
- » 5 year warranty
- » Weight limit is 120kg

HUME-VC

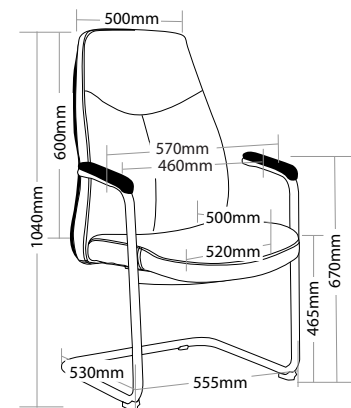
- » Chrome frame
- » High density foam
- » Available in black PU only
- » Minor assembly required
- » Suitable for indoor use only
- » 5 year warranty
- » Weight limit is 120kg



HUME-H



HUME-L



HUME-VC

HUME EXECUTIVE SEATING



HUME-H



HUME-L



HUME-VC

R4 EXECUTIVE SEATING

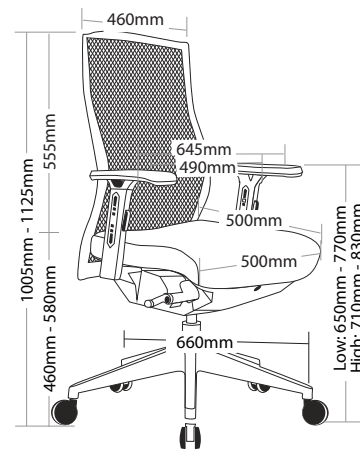
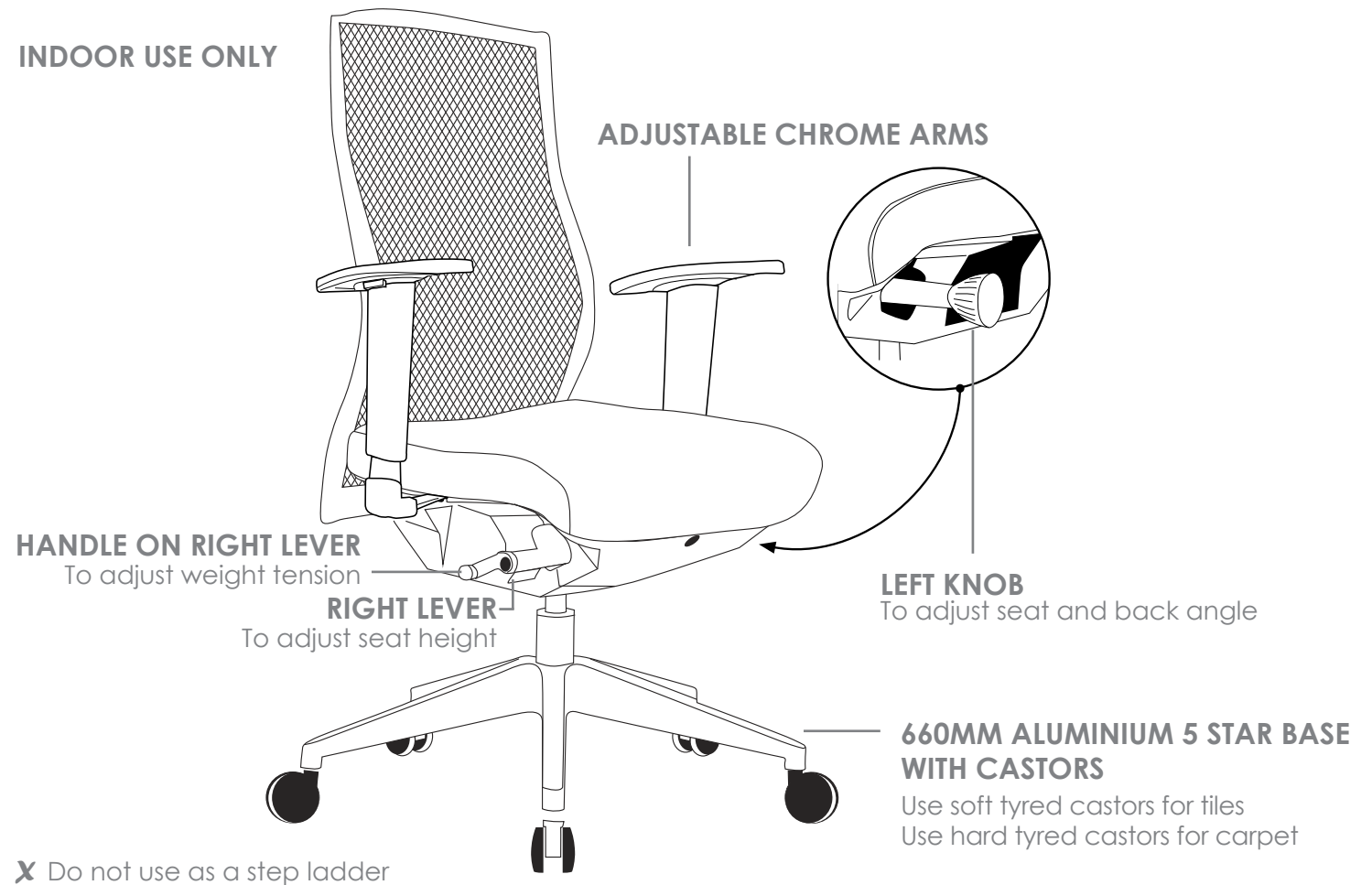
STING



FEATURES

- » Adjustable seat height
- » Adjustable seat and back angle
- » Adjustable weight tension
- » Adjustable chrome arms
- » Plastic deep under pan
- » Mesh back
- » Synchron mechanism with 3 locking positions
- » 660mm aluminium base
- » Available in black only
- » Minor assembly required
- » Suitable for indoor use only
- » 5 year warranty
- » Weight limit is 120kg

INDOOR USE ONLY



STING

STING EXECUTIVE SEATING



STING



BACK VIEW



SIDE VIEW

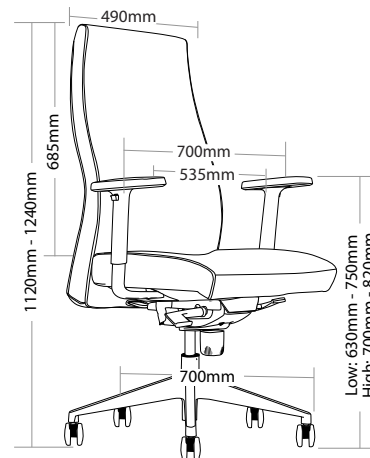
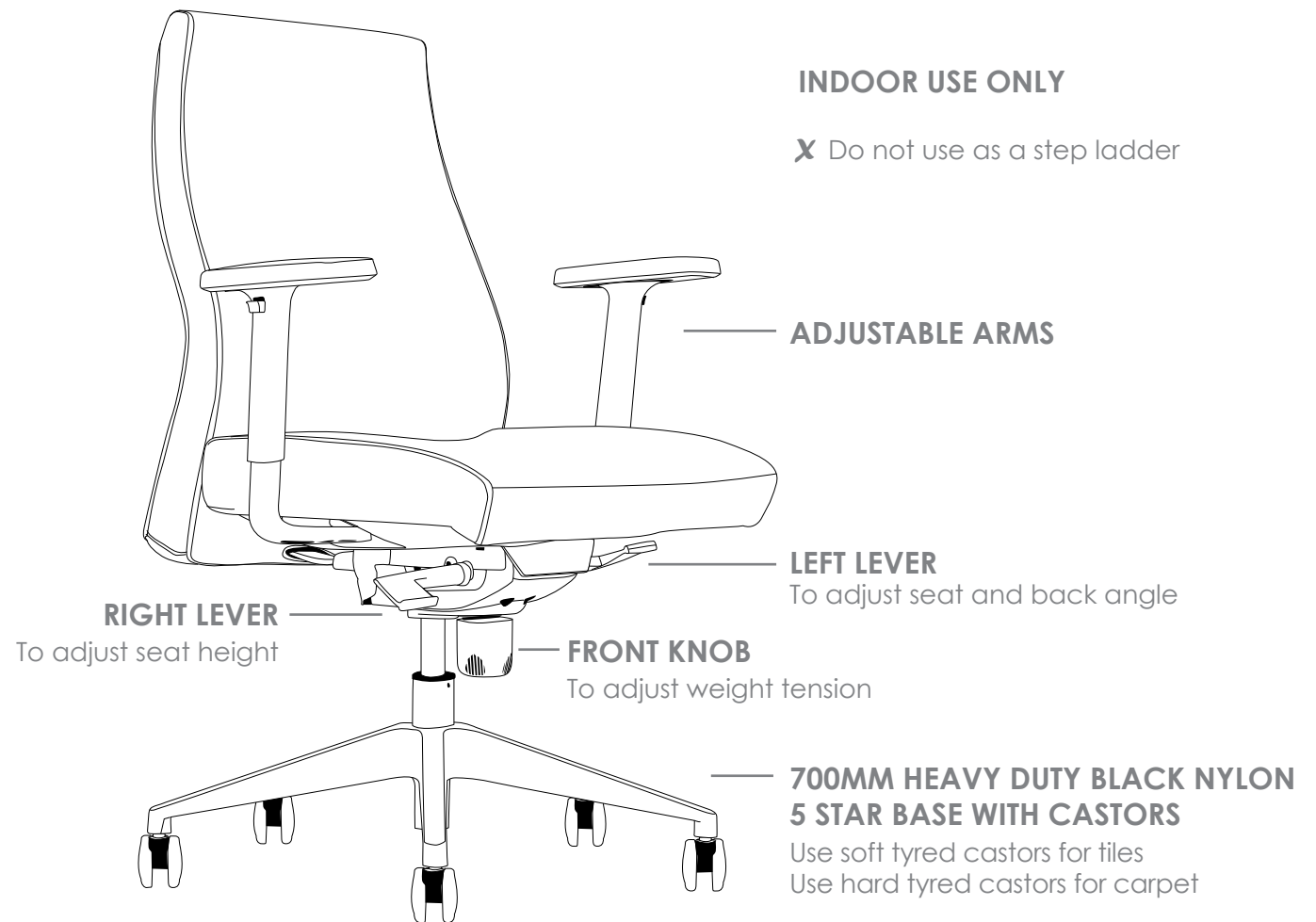
R4 EXECUTIVE SEATING

VENUS

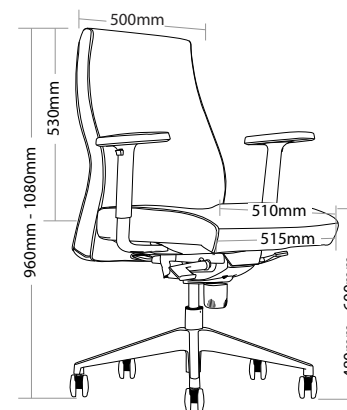


FEATURES

- » Adjustable seat height
- » Adjustable seat and back angle
- » Adjustable weight tension
- » Adjustable arms
- » Available in high and low back
- » Plastic under pan
- » Moulded seat and back foam
- » Synchron mechanism with 3 locking positions
- » 700mm heavy duty black nylon base
- » Available in black PU only
- » Minor assembly required
- » Suitable for indoor use only
- » 5 year warranty
- » Weight limit is 130kg



VENUS-H



VENUS-L

VENUS EXECUTIVE SEATING



VENUS-H



VENUS-L



BACKVIEW

R4 EXECUTIVE SEATING

BOSTON



FEATURES

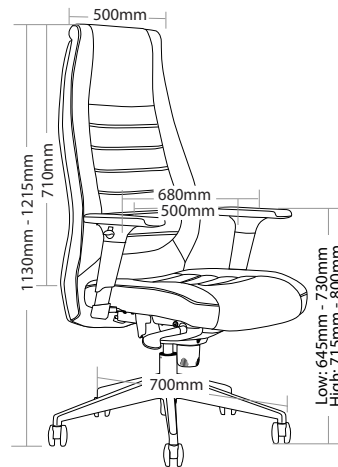
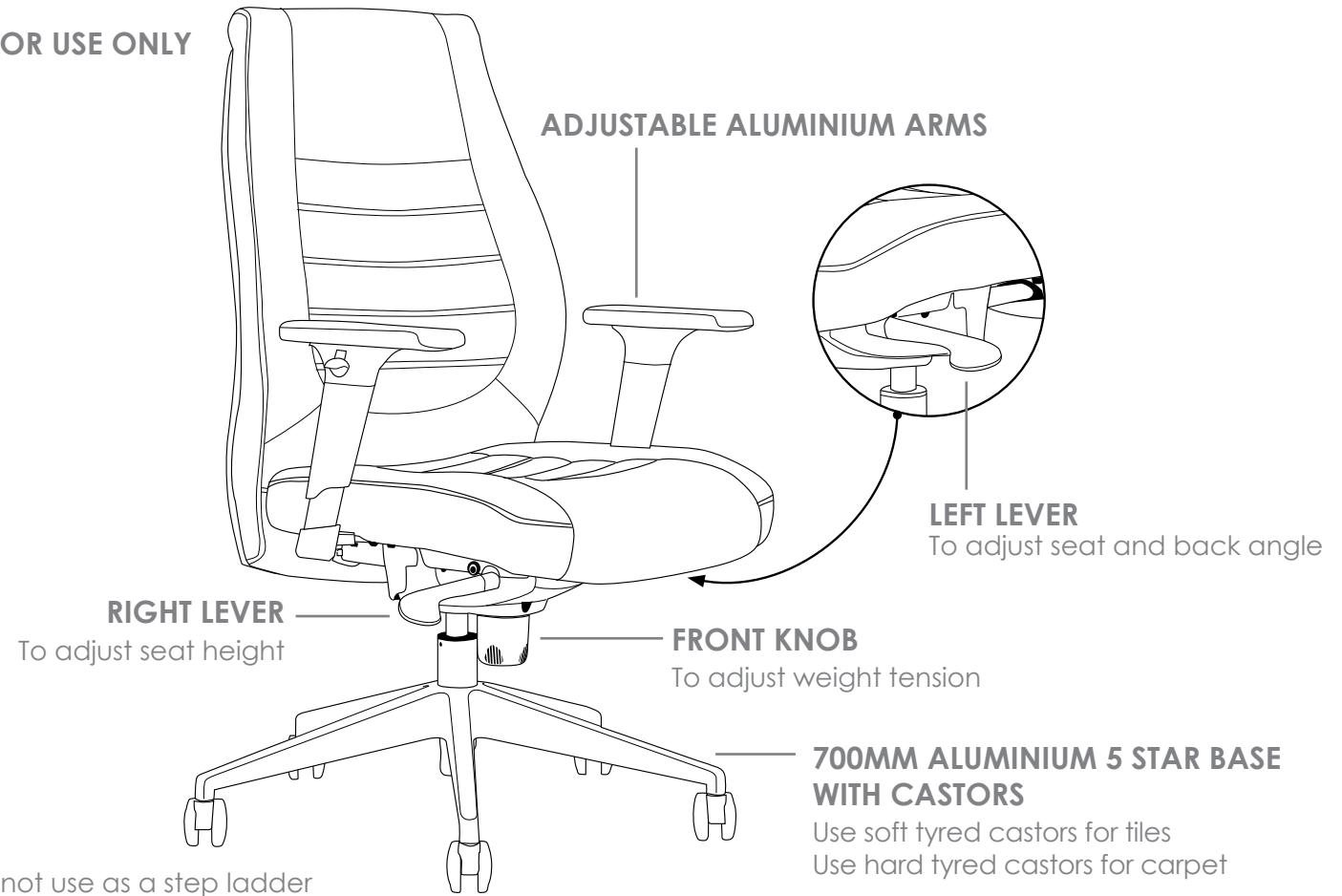
BOSTON-H/ BOSTON-L

- » Adjustable seat height
- » Adjustable seat and back angle
- » Adjustable weight tension
- » Adjustable aluminium arms
- » Available in high and low back
- » High density foam
- » Synchron mechanism with 3 locking positions
- » 700mm aluminium base
- » Available in black PU only
- » Minor assembly required
- » Suitable for indoor use only
- » 5 year warranty
- » Weight limit is 120kg

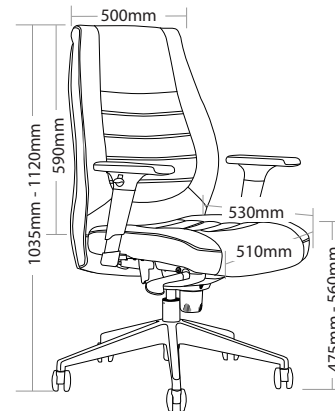
BOSTON-VC

- » Chrome frame
- » High density foam
- » Available in black PU only
- » Minor assembly required
- » Suitable for indoor use only
- » 5 year warranty
- » Weight limit is 120kg

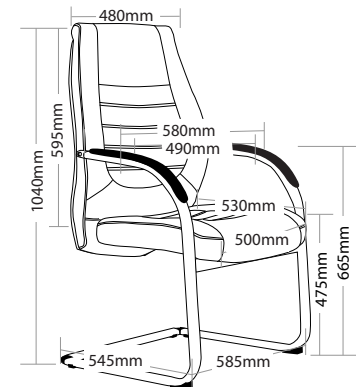
INDOOR USE ONLY



BOSTON-H



BOSTON-L



BOSTON-VC

BOSTON EXECUTIVE SEATING



BOSTON-H



BOSTON-L



BOSTON-VC

R4 EXECUTIVE SEATING

CAMRY



FEATURES

CAMRY-H/ CAMRY-L

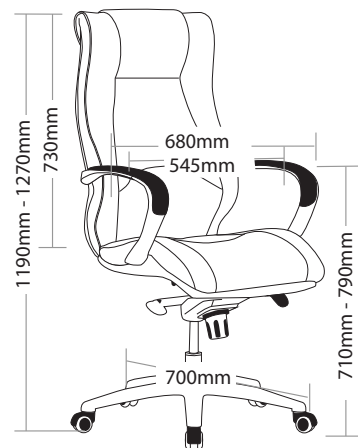
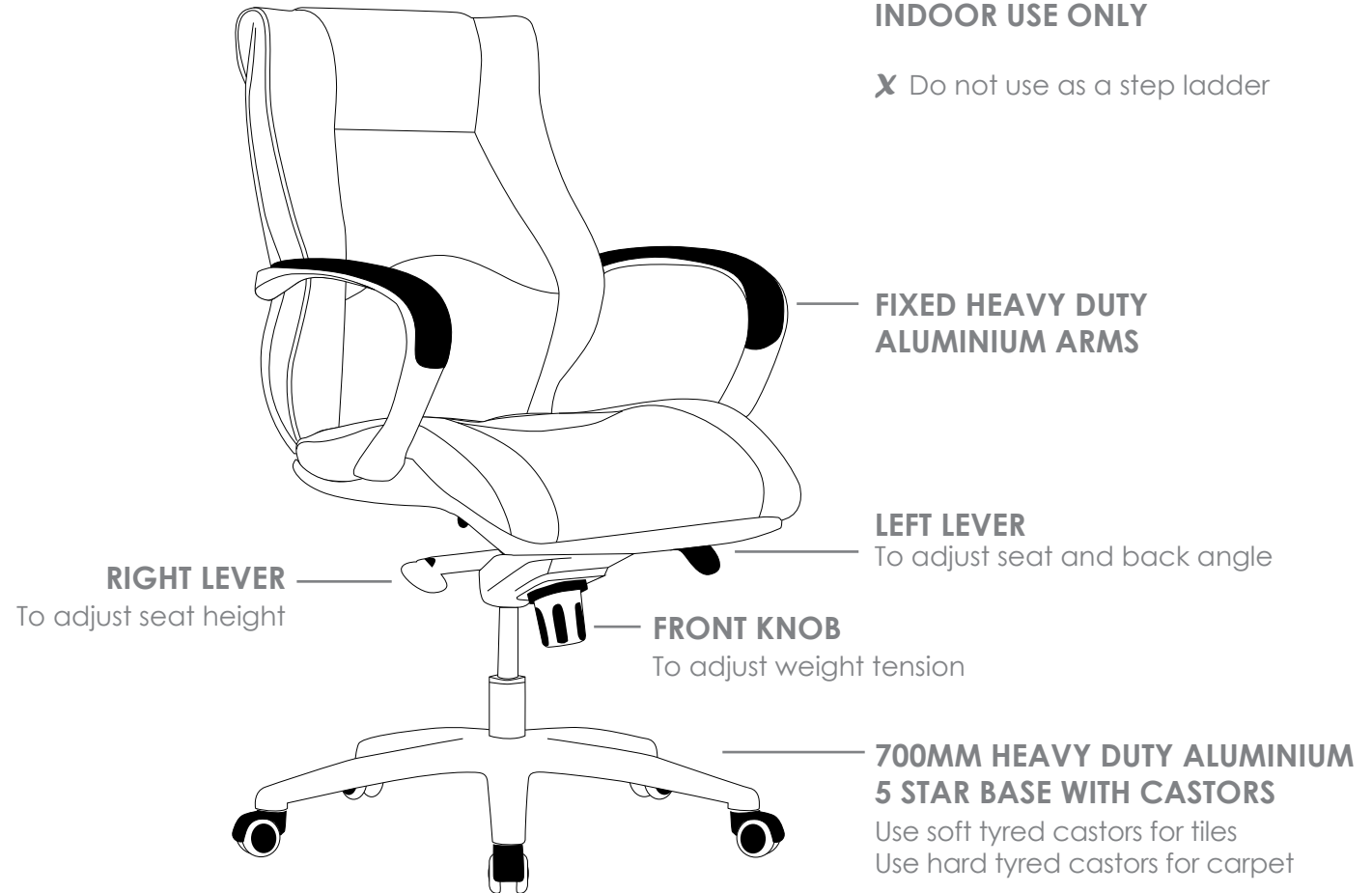
- » Adjustable seat height
- » Adjustable seat and back angle
- » Adjustable weight tension
- » Available in high and low back
- » Fixed heavy duty aluminium arms
- » High density foam
- » Knee tilt mechanism with 3 locking positions
- » 700mm heavy duty aluminium base
- » Available in black PU only
- » Minor assembly required
- » Suitable for indoor use only
- » 5 year warranty
- » Weight limit is 120kg

CAMRY-VC

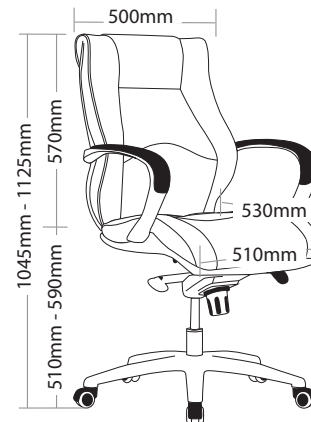
- » Chrome frame
- » High density foam
- » Available in black PU only
- » Minor assembly required
- » Suitable for indoor use only
- » 5 year warranty
- » Weight limit is 120kg

INDOOR USE ONLY

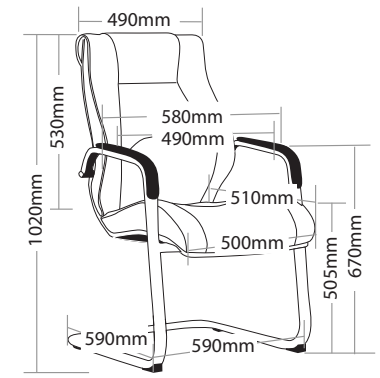
X Do not use as a step ladder



CAMRY-H



CAMRY-L



CAMRY-VC

CAMRY EXECUTIVE SEATING



CAMRY-H



CAMRY-L



CAMRY-VC

R4 EXECUTIVE SEATING

OHIO



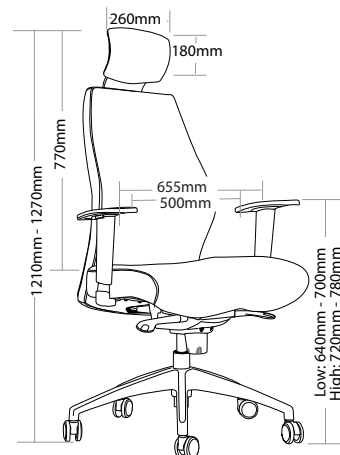
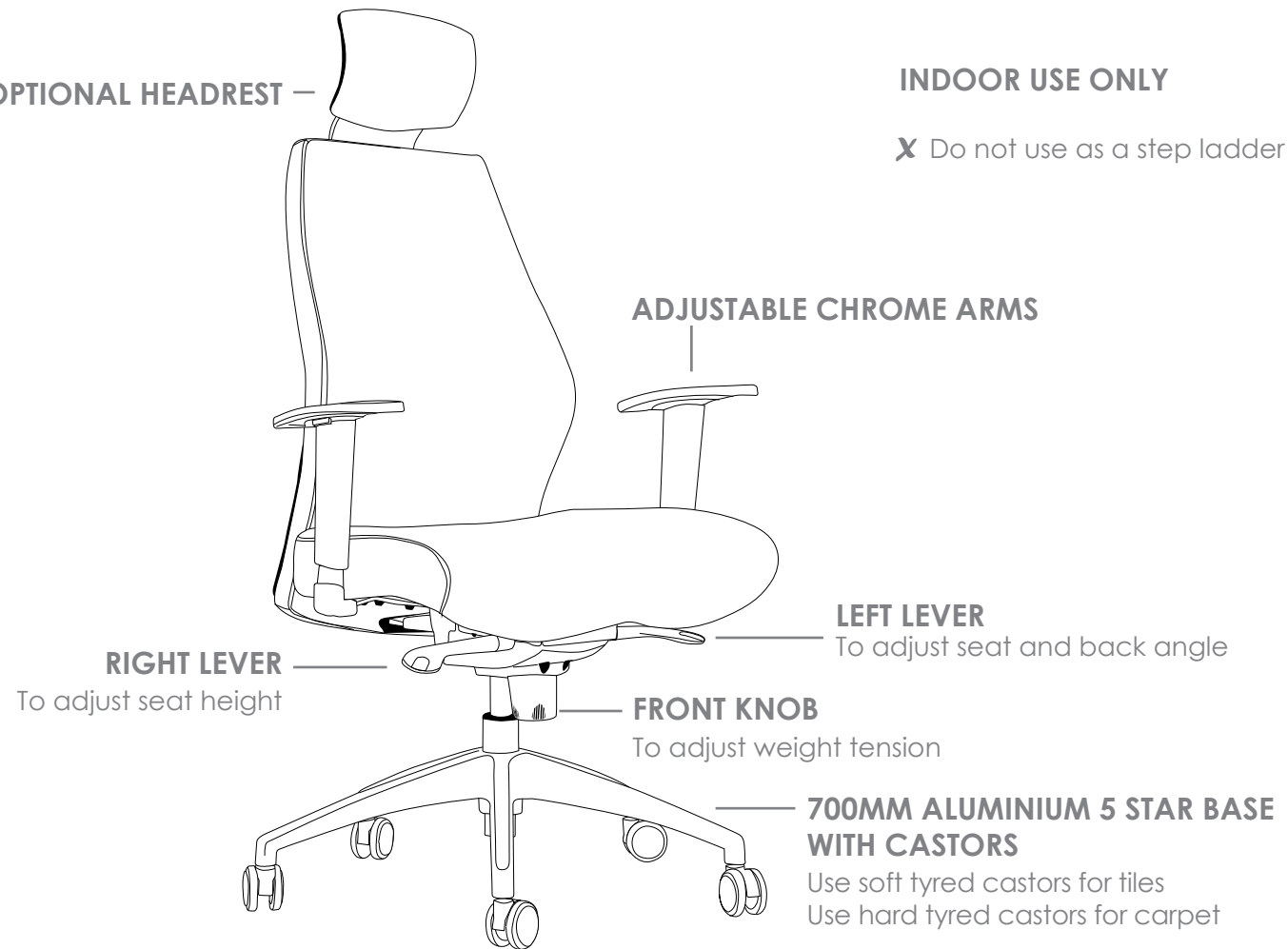
FEATURES

- » Adjustable seat height
- » Adjustable seat and back angle
- » Adjustable weight tension
- » Adjustable chrome arms
- » Optional headrest
- » Moulded back foam
- » Saddle seat
- » Synchron mechanism with 3 locking positions
- » 700mm aluminium base
- » Available in black PU only
- » Minor assembly required
- » Suitable for indoor use only
- » 5 year warranty
- » Weight limit is 130kg

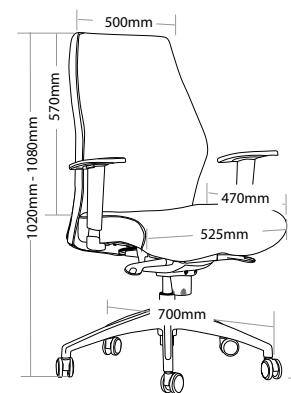
OPTIONAL HEADREST —

INDOOR USE ONLY

✗ Do not use as a step ladder



OHIO-H



OHIO-L

OHIO EXECUTIVE SEATING



OHIO-H



OHIO-L



BACKVIEW

R4 EXECUTIVE SEATING

KUBE



FEATURES

- » Adjustable seat height
- » Adjustable seat and back angle
- » Adjustable seat depth (seat slider)
- » Adjustable weight tension
- » Adjustable lumbar
- » Adjustable arms
- » Optional adjustable headrest
- » Synchron mechanism with 3 locking positions
- » 670mm black nylon 5 star base
- » Available in black only
- » BIFMA tested
- » Minor assembly required
- » Suitable for indoor use only
- » 5 year warranty
- » Weight limit is 130kg

INDOOR USE ONLY

OPTIONAL ADJUSTABLE HEADREST

ADJUSTABLE LUMBAR

ADJUSTABLE ARMS

LEFT KNOB
To adjust seat and back angle

RIGHT KNOB
To adjust weight tension

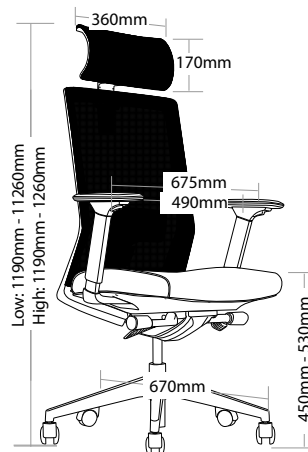
INNER RIGHT LEVER
To adjust seat height

INNER LEFT LEVER
To adjust seat depth (seat slider)

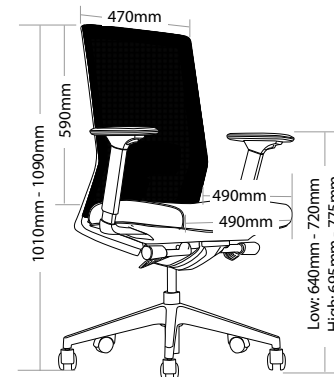
670MM BLACK NYLON 5 STAR BASE WITH CASTORS

Use soft tyred castors for tiles
Use hard tyred castors for carpet

X Do not use as a step ladder



KUBE-H



KUBE-L

KUBE EXECUTIVE SEATING



KUBE-H



KUBE-L



BACK VIEW

R4 EXECUTIVE SEATING

GRAND



FEATURES

GRAND-H/ GRAND-L

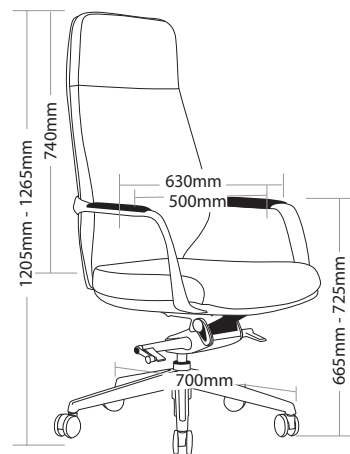
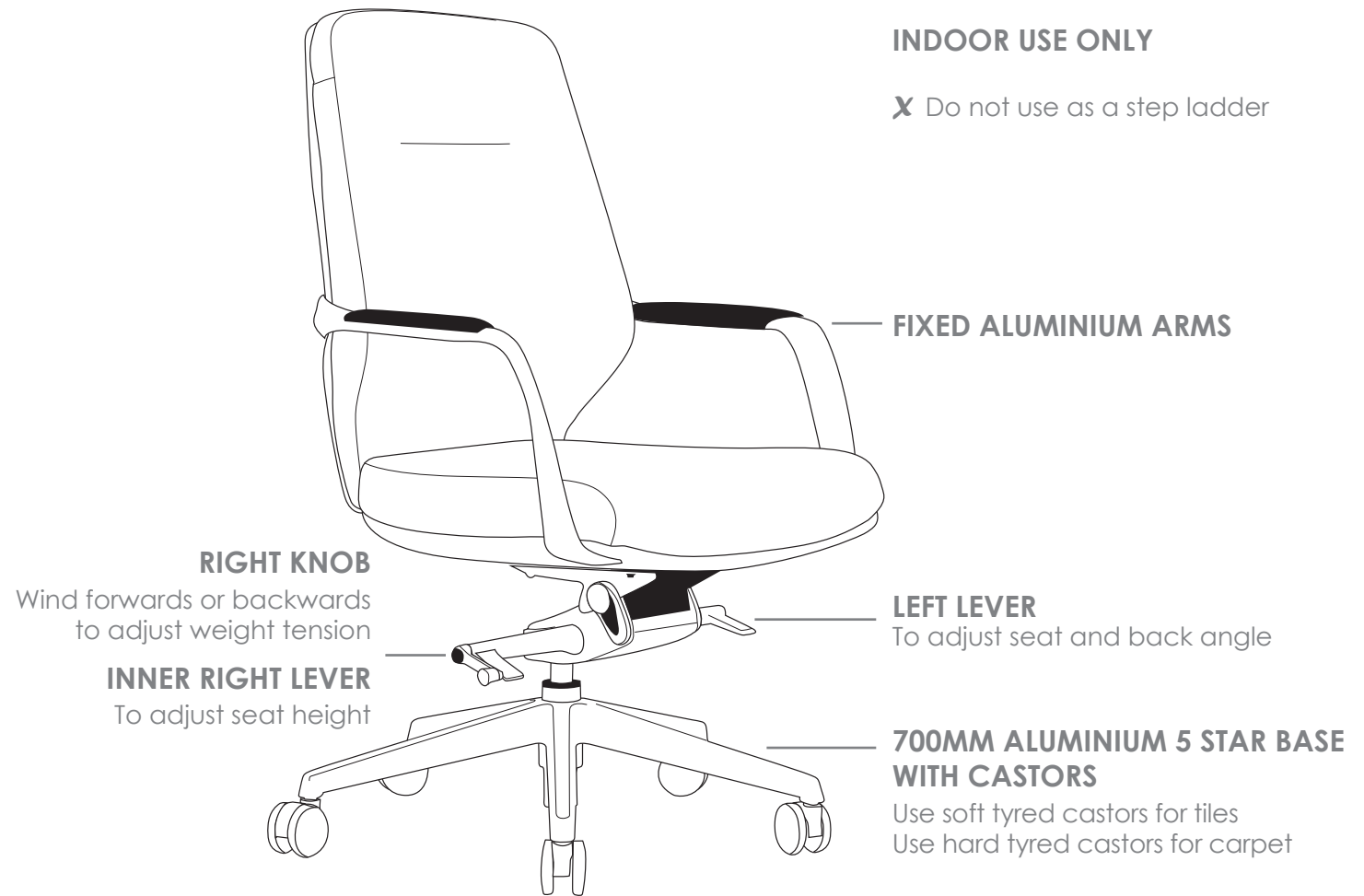
- » Adjustable seat height
- » Adjustable seat and back angle
- » Adjustable weight tension
- » Available in high and low back
- » Fixed aluminium arms
- » High density foam
- » Knee tilt mechanism with 3 locking positions
- » 700mm aluminium base
- » Available in black PU only
- » Minor assembly required
- » Suitable for indoor use only
- » 5 year warranty
- » Weight limit is 120kg

GRAND-VC

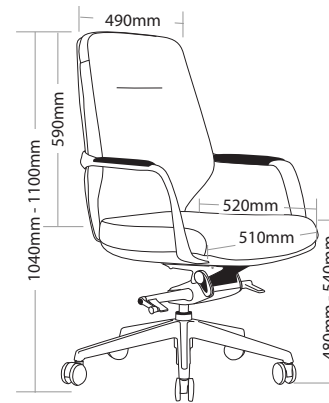
- » Chrome frame
- » High density foam
- » Available in black PU only
- » Minor assembly required
- » Suitable for indoor use only
- » 5 year warranty
- » Weight limit is 120kg

INDOOR USE ONLY

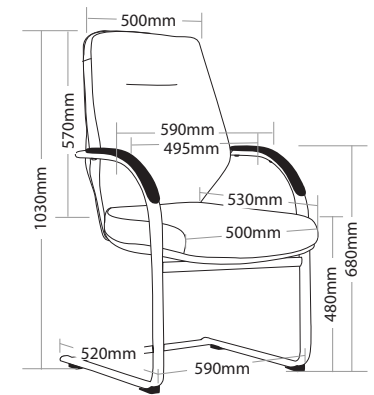
✘ Do not use as a step ladder



GRAND-H



GRAND-L



GRAND-VC

GRAND EXECUTIVE SEATING



GRAND-H



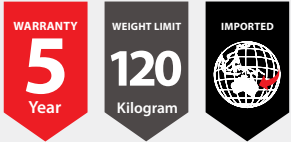
GRAND-L



GRAND-VC

R4 EXECUTIVE SEATING

FLASH



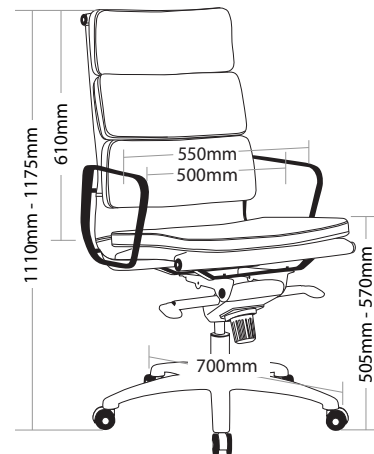
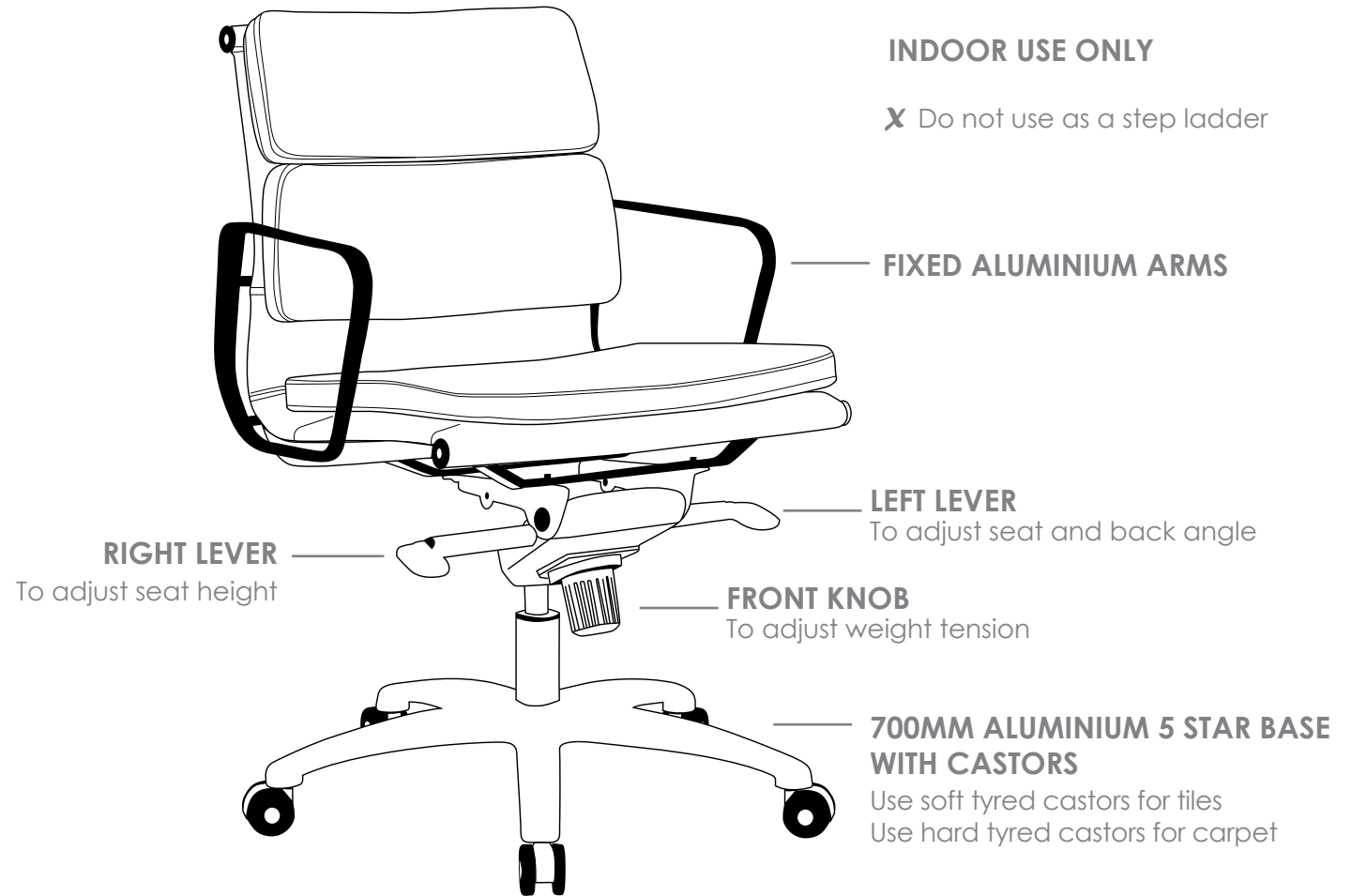
FEATURES

FLEX1H/ FLEX1L

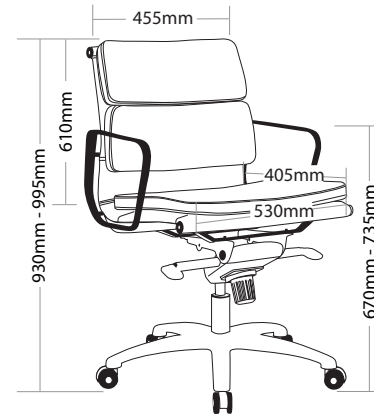
- » Adjustable seat height
- » Adjustable seat and back angle
- » Adjustable weight tension
- » Fixed arms
- » Available in high and low back
- » Knee tilt mechanism with 3 locking positions
- » 700mm aluminium base
- » Aluminium frame
- » Available in black leather only
- » Minor assembly required
- » Suitable for indoor use only
- » 5 year warranty
- » Weight limit is 120kg

FLVC1

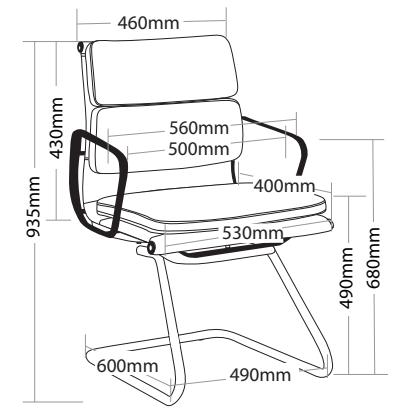
- » Aluminium cantilever frame
- » Available in black leather only
- » Minor assembly required
- » Suitable for indoor use only
- » 5 year warranty
- » Weight limit is 120kg



FLEX1H



FLEX1L



FLVC1

FLASH EXECUTIVE SEATING



FLEX1H



FLEX1L



FLVC1

R4 EXECUTIVE SEATING

ZODIAC



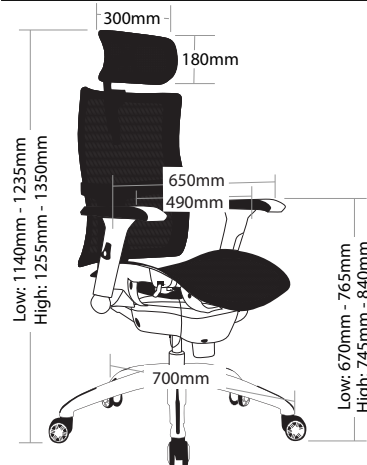
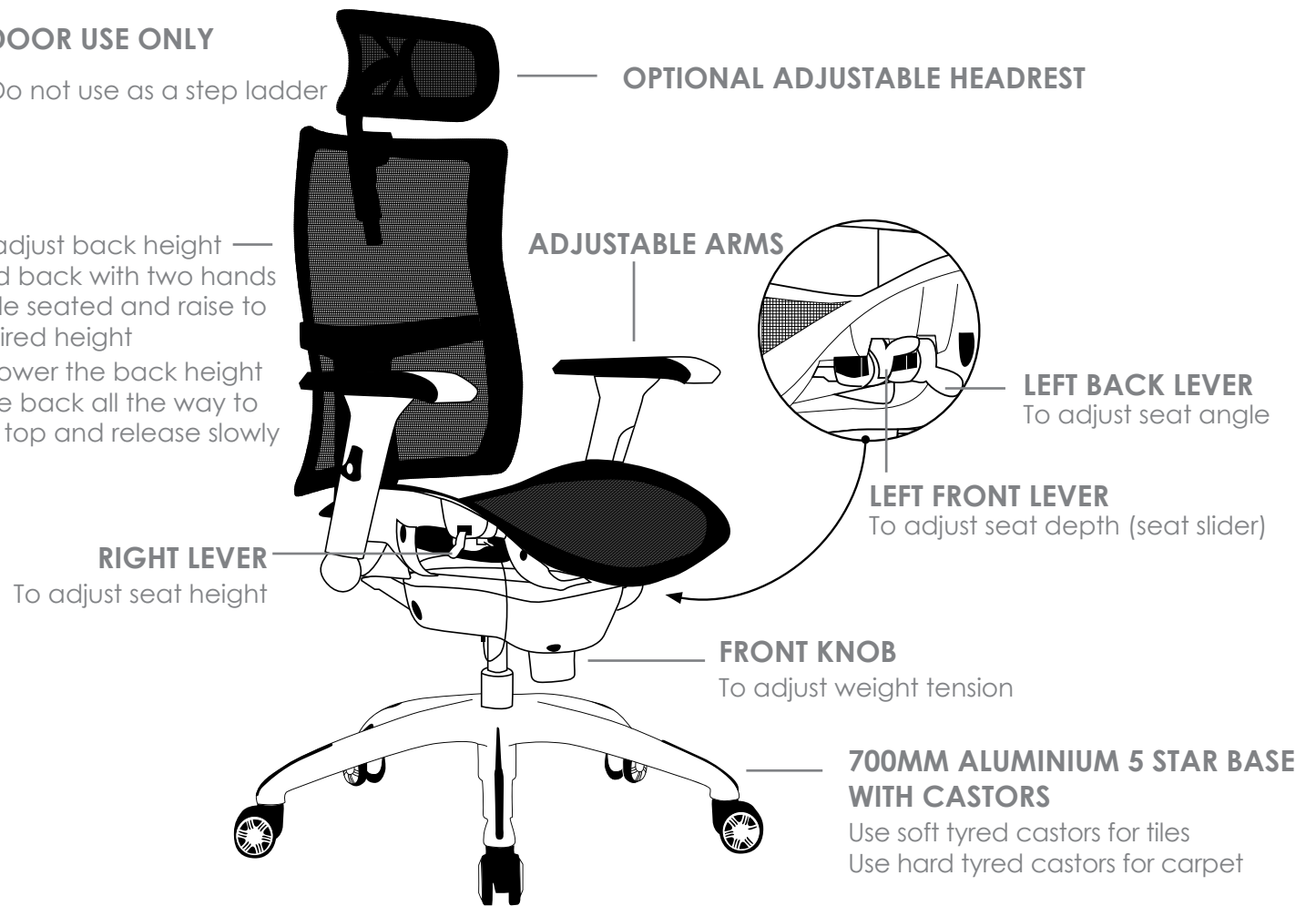
FEATURES

- » Adjustable seat height cable controlled
- » Adjustable back height (ratchet)
- » Adjustable seat and back angle cable controlled
- » Adjustable seat depth (seat slider) cable controlled
- » Adjustable weight tension
- » Optional adjustable headrest
- » Adjustable arms
- » Synchron mechanism with 3 locking positions
- » 700mm aluminium base
- » Available in black only
- » BIFMA tested
- » Minor assembly required
- » Suitable for indoor use only
- » 5 year warranty
- » Weight limit is 120kg

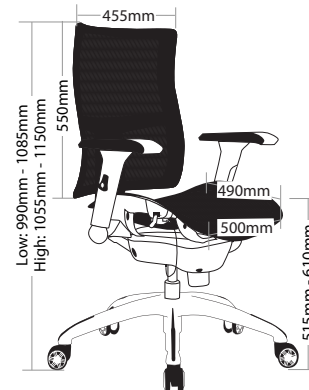
INDOOR USE ONLY

X Do not use as a step ladder

To adjust back height — hold back with two hands while seated and raise to desired height
To lower the back height raise back all the way to the top and release slowly



ZODIAC-H



ZODIAC-L

ZODIAC EXECUTIVE SEATING



ZODIAC-H



ZODIAC-L



BACK VIEW

R4 EXECUTIVE SEATING

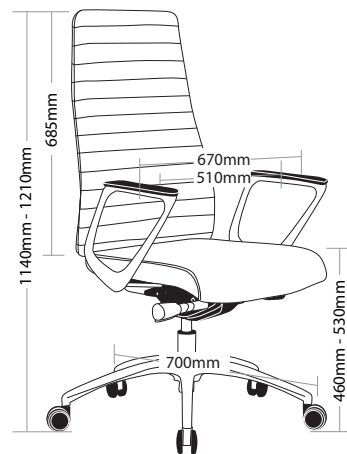
ENZO



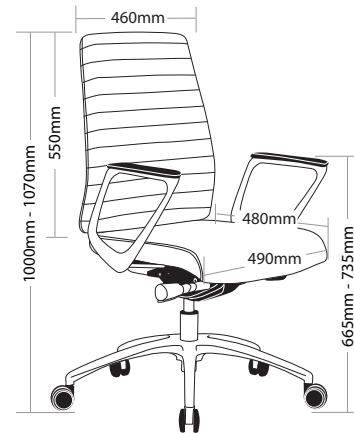
FEATURES

- » Adjustable seat height
- » Adjustable seat and back angle
- » Adjustable seat depth (seat slider)
- » Adjustable weight tension
- » Fixed aluminium arms
- » Available in high and low back
- » Ribbed back
- » Synchron mechanism with 3 locking positions
- » 700mm aluminium base
- » Available in black leather only
- » Suitable for indoor use only
- » 3 year warranty
- » Weight limit is 120kg

INDOOR USE ONLY



ENZO-H



ENZO-L

ENZO EXECUTIVE SEATING



ENZO-H



ENZO-L



BACKVIEW

R4 EXECUTIVE SEATING

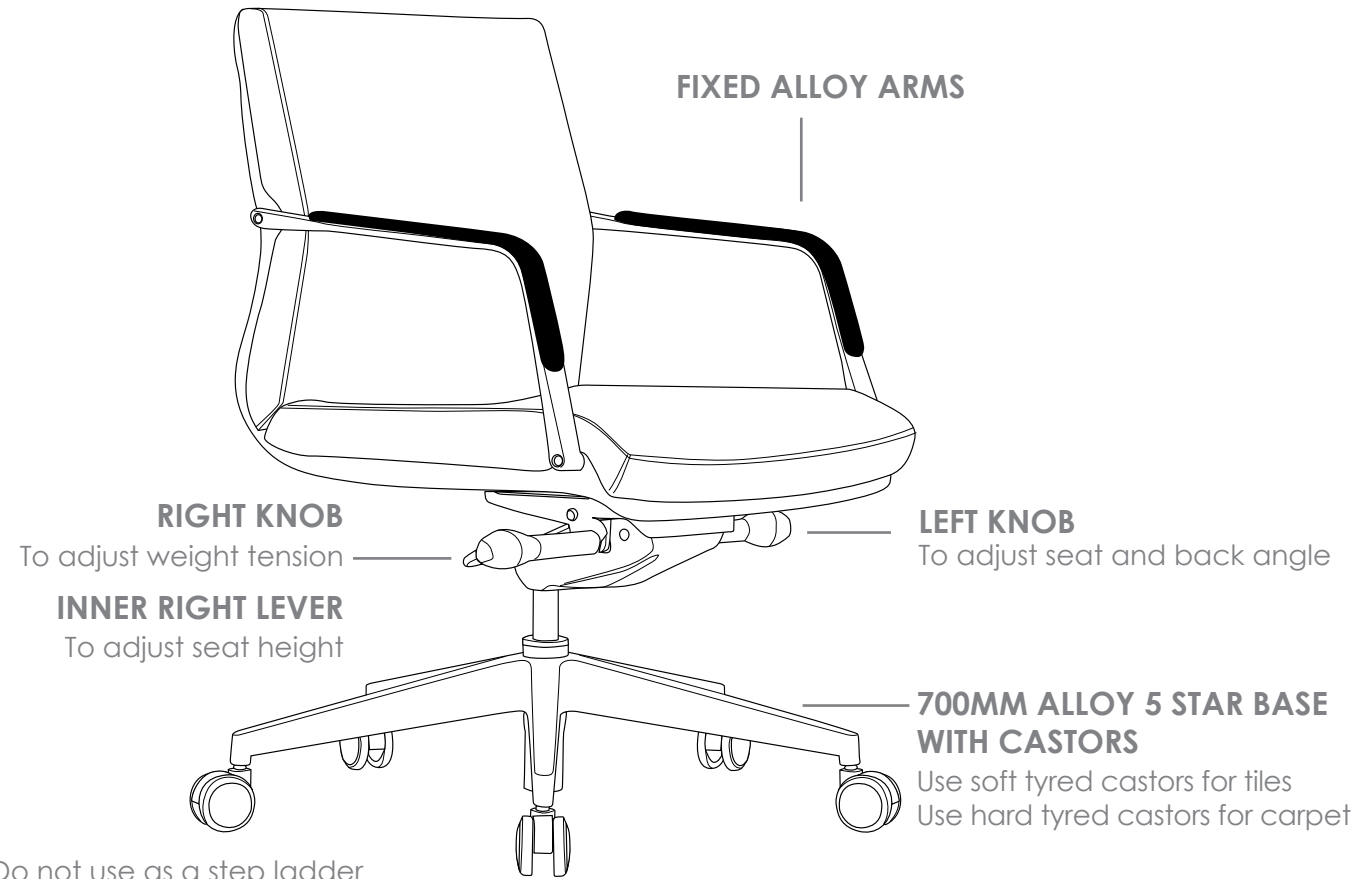
SELECT



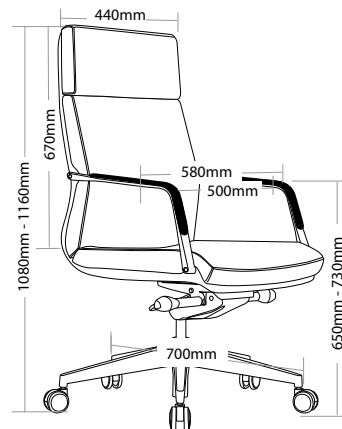
FEATURES

- » Adjustable seat height
- » Adjustable seat and back angle
- » Adjustable weight tension
- » Available in high and low back
- » Fixed alloy arms
- » Knee tilt mechanism with 4 locking positions
- » 700mm alloy base
- » Available in A grade Italian leather only
- » Minor assembly required
- » Suitable for indoor use only
- » 5 year warranty
- » Weight limit 130kg

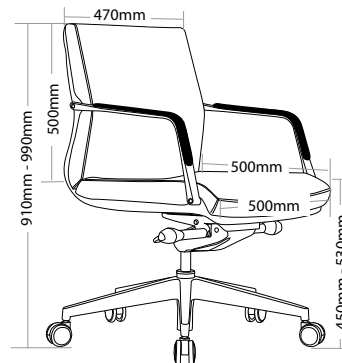
INDOOR USE ONLY



X Do not use as a step ladder



SELECT-H



SELECT-L

SELECT EXECUTIVE SEATING



SELECT-H



SELECT-L



BACK VIEW

R4 EXECUTIVE SEATING

EVITA

FEATURES



EVITA-TA

- » Adjustable seat height
- » Adjustable seat and back angle
- » Adjustable lumbar
- » Adjustable arms
- » Synchron mechanism with 3 locking positions
- » 680mm black nylon base
- » Moulded seat foam
- » Korean mesh back
- » Available in black only
- » Minor assembly required
- » Suitable for indoor use only
- » 5 year warranty
- » Weight limit is 120kg



EVITA-H/EVITA-L

- » Adjustable seat height
- » Adjustable seat and back angle
- » Adjustable seat depth (seat slider)
- » Adjustable weight tension
- » Adjustable lumbar
- » Adjustable arms
- » Optional adjustable headrest
- » Moulded seat foam
- » Korean mesh back
- » Synchron mechanism with 3 locking positions
- » 700mm aluminium base
- » Available in black only
- » BIFMA tested
- » Minor assembly required
- » Suitable for indoor use only
- » 5 year warranty
- » Weight limit is 120kg



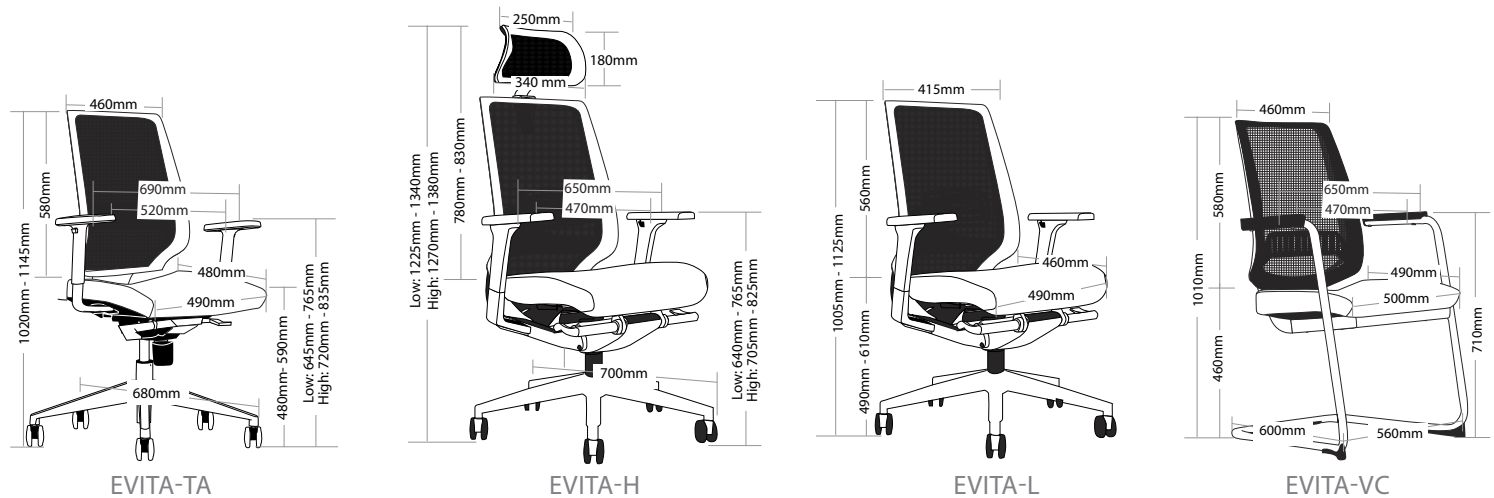
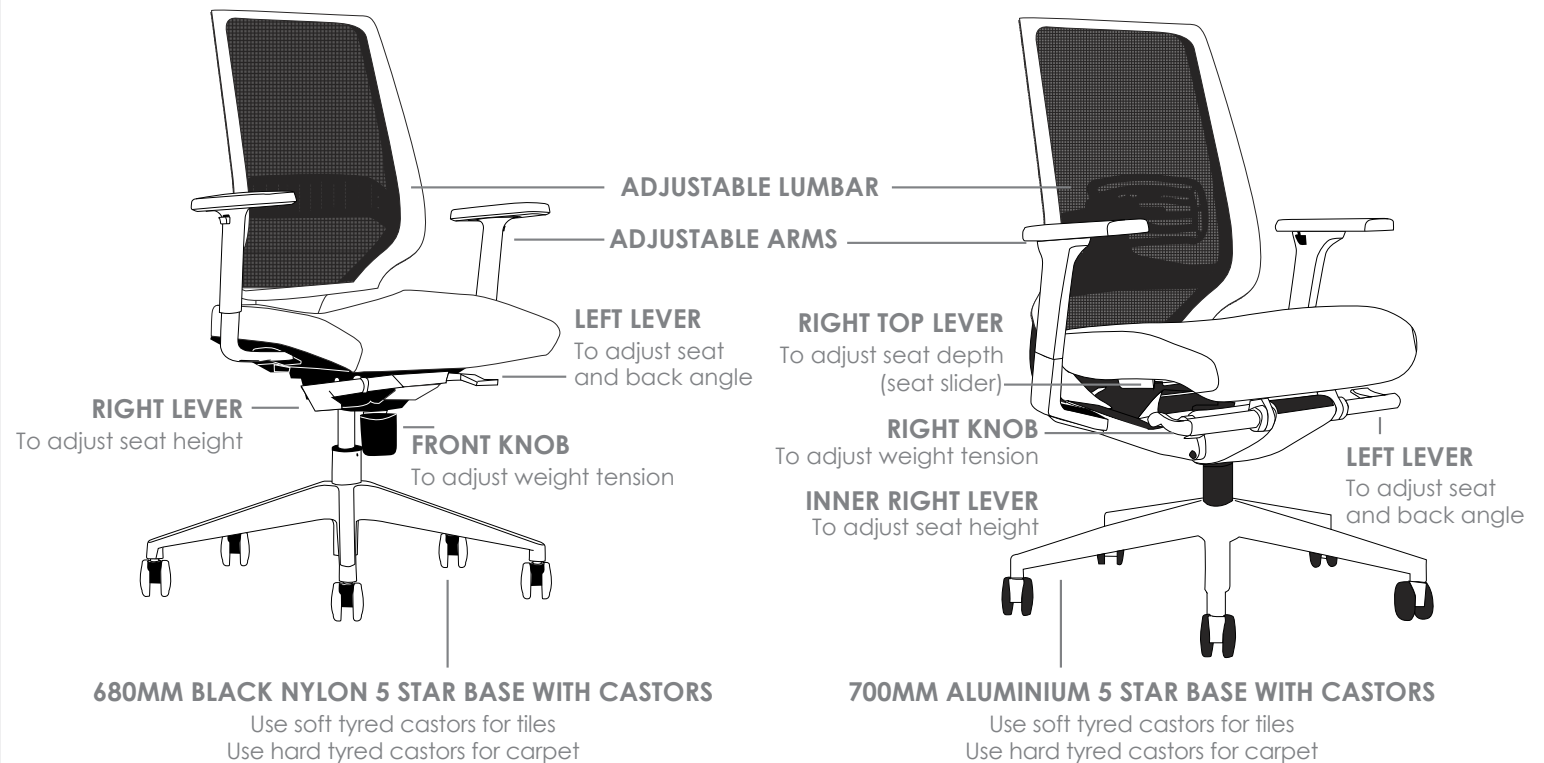
EVITA-VC

- » Chrome frame
- » Moulded seat foam
- » Korean mesh back
- » Available in black only
- » Minor assembly required
- » Suitable for indoor use only
- » 4 year warranty
- » Weight limit is 120kg



INDOOR USE ONLY

X Do not use as a step ladder



EVITA EXECUTIVE SEATING



EVITA-TA



EVITA-H



EVITA-L



EVITA-VC

R4 EXECUTIVE SEATING

MAGNUM



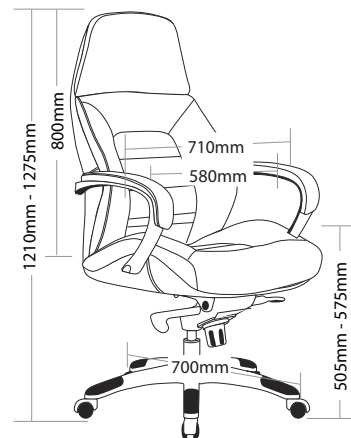
FEATURES

MAGNUM-H/MAGNUM-L

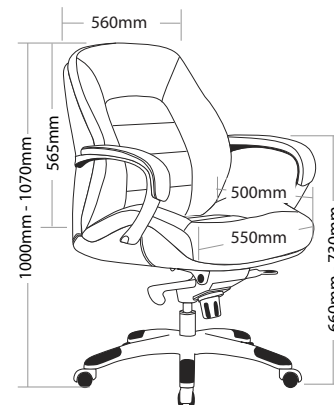
- » Adjustable seat height
- » Adjustable seat and back angle
- » Adjustable weight tension
- » Fixed aluminium arms
- » Available in high and low back
- » Moulded seat and back foam
- » Knee tilt mechanism with 3 locking positions
- » 700mm aluminium base
- » Extremely comfortable
- » Available in black leather only
- » Suitable for indoor use only
- » 5 year warranty
- » Weight limit is 120kg

MAGNUM-VC

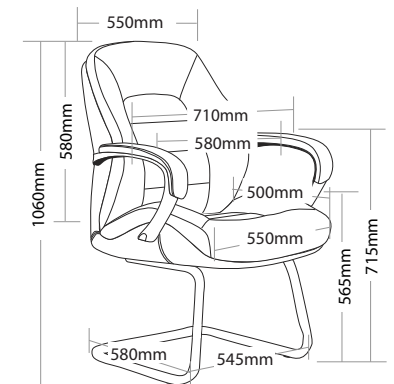
- » Fixed aluminium arms
- » Chrome cantilever frame
- » Extremely comfortable
- » Available in black leather only
- » Suitable for indoor use only
- » 5 year warranty
- » Weight limit is 120kg



MAGNUM-H



MAGNUM-L



MAGNUM-VC

MAGNUM EXECUTIVE SEATING



MAGNUM-H



MAGNUM-L



MAGNUM-VC

R4 EXECUTIVE SEATING

ERGO-1



FEATURES

- » Adjustable seat height cable controlled
- » Adjustable back height (ratchet)
- » Adjustable seat and back angle cable controlled
- » Adjustable seat depth (seat slider) cable controlled
- » Adjustable weight tension
- » Adjustable active lumbar
- » Adjustable arms
- » Optional adjustable headrest
- » Coat rack
- » Synchron mechanism with 3 locking positions
- » 700mm aluminium base
- » Available in black only
- » BIFMA tested
- » Minor assembly required
- » Suitable for indoor use only
- » 5 year warranty
- » Weight limit is 120kg

INDOOR USE ONLY

COAT RACK

ADJUSTABLE ACTIVE LUMBAR

RIGHT BACK LEVER
To adjust seat depth (seat slider)

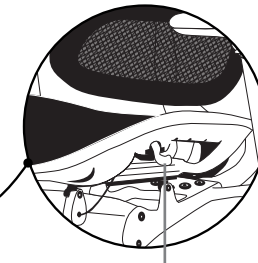
RIGHT FRONT LEVER
To adjust seat height

RIGHT KNOB
To adjust weight tension

OPTIONAL ADJUSTABLE HEADREST

To adjust back height hold back with two hands while seated and raise to desired height
To lower the back height raise back all the way to the top and release slowly

ADJUSTABLE ARMS

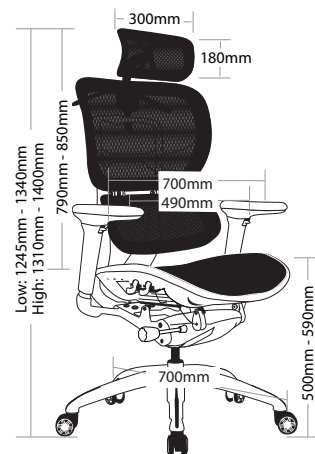


LEFT LEVER
To adjust seat and back angle

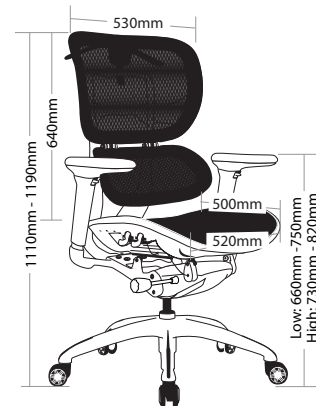
700MM ALUMINIUM 5 STAR BASE WITH CASTORS

Use soft tyred castors for tiles
Use hard tyred castors for carpet

Do not use as a step ladder



ERGO-1H



ERGO-1L

ERGO-1 EXECUTIVE SEATING



ERG0-1H



ERG0-1L



RIGHT VIEW

Wines Office Furniture Catalogue

W: www.winesofficefurniture.com.au | **E:** sales@winesofficefurniture.com.au

Address : 31 Eastwood Street, Ballarat, VIC 3350 | **Ph:** 03 5333 5977

