



21-22
CATALOGUE

R5 HOSPITALITY SEATING

NEO

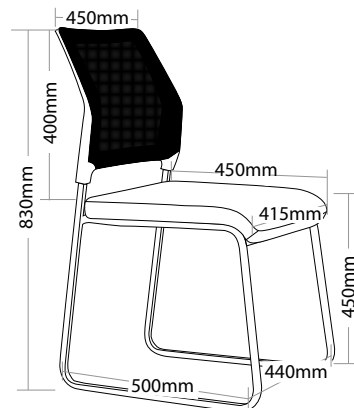
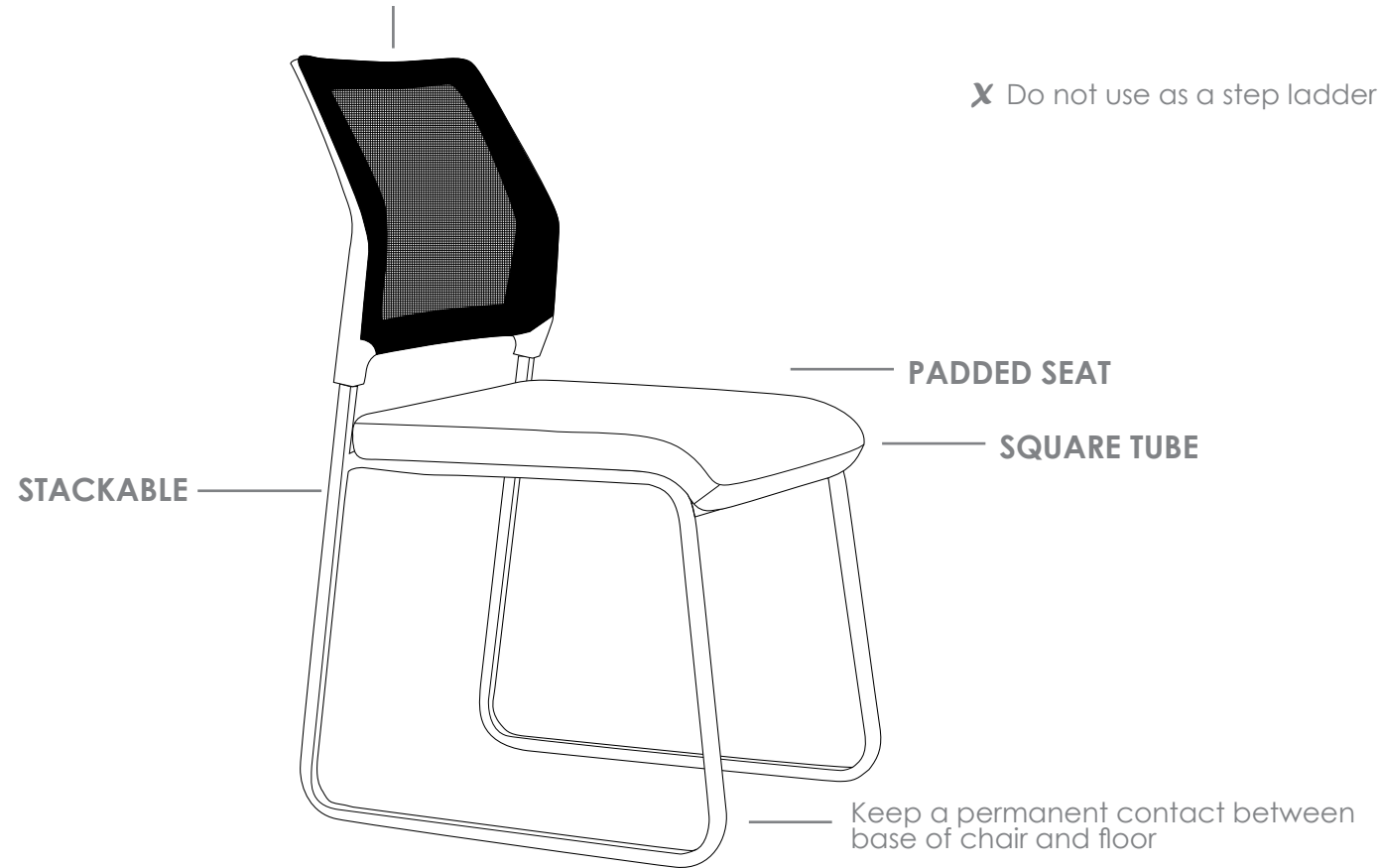


FEATURES

- » Not available with arms
- » Stackable
 - » Maximum 5 chairs on floor
- » Square tube
- » Mesh back
- » Padded seat
- » Black metal frame
- » Available in black only
- » Minor assembly required
- » Suitable for indoor use only
- » 3 year warranty
- » Weight limit is 120kg

INDOOR USE ONLY

✗ Do not use as a step ladder



NEO

NEO HOSPITALITY SEATING



NEO



BACK VIEW



SIDE VIEW

R5 HOSPITALITY SEATING

ROSE



FEATURES

- » Soft padding
- » Polyurethane arm pads
- » Chrome finish
- » Fully welded frame
- » Available in black PU only
- » Minor assembly required
- » Suitable for indoor use only
- » 3 year warranty
- » Weight limit is 110kg

INDOOR USE ONLY



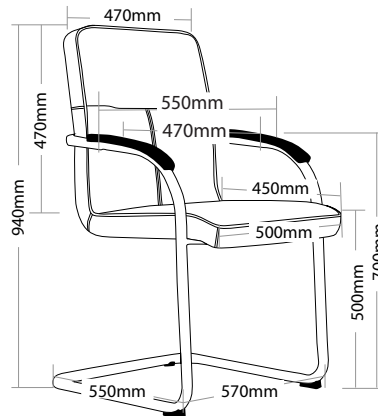
✗ Do not use as a step ladder

POLYURETHANE ARM PADS

SOFT PADDING

CHROME FRAME

Keep a permanent contact between base of chair and floor



ROSE

ROSE HOSPITALITY SEATING



ROSE



BACK VIEW



SIDE VIEW

R5 HOSPITALITY SEATING

FOCUS



FEATURES

- » Optional arms
- » Optional left / right hand tablet arm
- » Optional black metal trolley, easy to move when stacked
- » Available in beam seating
- » Multi purpose stackable client chair
 - » Maximum 20 chairs on trolley
 - » Maximum 5 chairs on floor
 - » Maximum 3 chairs with arms
 - » Not stackable with tablet arms
- » Linkable except with tablet arms or arms
- » Fully strengthened plastic back shell
- » Fully welded frame
- » Sled chrome base
- » Available in black only
- » BIFMA drop tested
- » Suitable for indoor use only
- » 4 year warranty
- » Weight limit is 120kg

INDOOR USE ONLY

X Do not use as a step ladder

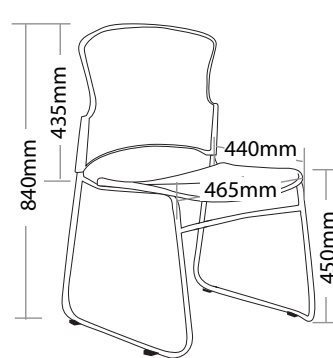


WELDED FRAME

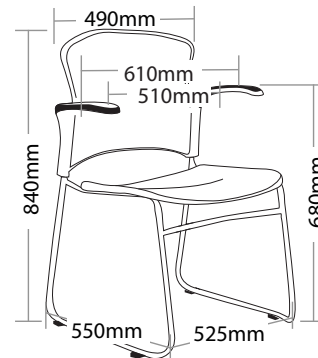
STACKABLE

SLED BASE FRAME

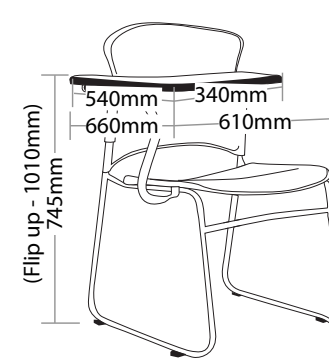
Keep a permanent contact between base of chair and floor



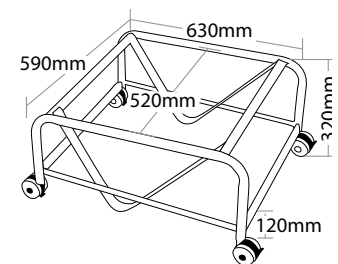
FOC-1



FOC-1A



FOC-1TR



FOC-TRL

FOCUS HOSPITALITY SEATING



FOC-1



FOC-1A



FOC-1TR



FOC-1TL



FOC-TRL



R5 HOSPITALITY SEATING

VINN

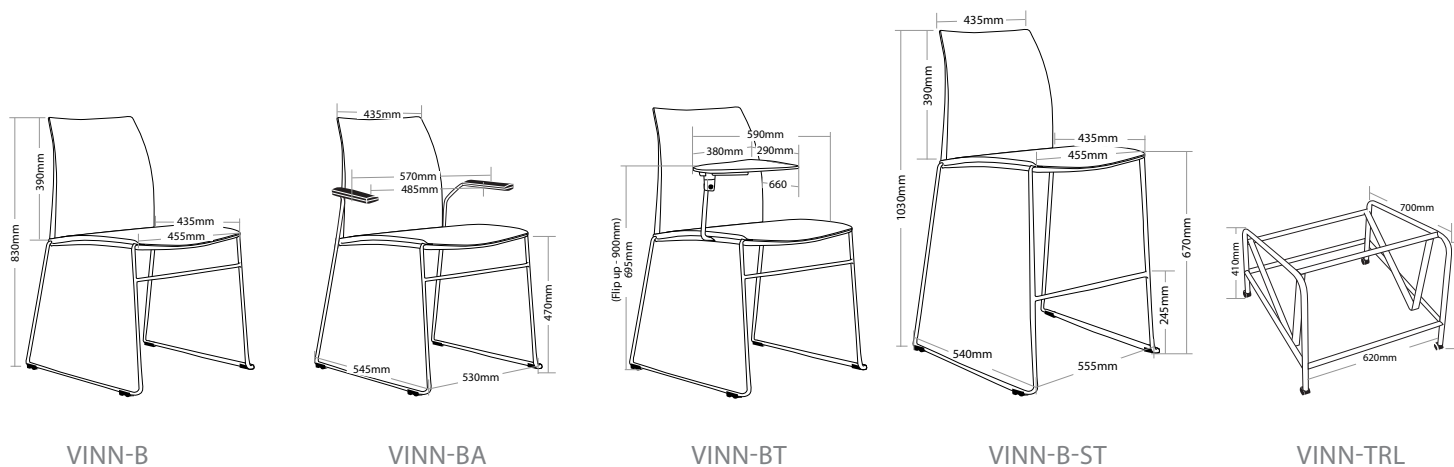
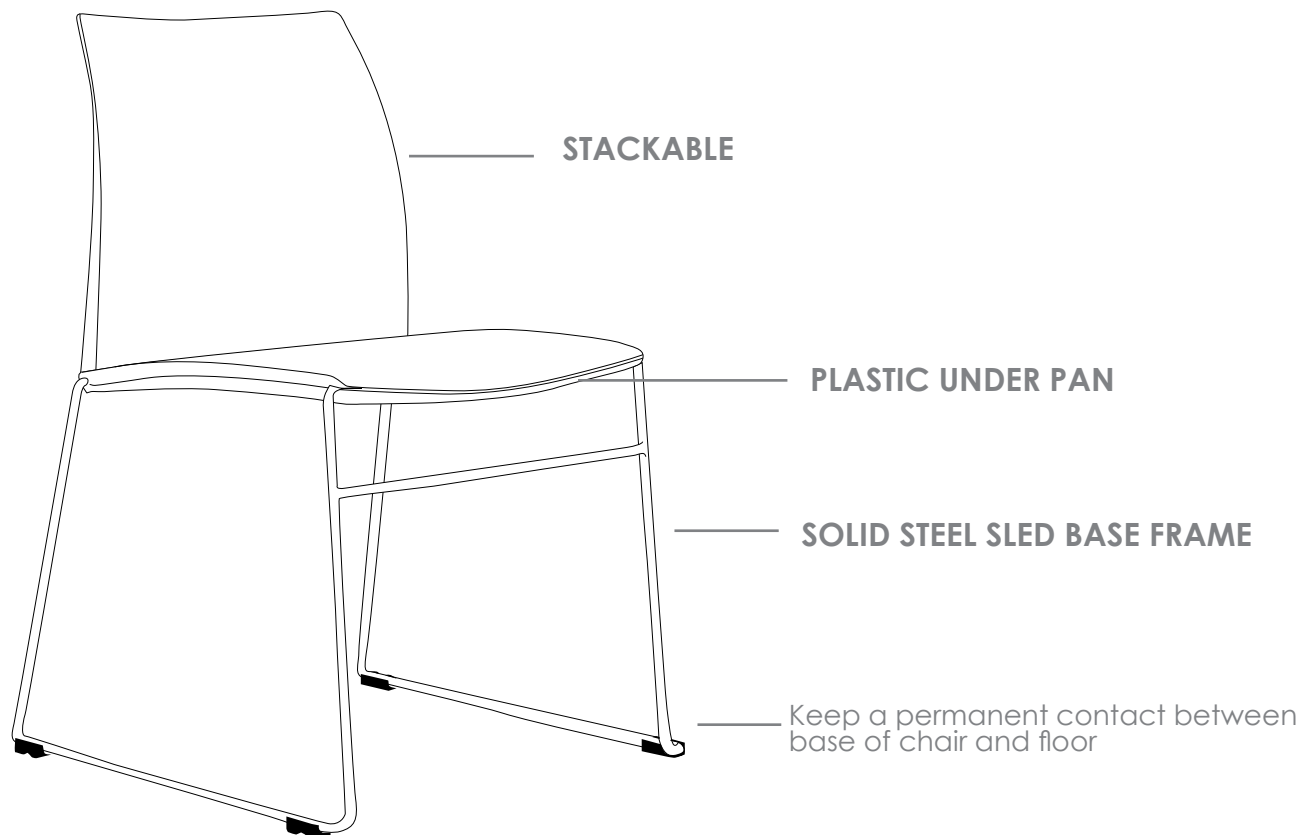


FEATURES

- » Optional plastic or mesh back
- » Optional arms, tablet arm or stool
- » Optional black metal trolley, easy to move when stacked
- » Available in beam seating
- » Stackable
 - » Maximum 13 chairs on trolley
 - » Maximum 5 chairs on floor
 - » Maximum 3 chairs with stools or arms
- » Not stackable with tablet arms or stool with arms
- » Linkable except with tablet arms or arms
- » Chrome finish
- » Black plastic
- » Plastic under pan
- » Solid steel sled base frame
- » Available in black only
- » Suitable for indoor use only
- » 4 year warranty
- » Weight limit is 120kg

INDOOR USE ONLY

X Do not use as a step ladder



VINN HOSPITALITY SEATING



VINN-B



VINN-BA



VINN-BT



VINN-B-ST



VINN-B-STA



VINN-TRL

R5 HOSPITALITY SEATING

VINN MESH

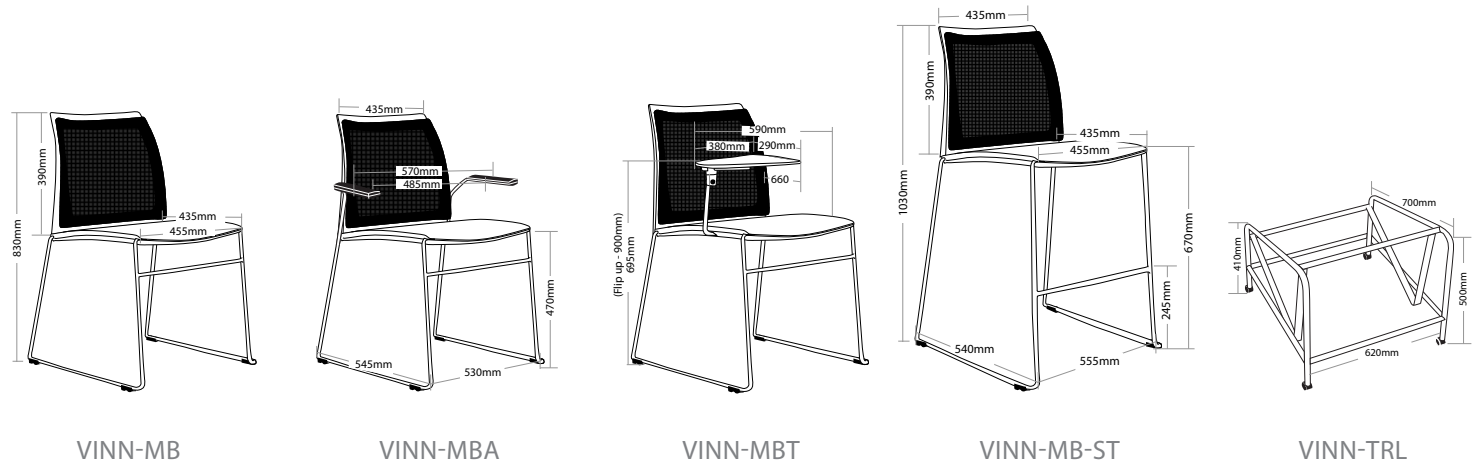
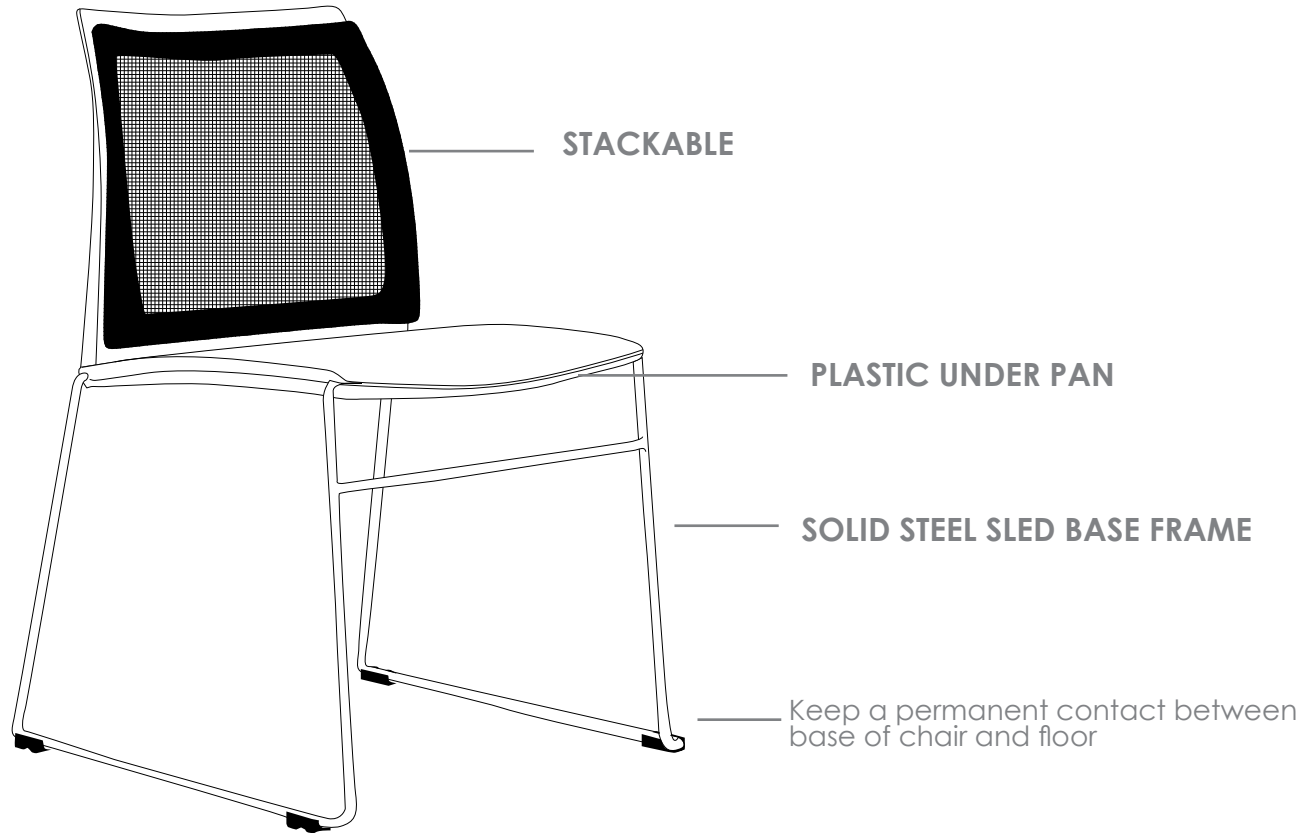


FEATURES

- » Optional plastic or mesh back
- » Optional arms, tablet arm or stool
- » Optional black metal trolley, easy to move when stacked
- » Available in beam seating
- » Stackable
 - » Maximum 13 chairs on trolley
 - » Maximum 5 chairs on floor
 - » Maximum 3 chairs with stools or arms
- » Not stackable with tablet arms or stool with arms
- » Linkable except with tablet arms or arms
- » Chrome finish
- » Black plastic
- » Plastic under pan
- » Solid steel sled base frame
- » Available in black only
- » Suitable for indoor use only
- » 4 year warranty
- » Weight limit is 120kg

INDOOR USE ONLY

✗ Do not use as a step ladder



VINN MESH HOSPITALITY SEATING



VINN-MB



VINN-MBA



VINN-MBT



VINN-MB-ST



VINN-MB-STA



VINN-TRL



R5 HOSPITALITY SEATING

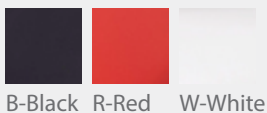
POD 4 LEGS



FEATURES

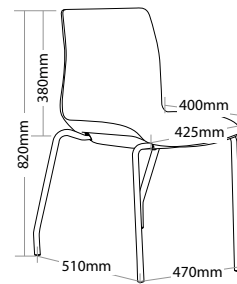
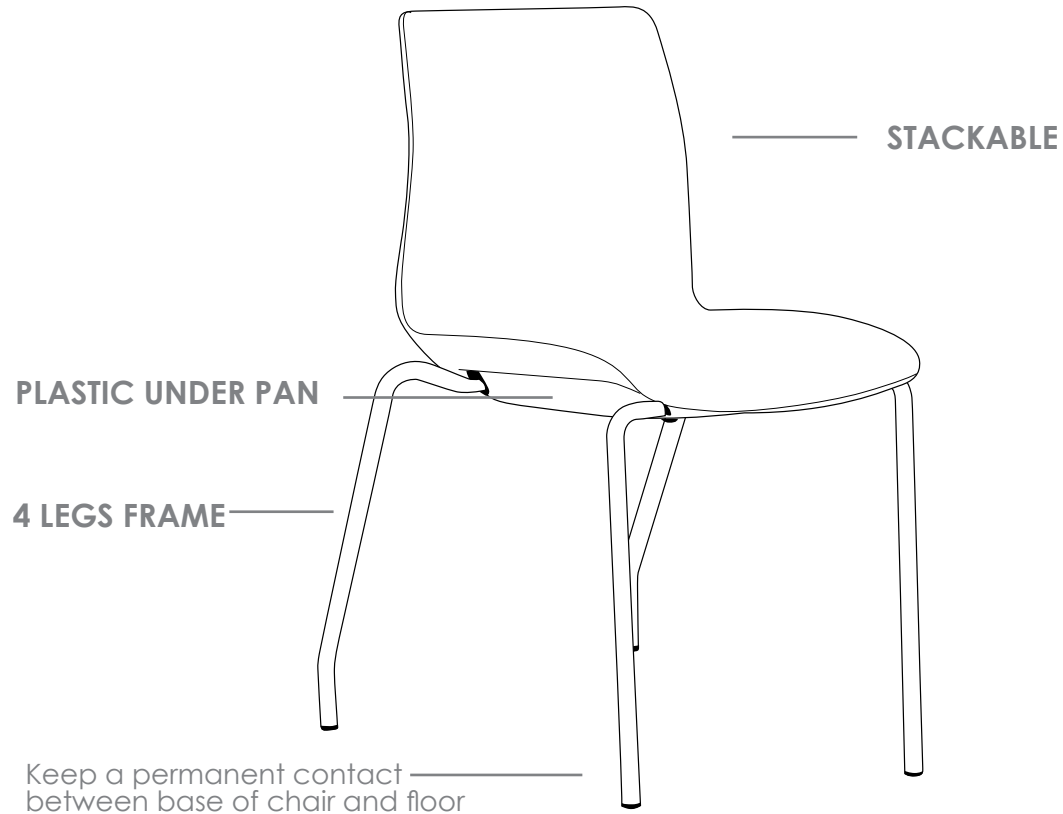
- » Optional arms
- » Optional tablet arm
- » Optional stool
- » Optional black metal trolley, easy to move when stacked
- » Optional 4 legs or sled base chrome frame
- » Available in beam seating
- » Stackable
 - » Maximum 13 chairs on trolley
 - » Maximum 5 chairs on floor
 - » Maximum 3 chairs with stool or arms
 - » Maximum 3 chairs with tablet arms
- » Plastic under pan
- » Available in black, red and white only
- » Suitable for indoor use only
- » 4 year warranty
- » Weight limit is 120kg

COLOUR

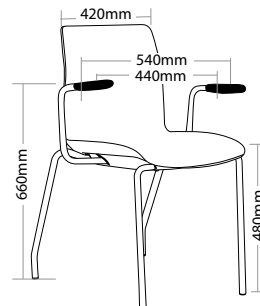


INDOOR USE ONLY

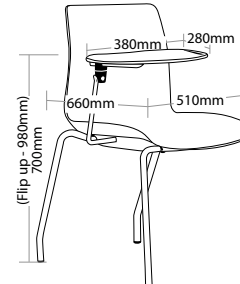
✗ Do not use as a step ladder



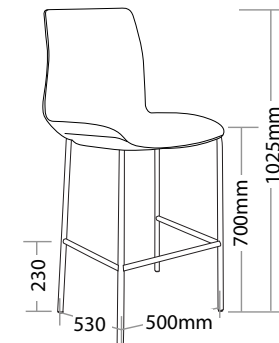
POD-4



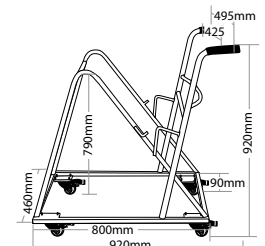
POD-4A



POD-4T



POD-ST



POD-TRL

POD 4 LEGS HOSPITALITY SEATING



POD-4B



POD-4RA



POD-4WT



POD-STW



POD-STB



POD-TRL

R5 HOSPITALITY SEATING

POD SLED



FEATURES

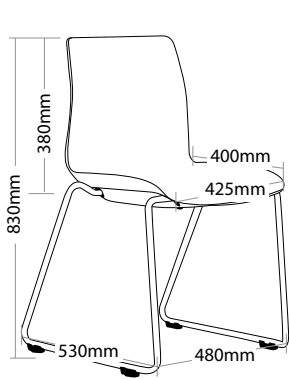
- » Optional arms
- » Optional tablet arm
- » Optional black metal trolley, easy to move when stacked
- » Optional 4 legs or sled base chrome frame
- » Available in beam seating
- » Stackable
 - » Maximum 13 chairs on trolley
 - » Maximum 5 chairs on floor
 - » Not stackable with arms or tablet arms
- » Linkable except with tablet arms and arms
- » Plastic under pan
- » Available in black, red and white only
- » Suitable for indoor use only
- » 4 year warranty
- » Weight limit is 120kg

COLOUR

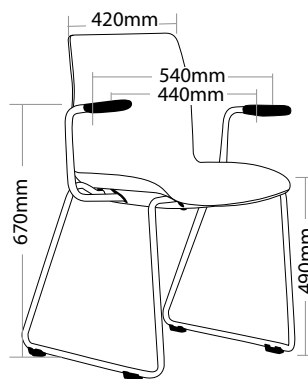


INDOOR USE ONLY

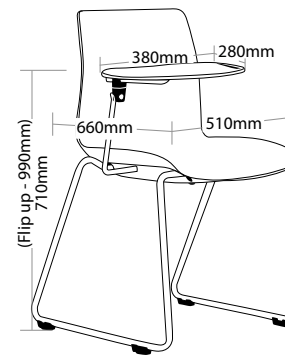
✗ Do not use as a step ladder



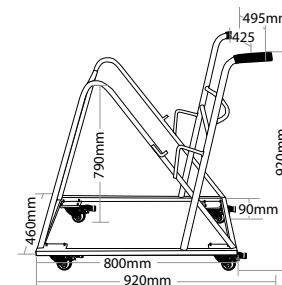
POD-S



POD-SA



POD-ST



POD-TRL

POD SLED HOSPITALITY SEATING



POD-SB



POD-SRA



POD-SWT



POD-TRL

R6 BEAM SEATING

FOCUS



FEATURES

- » Optional 2 or 3 seater
- » Fully welded black metal frame
- » Twin seat support bars
- » Adjustable feet
- » Available in black only
- » Minor assembly required
- » Suitable for indoor use only
- » 4 year warranty
- » Weight limit for 2 seater is 200kg
- » Weight limit for 3 seater is 300kg

INDOOR USE ONLY

✗ Do not use as a step ladder



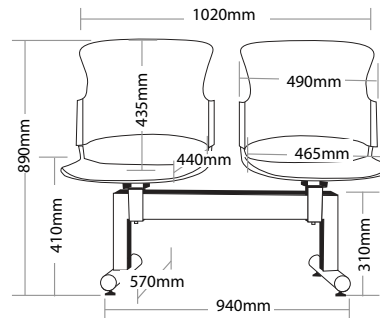
TWIN SEAT SUPPORT BARS

FULLY WELDED BLACK METAL FRAME

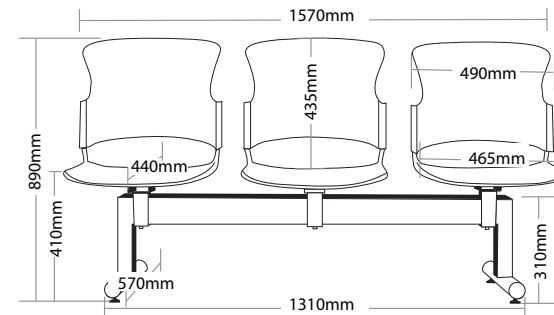
ADJUSTABLE FEET

Screw to adjust the height

Keep a permanent contact between base of chair and floor



F-BEAM 2



F-BEAM 3

FOCUS BEAM SEATING



F-BEAM 2



F-BEAM 3

R6 BEAM SEATING

VINN

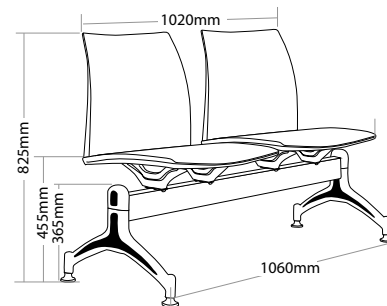
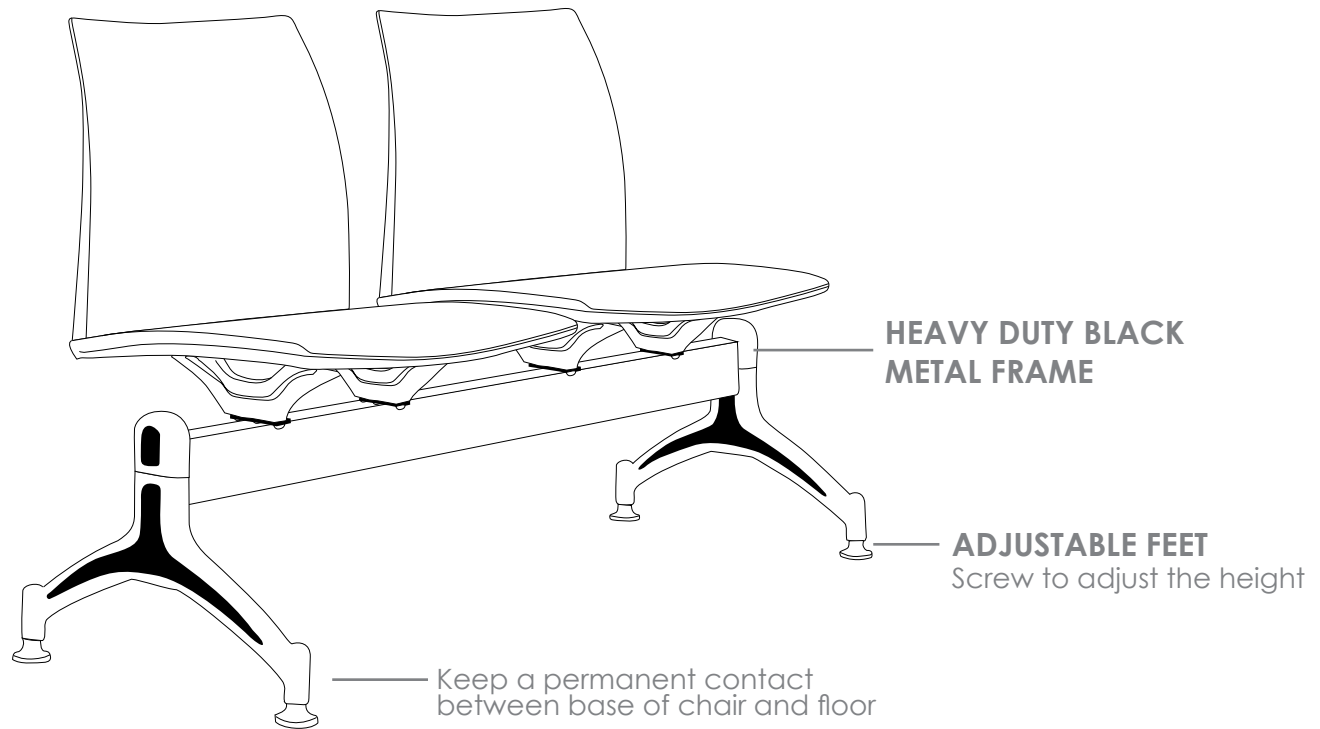


FEATURES

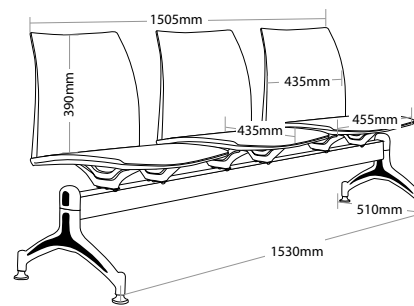
- » Optional 2, 3 or 4 seater
- » Optional plastic or mesh back
- » Heavy duty black metal beam frame
- » Adjustable feet
- » Available in black only
- » Minor assembly required
- » Suitable for indoor use only
- » 4 year warranty
- » Weight limit for 2 seater is 180kg
- » Weight limit for 3 seater is 250kg
- » Weight limit for 4 seater is 300kg

X Do not use as a step ladder

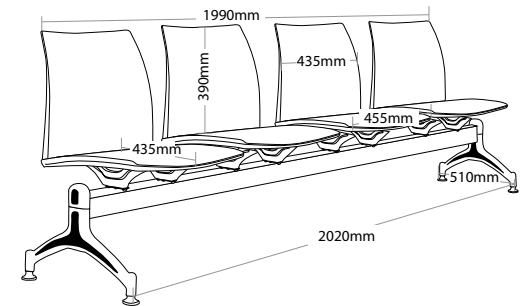
INDOOR USE ONLY



V-BEAM 2



V-BEAM 3



V-BEAM 4

VINN BEAM SEATING



V-BEAM 2



V-BEAM 3



V-BEAM 4



V-BEAM 2M



V-BEAM 3M



V-BEAM 4M

R6 BEAM SEATING

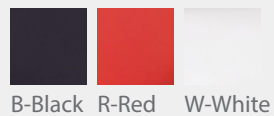
POD



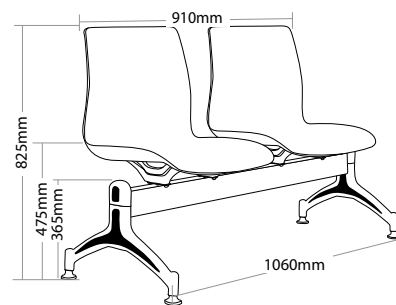
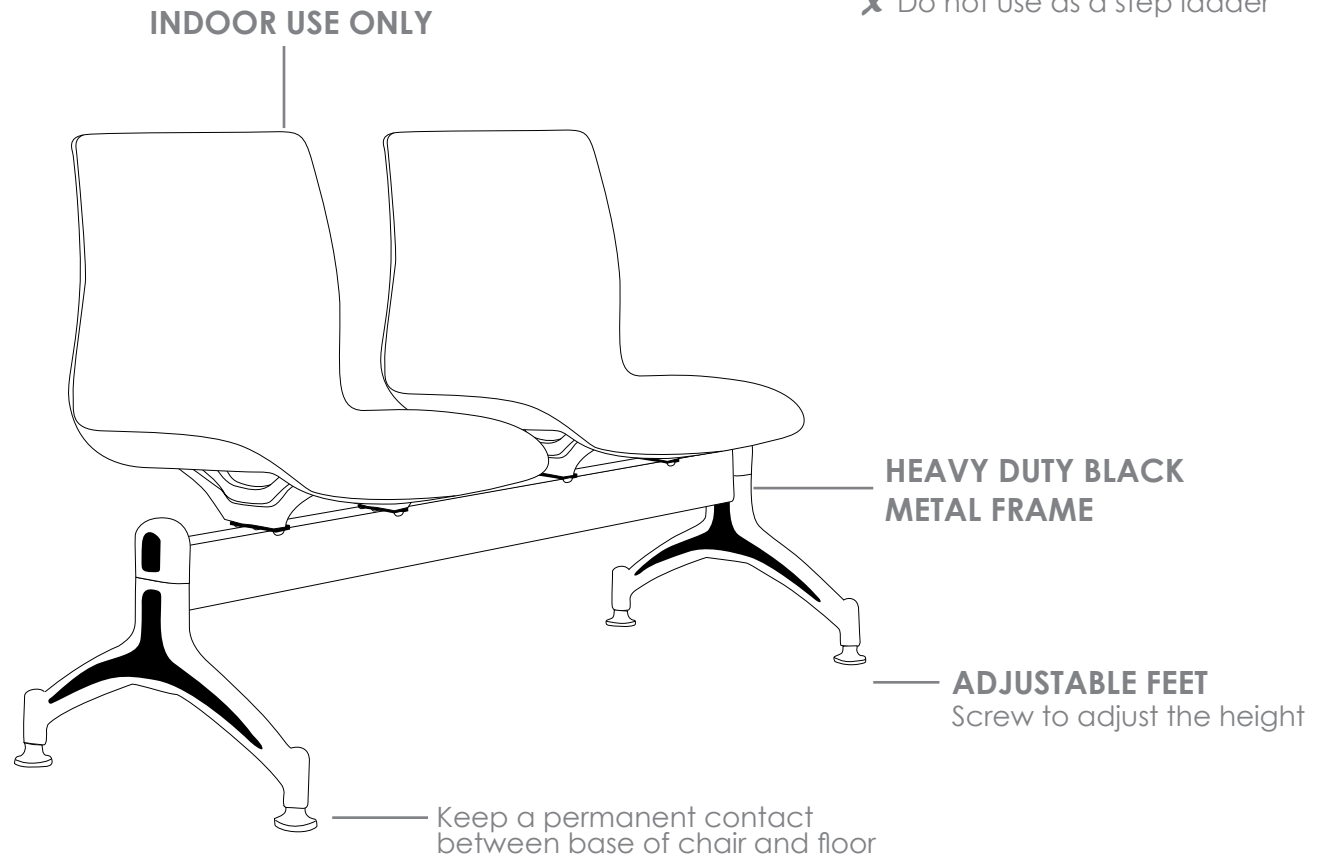
FEATURES

- » Optional 2, 3 or 4 seater
- » Heavy duty black metal beam frame
- » Adjustable feet
- » Available in black, red and white only
- » Minor assembly required
- » Suitable for indoor use only
- » 4 year warranty
- » Weight limit for 2 seater is 200kg
- » Weight limit for 3 seater is 300kg
- » Weight limit for 4 seater is 350kg

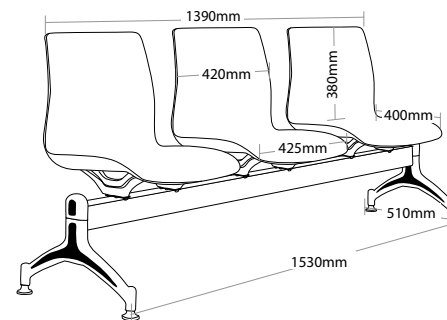
COLOUR



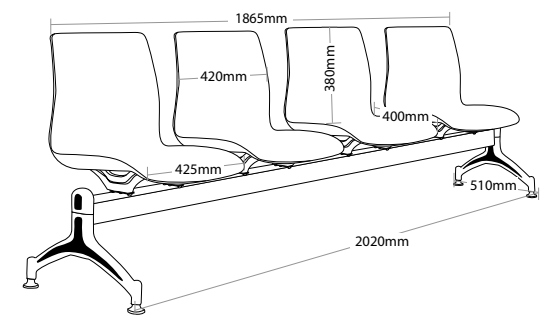
X Do not use as a step ladder



P-BEAM 2



P-BEAM 3



P-BEAM 4

POD BEAM SEATING



P-BEAM 2B



P-BEAM 3R



P-BEAM 4W



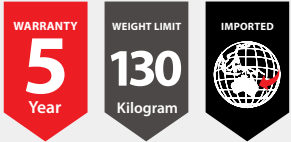
SIDE VIEW



BACK VIEW

R7 BREAKOUT SEATING

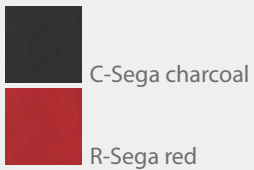
RAVEN



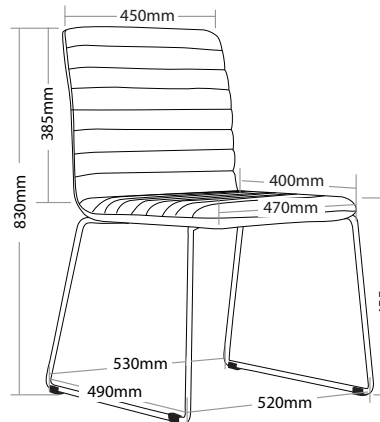
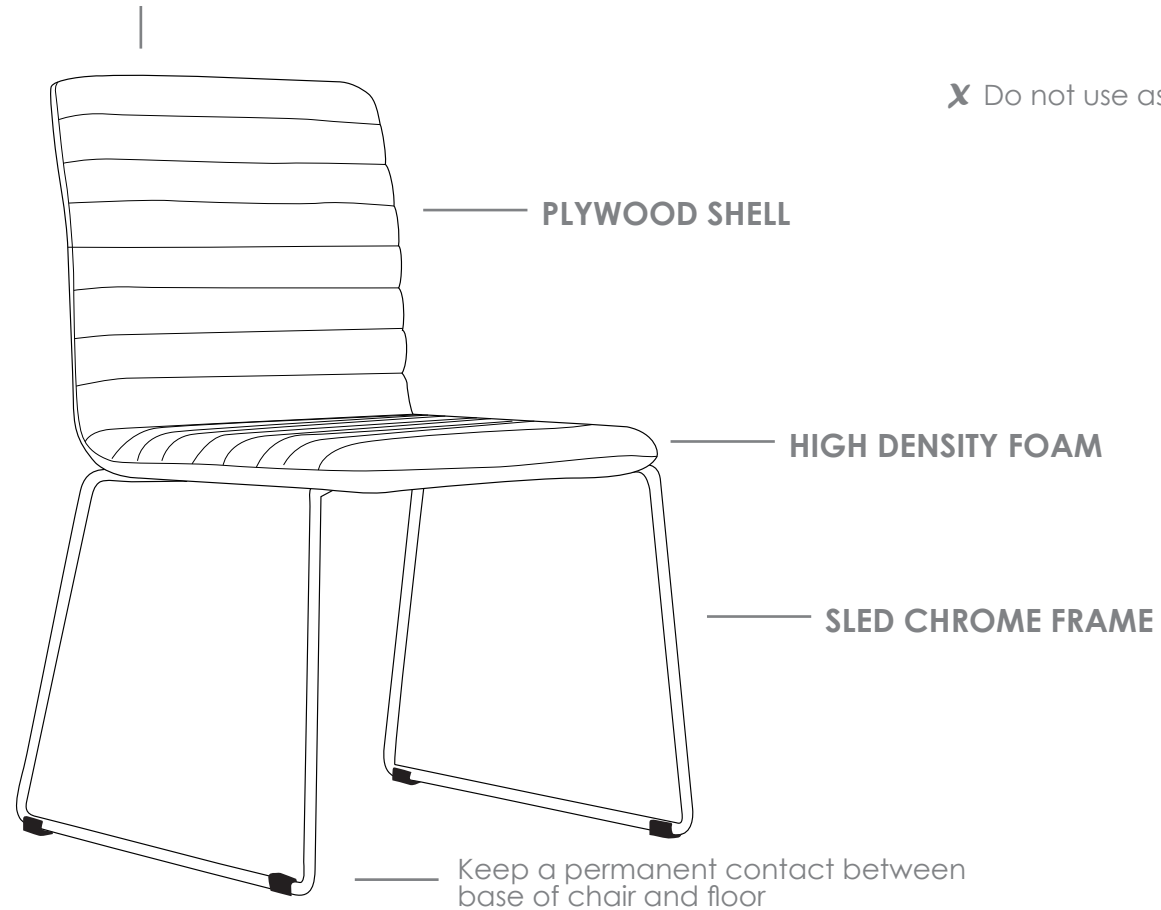
FEATURES

- » Fully upholstered
- » High density foam
- » Sled base chrome frame
- » Plywood shell
- » Available in Sega charcoal and red only
- » Minor assembly required
- » Suitable for indoor use only
- » 5 year warranty
- » Weight limit is 130kg

COLOUR



INDOOR USE ONLY



RAVEN

RAVEN BREAKOUT SEATING



RAVEN-C



RAVEN-R



BACKVIEW

R7 BREAKOUT SEATING

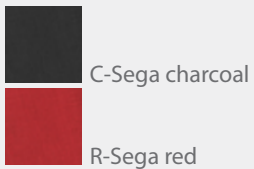
TONIC



FEATURES

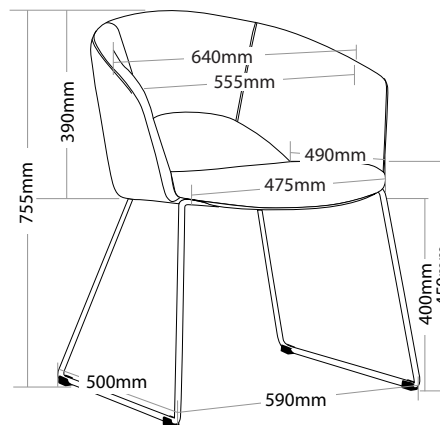
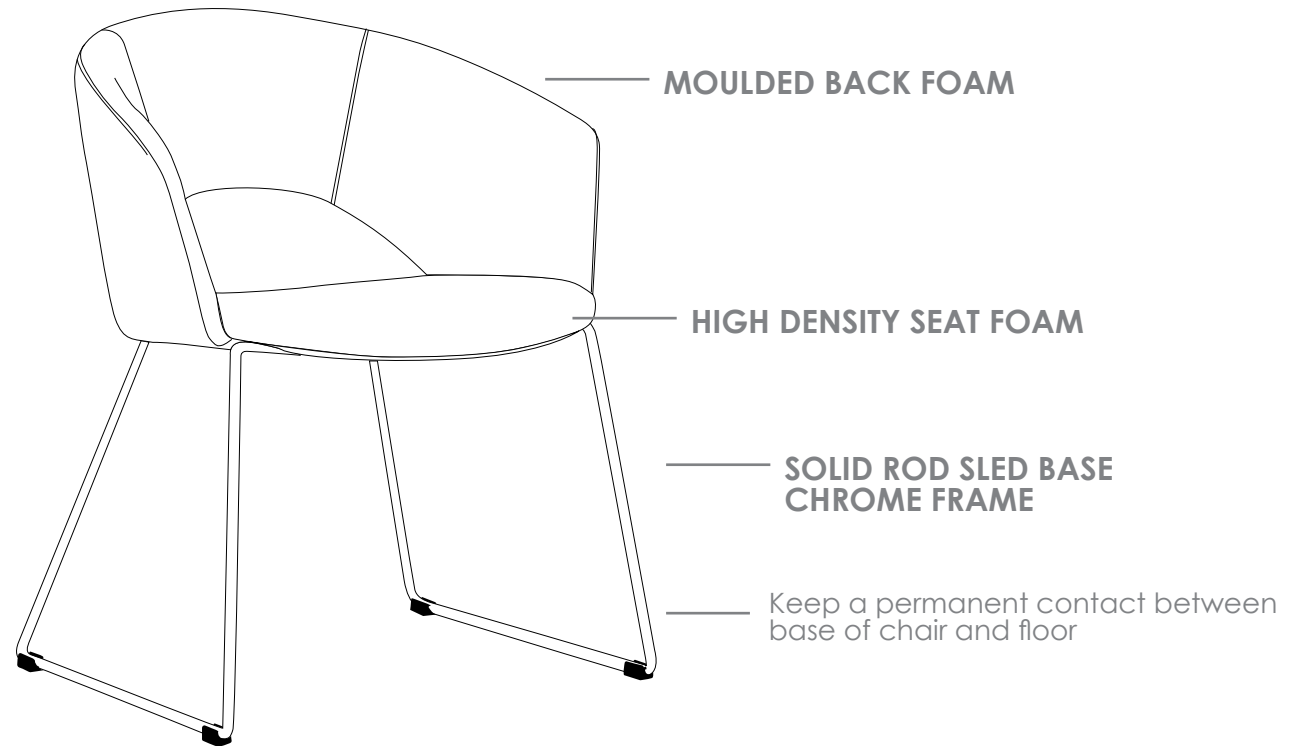
- » High density seat foam
- » Moulded back foam
- » Solid rod base sled chrome frame
- » Available in Sega charcoal and red only
- » Minor assembly required
- » Suitable for indoor use only
- » 5 year warranty
- » Weight limit is 120kg

COLOUR



INDOOR USE ONLY

✗ Do not use as a step ladder



TONIC

TONIC BREAKOUT SEATING



TONIC-C



TONIC-R



BACKVIEW

R7 BREAKOUT SEATING

HULA



FEATURES

HULA CHAIR FEATURES

- » Adjustable seat height
- » High density foam
- » 700mm aluminium 4 star base
- » Plywood shell
- » Available in Sega charcoal and red only
- » Minor assembly required
- » Suitable for indoor use only
- » 5 year warranty
- » Weight limit is 120kg

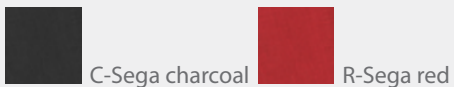


HULA TABLE

- » 8mm thick glass top
- » 800mm diameter tempered glass
- » 660mm aluminium frame
- » Minor assembly required
- » Suitable for indoor use only
- » 3 year warranty

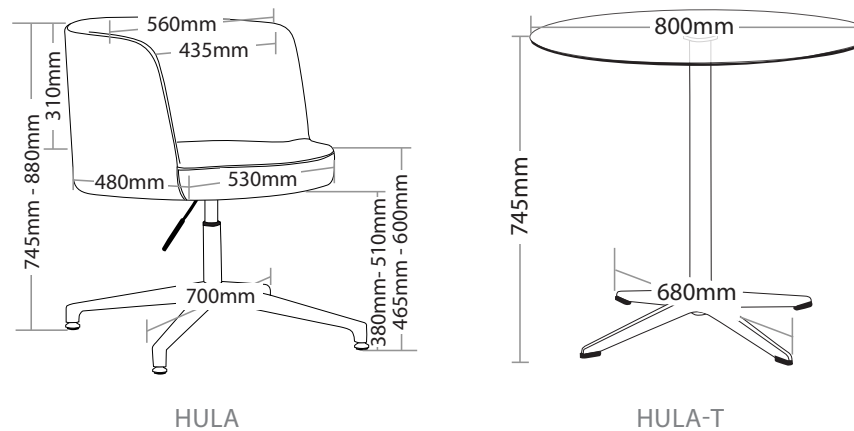
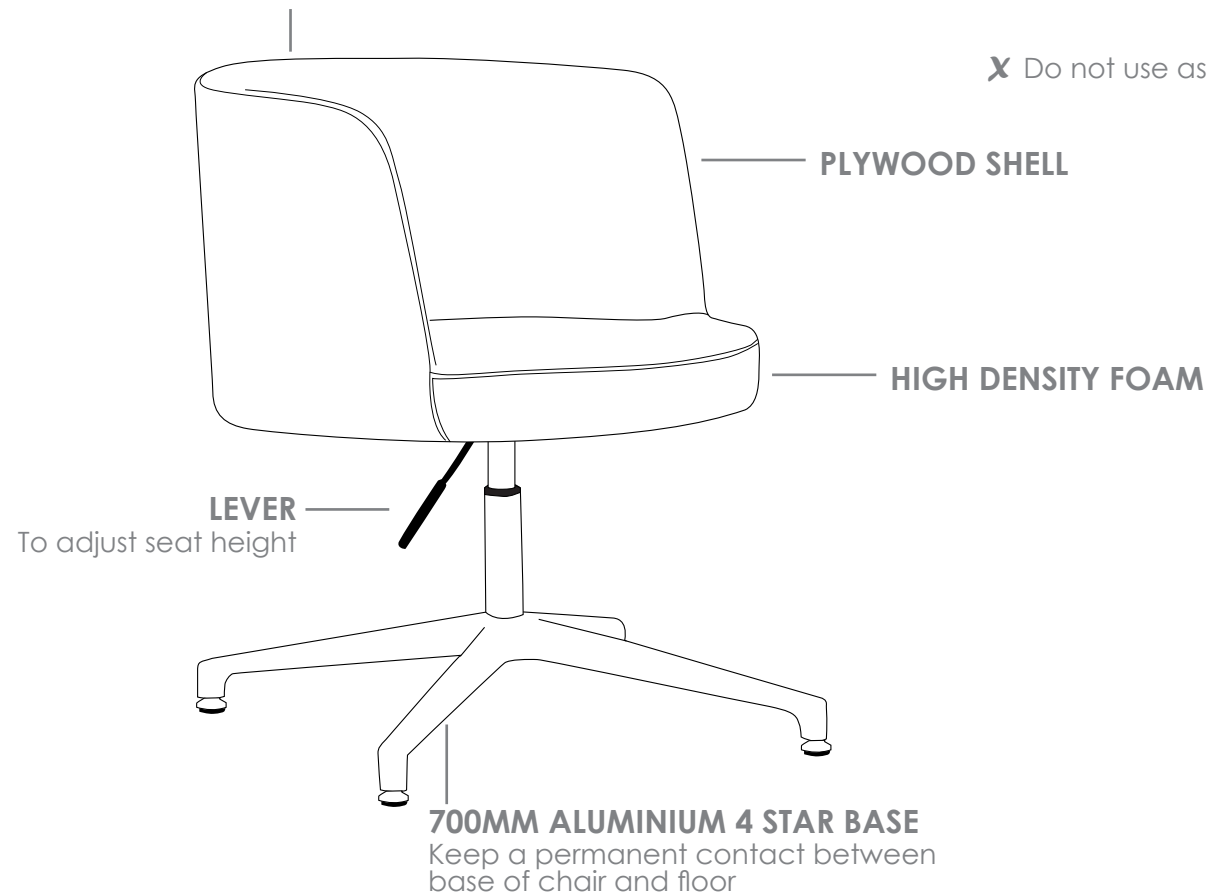


COLOUR



INDOOR USE ONLY

✗ Do not use as a step ladder



HULA BREAKOUT SEATING



HULA-C



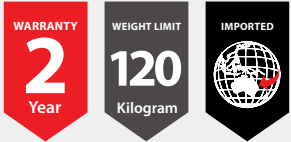
HULA-R



HULA-T

R7 BREAKOUT SEATING

TECHNO

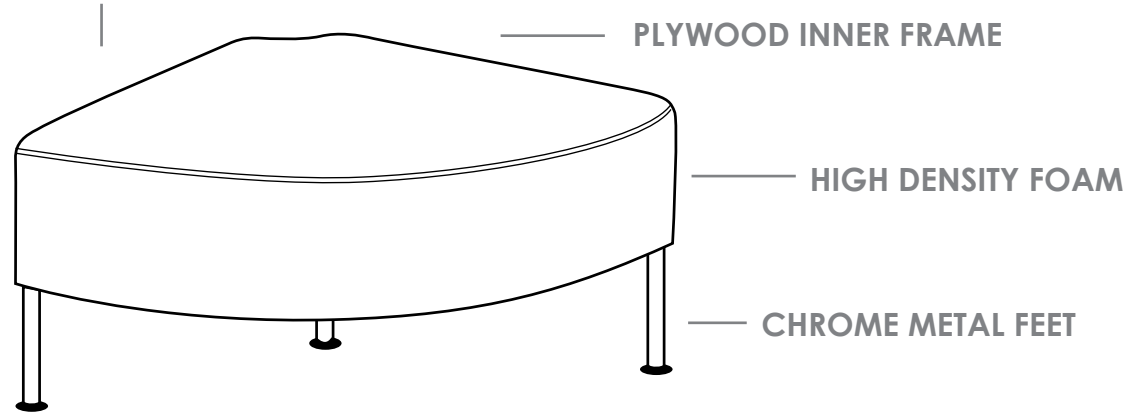


FEATURES

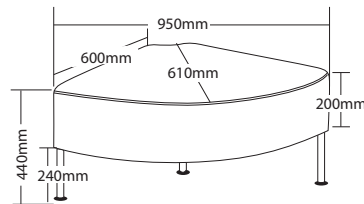
- » High density foam
- » Linkable
- » Plywood inner frame
- » Chrome metal feet
- » Available in black PU only
- » Minor assembly required
- » Suitable for indoor use only
- » 2 year warranty
- » Weight limit is 120kg

✗ Do not use as a step ladder

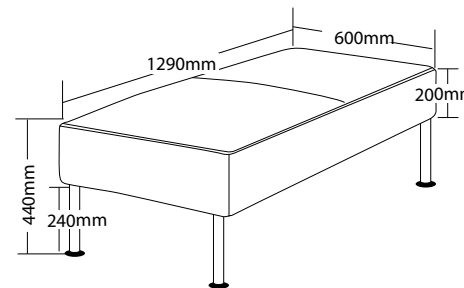
INDOOR USE ONLY



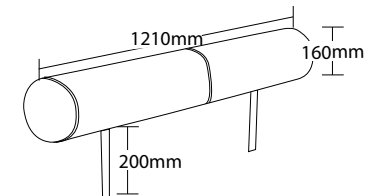
Keep a permanent contact between base of chair and floor



TECHNO-1



TECHNO-2



TECHNO-B

TECHNO BREAKOUT SEATING



TECHNO-1



TECHNO-2



TECHNO-B



GROUP

R7 BREAKOUT SEATING

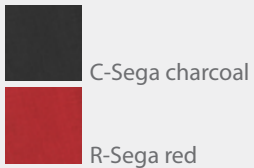
LORI



FEATURES

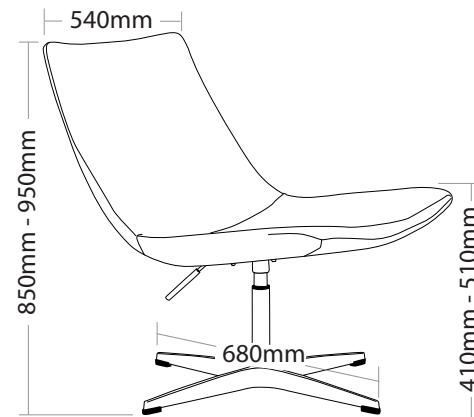
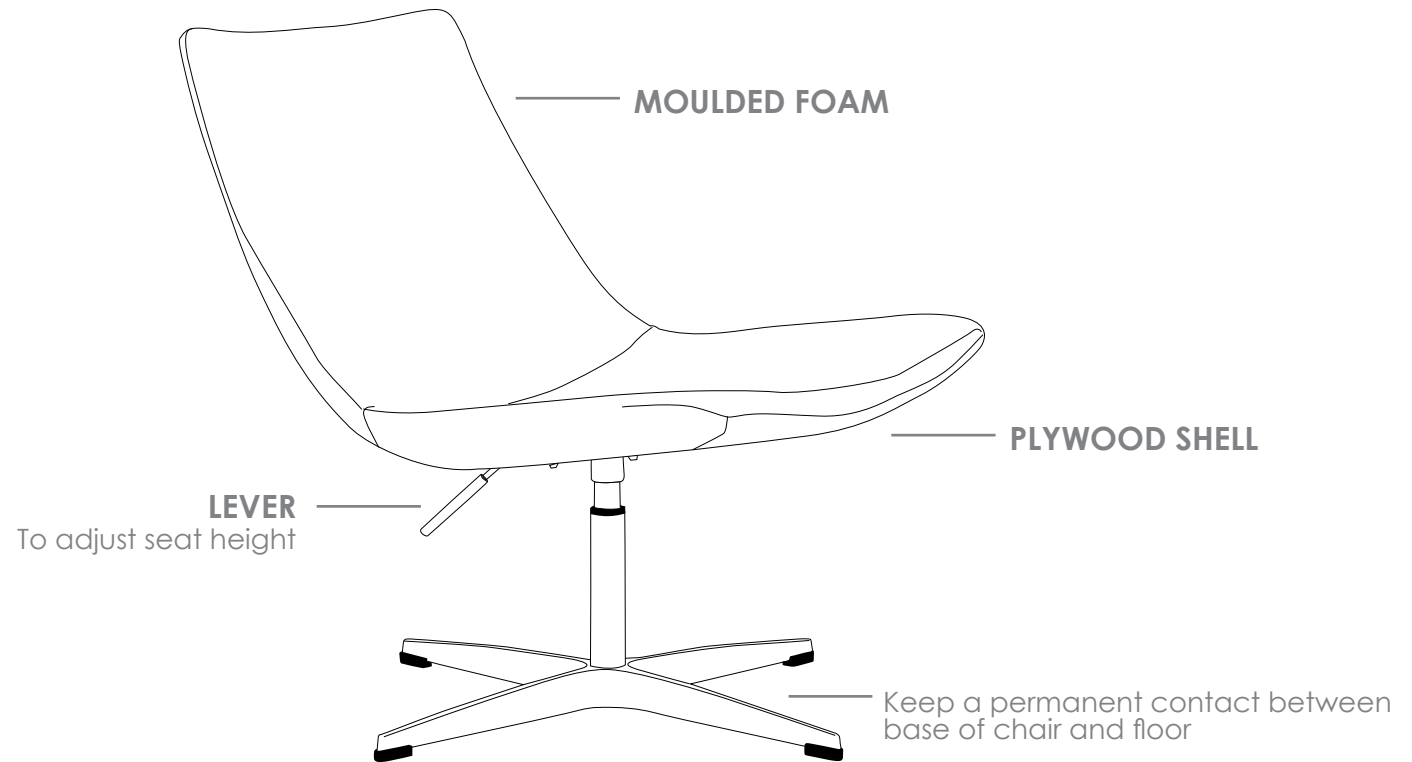
- » Moulded foam
- » Solid rod base chrome frame
- » Plywood shell
- » Available in Sega charcoal and red only
- » Minor assembly required
- » Suitable for indoor use only
- » 5 year warranty
- » Weight limit is 130kg

COLOUR



INDOOR USE ONLY

✗ Do not use as a step ladder



LORI

LORI BREAKOUT SEATING



LORI-C



LORI-R



BACKVIEW

R7 BREAKOUT SEATING

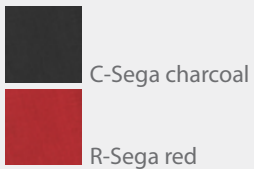
OSCAR



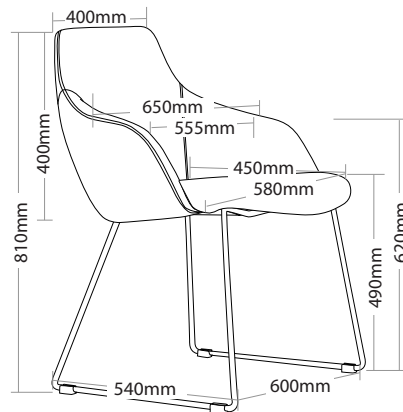
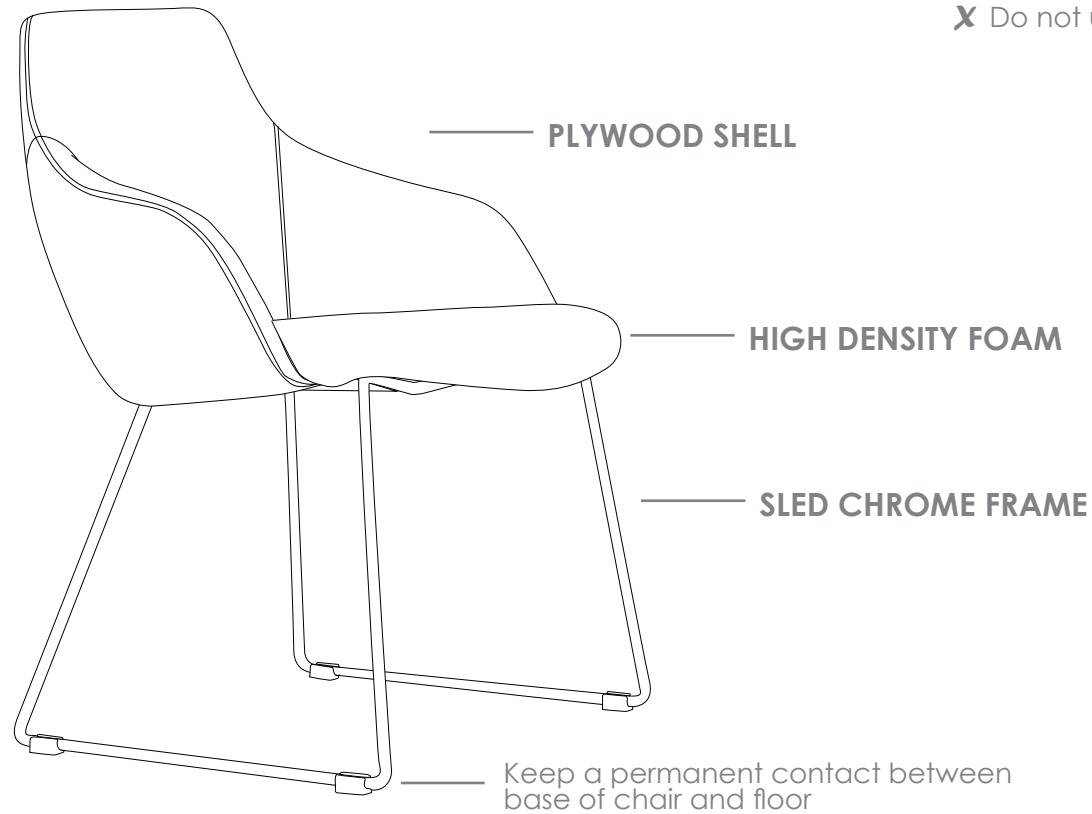
FEATURES

- » High density foam
- » Sled base chrome frame
- » Plywood shell
- » Available in Sega charcoal and red only
- » Minor assembly required
- » Suitable for indoor use only
- » 5 year warranty
- » Weight limit is 130kg

COLOUR



INDOOR USE ONLY



OSCAR

OSCAR BREAKOUT SEATING



OSCAR-C



OSCAR-R



BACK VIEW

R8 SOFT SEATING

ORION

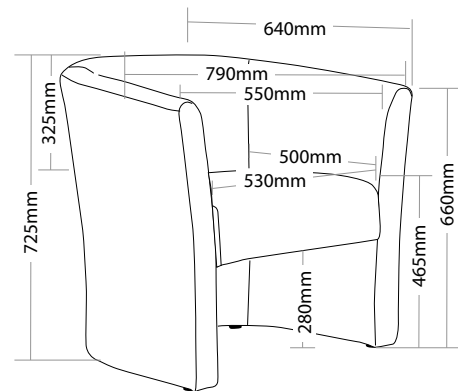
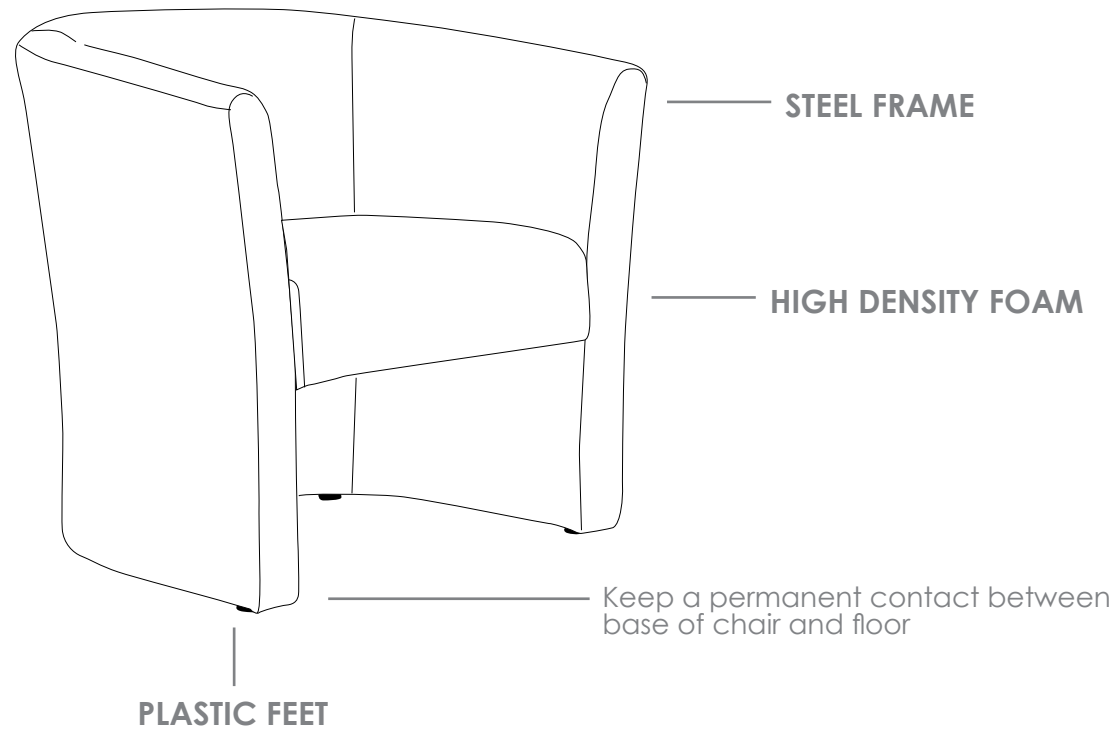


FEATURES

- » High density foam
- » Steel frame
- » Plastic feet
- » Available in black PU only
- » Minor assembly required
- » Suitable for indoor use only
- » 3 year warranty
- » Weight limit is 120kg

INDOOR USE ONLY

✗ Do not use as a step ladder



ORION

ORION SOFT SEATING



ORION

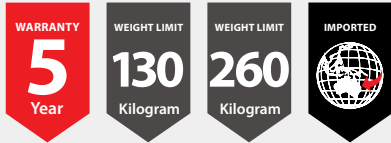


FRONT VIEW



BACK VIEW

RIVET

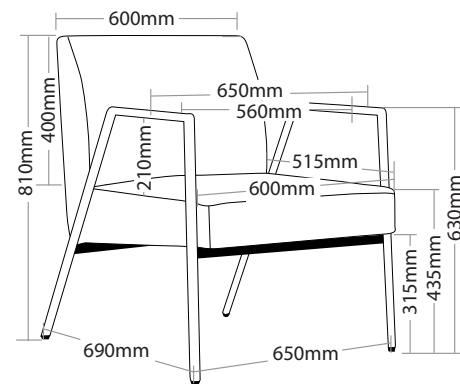
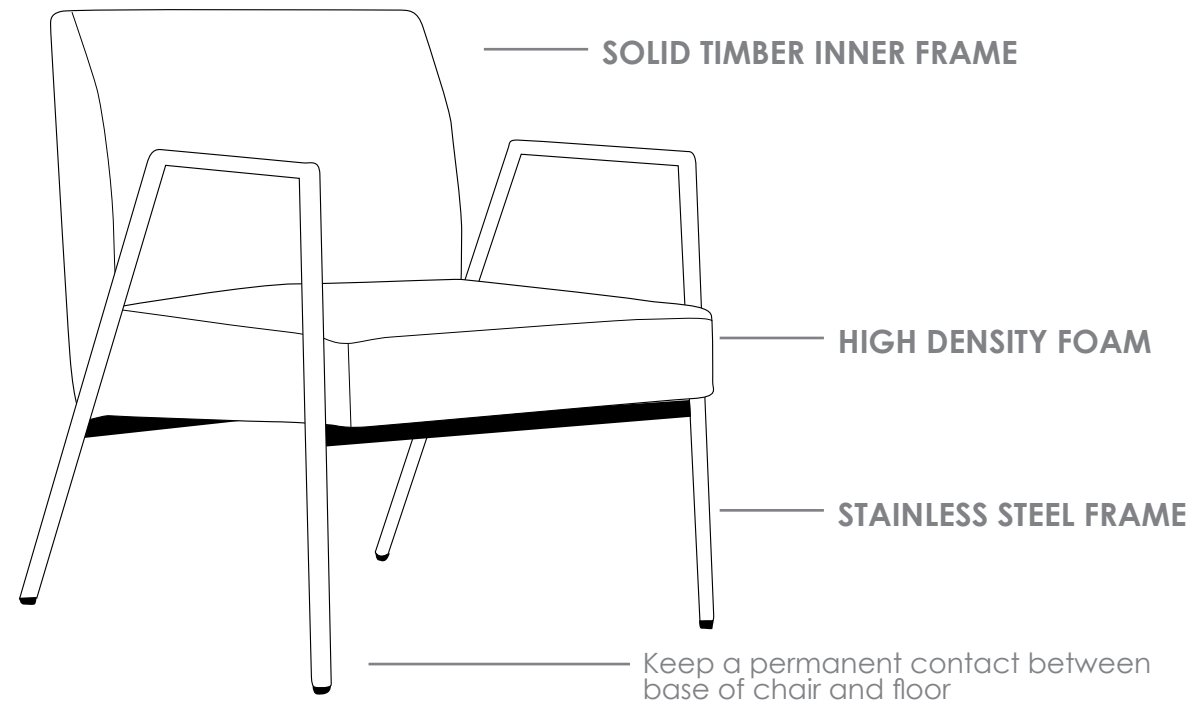


FEATURES

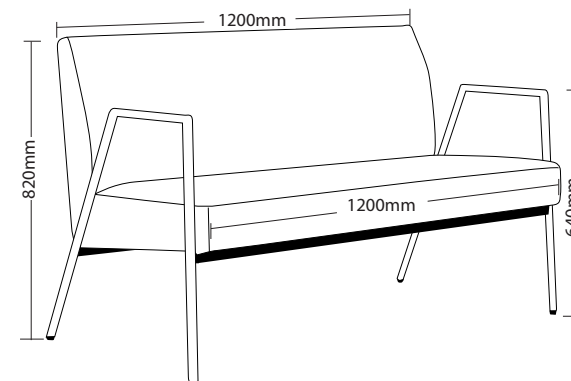
- » Optional 1 or 2 seater
- » High density foam
- » Stainless steel frame
- » Solid timber inner frame
- » Available in black PU only
- » Minor assembly required
- » Suitable for indoor use only
- » 5 year structural warranty
- » Weight limit for 1 seater is 130kg
- » Weight limit for 2 seater is 260kg

INDOOR USE ONLY

✗ Do not use as a step ladder



RIVET-1



RIVET-2

RIVET SOFT SEATING



RIVET-1



RIVET-2

R8 SOFT SEATING

BLITZ

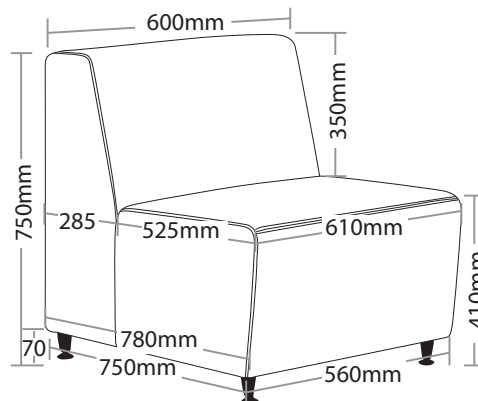
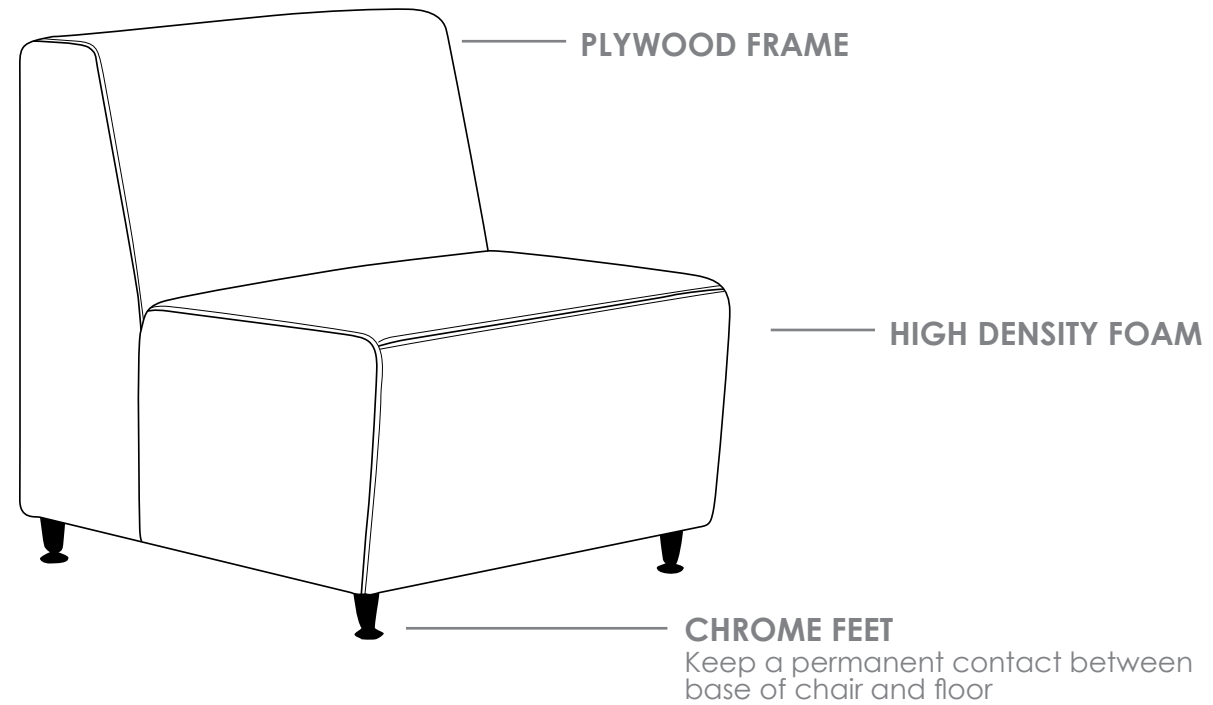


FEATURES

- » High density foam
- » Zig zag steel spring
- » Plywood frame
- » Chrome feet
- » Available in black PU
- » Minor assembly required
- » Suitable for indoor use only
- » 5 year warranty
- » Weight limit is 120kg

INDOOR USE ONLY

✗ Do not use as a step ladder



BLITZ-B

BLITZ SOFT SEATING



BLITZ-B



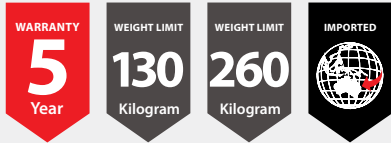
BACK VIEW



SIDE VIEW

R8 SOFT SEATING

JADEN

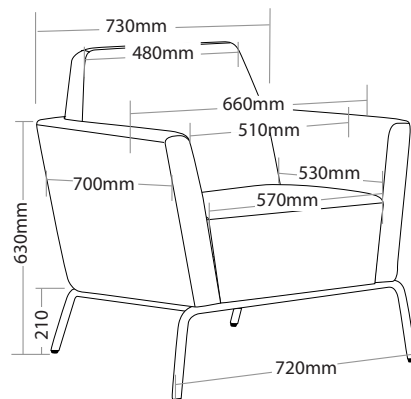
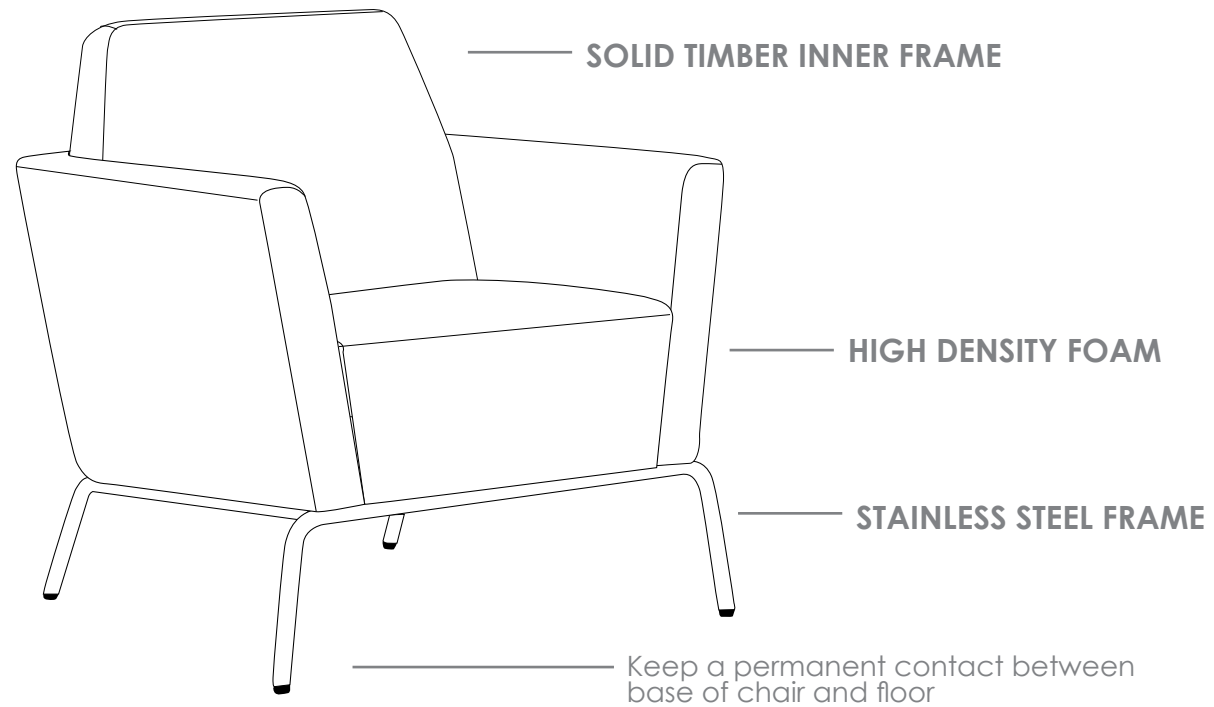


FEATURES

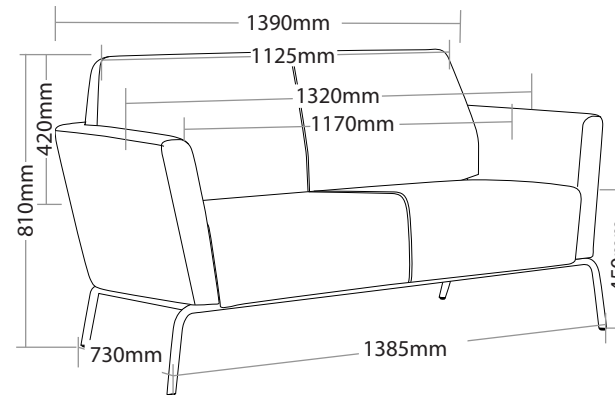
- » Optional 1 or 2 seater
- » High density foam
- » Stainless steel frame
- » Solid timber inner frame
- » Available in black PU only
- » Minor assembly required
- » Suitable for indoor use only
- » 5 year structural warranty
- » Weight limit for 1 seater is 130kg
- » Weight limit for 2 seater is 260kg

INDOOR USE ONLY

✗ Do not use as a step ladder



JADEN-1



JADEN-2

JADEN SOFT SEATING



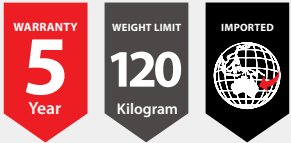
JADEN-1



JADEN-2

R8 SOFT SEATING

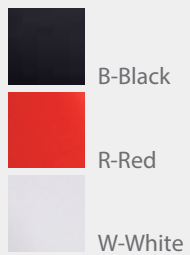
RUBY



FEATURES

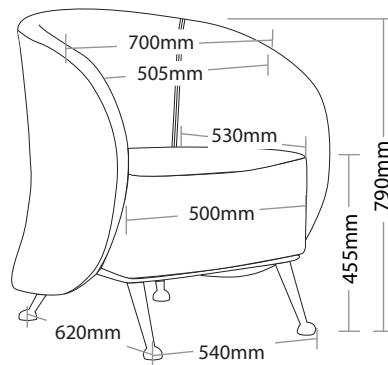
- » Steel frame
- » Stainless steel legs
- » Suitable for indoor use only
- » Available in black, red and white PU only
- » Minor assembly required
- » Suitable for indoor use only
- » 5 year warranty
- » Weight limit is 120kg

COLOUR



INDOOR USE ONLY

✘ Do not use as a step ladder



RUBY

RUBY SOFT SEATING



RUBY-B



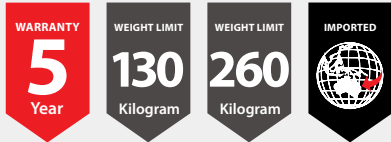
RUBY-R



RUBY-W

R8 SOFT SEATING

ROXA

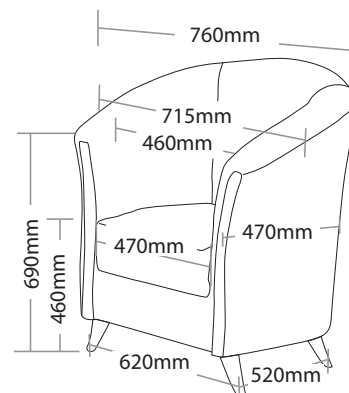
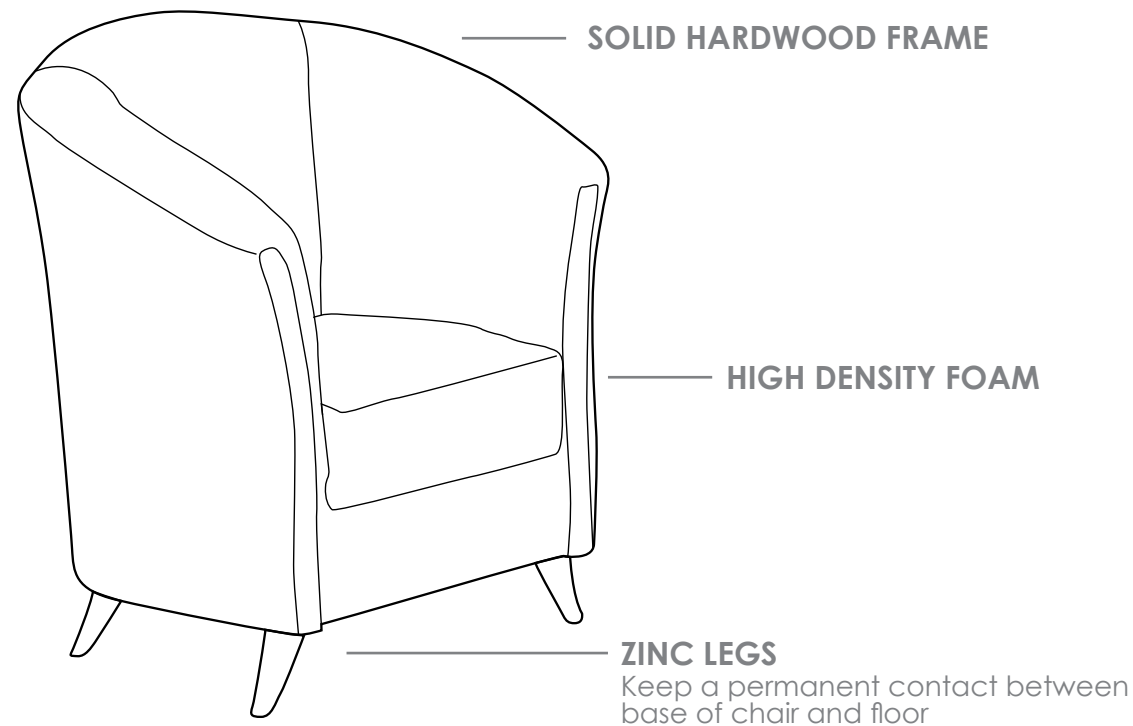


FEATURES

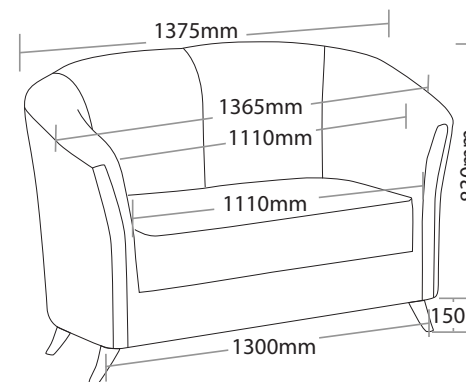
- » Optional 1 or 2 seater
- » High density foam
- » Solid hardwood frame
- » Zinc legs
- » Available in black PU only
- » Minor assembly required
- » Suitable for indoor use only
- » 5 year warranty
- » Weight limit for 1 seater is 130kg
- » Weight limit for 2 seater is 260kg

INDOOR USE ONLY

✗ Do not use as a step ladder



ROXA-1



ROXA-2

ROXA SOFT SEATING



ROXA-PU1



ROXA-PU2

R8 SOFT SEATING

PLAZA

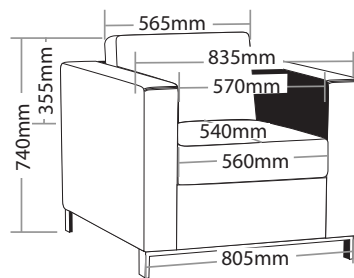
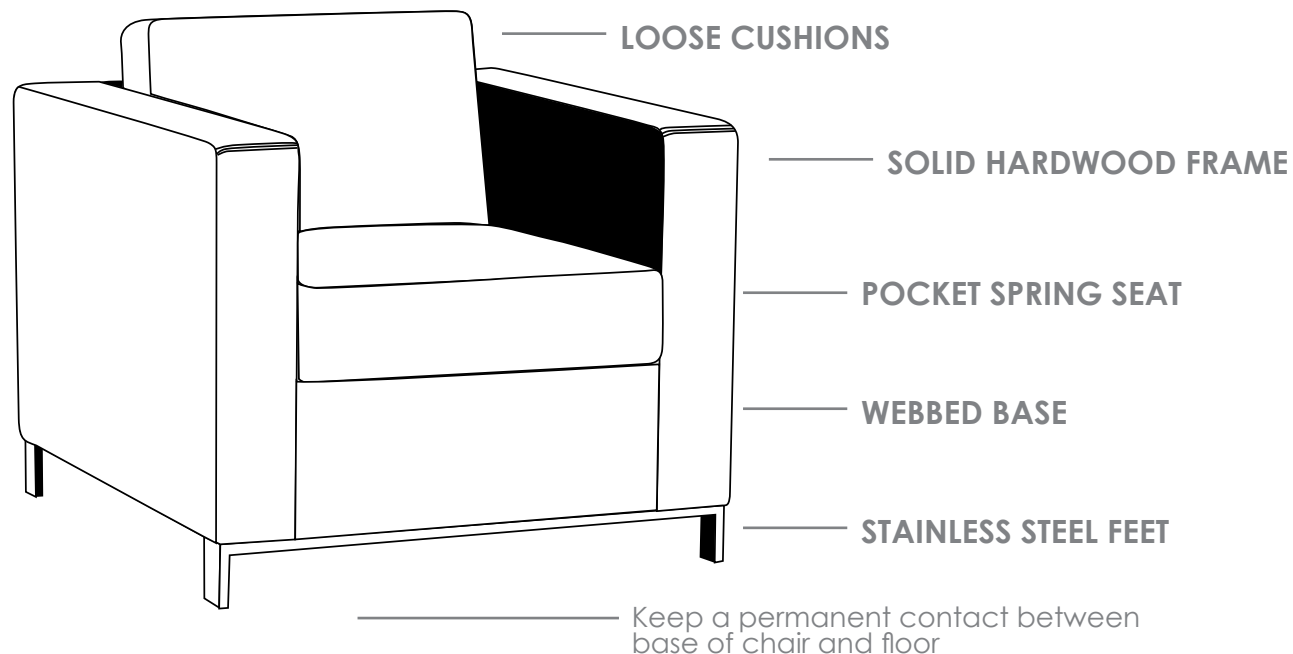


FEATURES

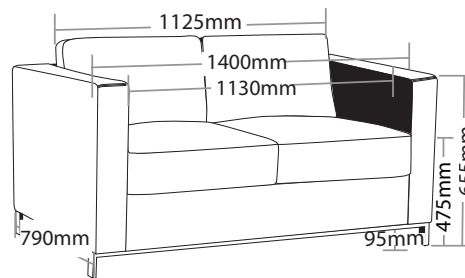
- » Optional 1, 2 or 3 seater
- » Pocket spring seat
- » Loose cushions upholstered both sides
- » Zig zag steel spring
- » Webbed base
- » Solid hardwood frame
- » Stainless steel feet
- » Available in black PU only
- » Minor assembly required
- » Suitable for indoor use only
- » 5 year warranty
- » Weight limit for 1 seater is 130kg
- » Weight limit for 2 seater is 260kg
- » Weight limit for 3 seater is 390kg

INDOOR USE ONLY

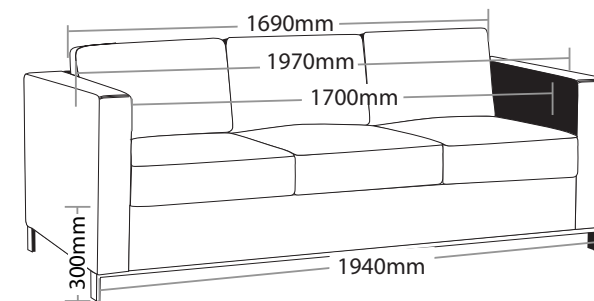
✗ Do not use as a step ladder



PL-1S



PL-2S



PL-3S

PLAZA SOFT SEATING



PL-1S



PL-2S



PL-3S

R9 INDUSTRIAL STOOLS

CAD

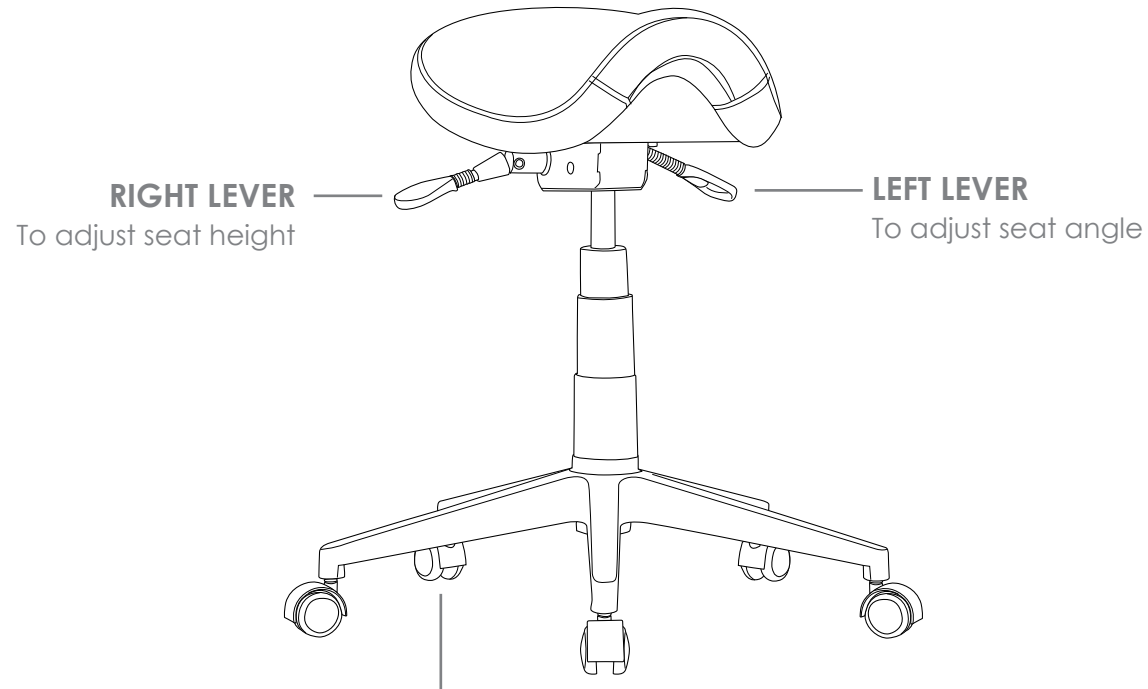


FEATURES

- » Adjustable seat height
- » Adjustable seat angle
- » Optional drafting kit
- » Optional glides or brake castors
- » Saddle seat
- » Nylon castors
- » 640mm black nylon base
- » Available in black PU only
- » Minor assembly required
- » Suitable for indoor use only
- » 5 year warranty
- » Weight limit is 120kg

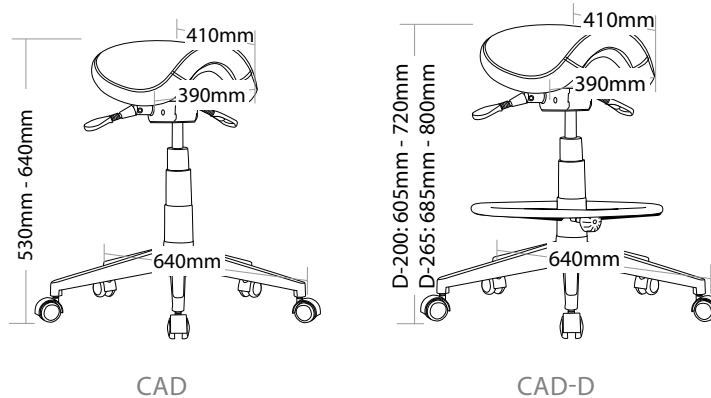
INDOOR USE ONLY

X Do not use as a step ladder



640MM BLACK NYLON 5 STAR BASE WITH CASTORS

Use soft tyred castors for tiles
Use hard tyred castors for carpet



CAD INDUSTRIAL STOOL



CAD



CAD-D



BACK VIEW

STAGE

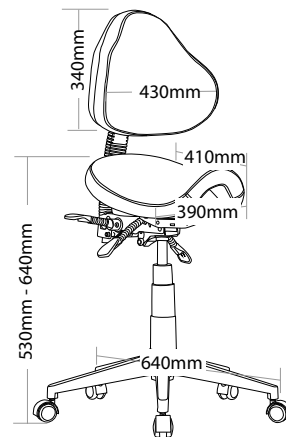
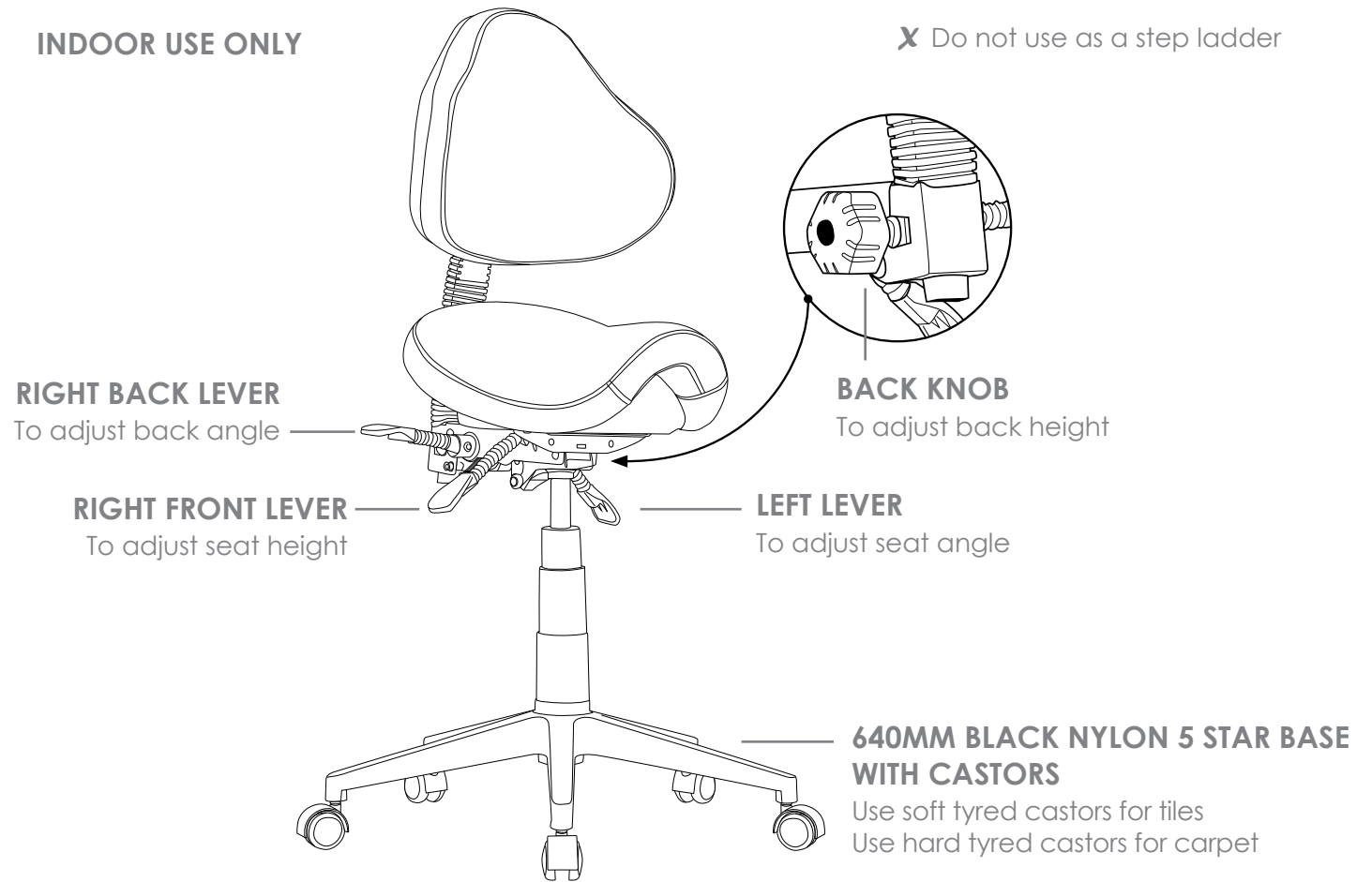


FEATURES

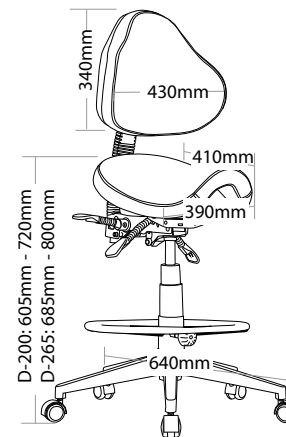
- » Adjustable seat height
- » Adjustable back height
- » Adjustable seat and back angle
- » Optional drafting kit
- » Optional glides or brake castors
- » Saddle seat
- » 640mm black nylon base
- » Available in black PU only
- » Minor assembly required
- » Suitable for indoor use only
- » 5 year warranty
- » Weight limit is 120kg

INDOOR USE ONLY

✗ Do not use as a step ladder



STAGE



STAGE-D

STAGE INDUSTRIAL STOOL



STAGE



STAGE-D



BACK VIEW

SIREN

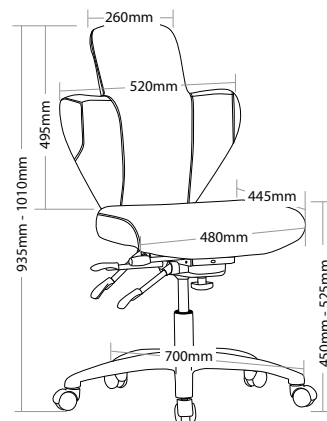
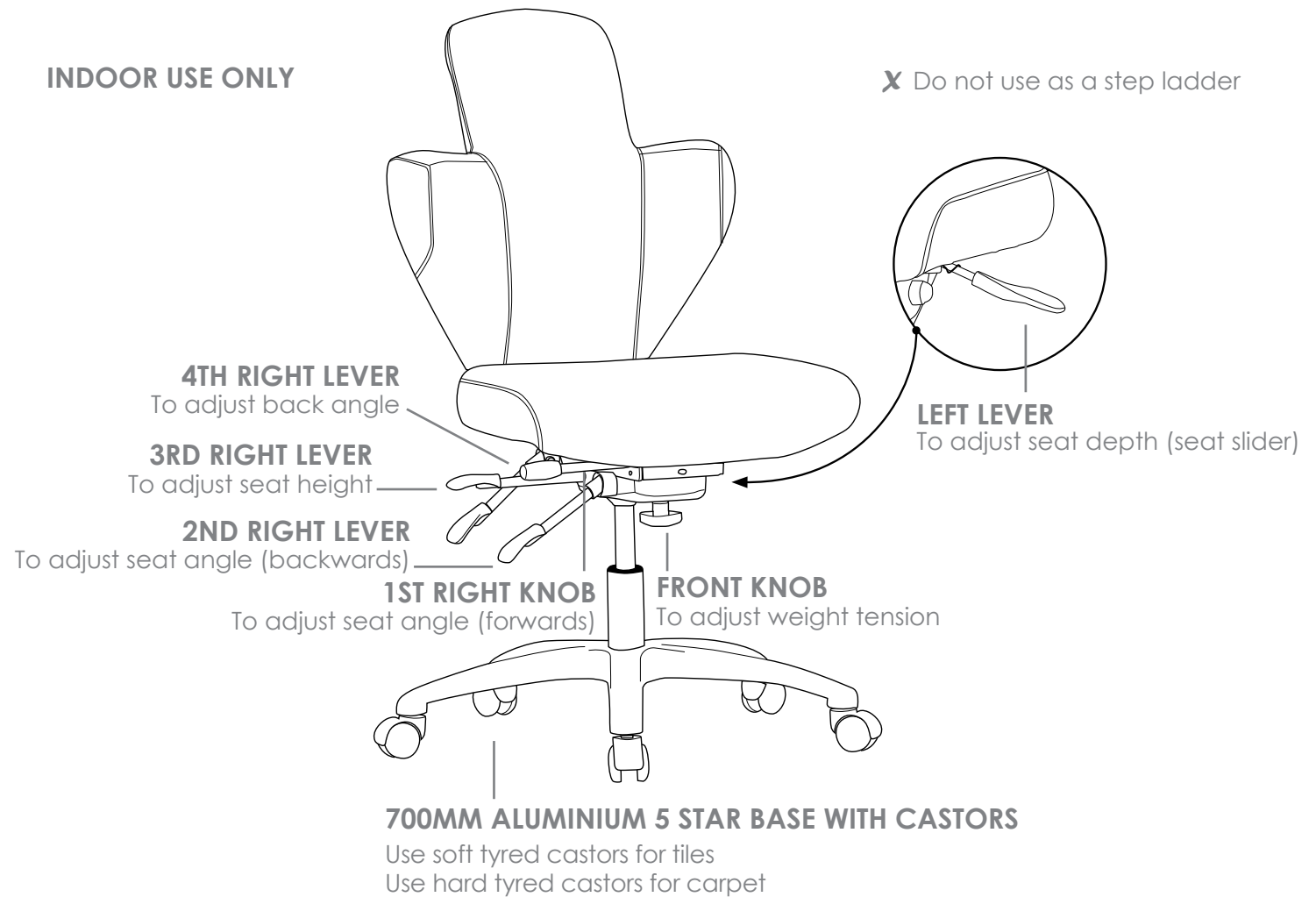


FEATURES

- » Adjustable seat height
- » Adjustable seat and back angle
- » Adjustable seat depth (seat slider)
- » Adjustable weight tension
- » 700mm aluminium base
- » Available in black PU only
- » Minor assembly required
- » Suitable for indoor use only
- » 5 year warranty
- » Weight limit is 120kg

INDOOR USE ONLY

X Do not use as a step ladder



SIREN

SIREN INDUSTRIAL STOOL



SIREN



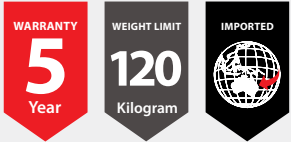
BACK VIEW



SIDE VIEW

R9 INDUSTRIAL STOOLS

STATE

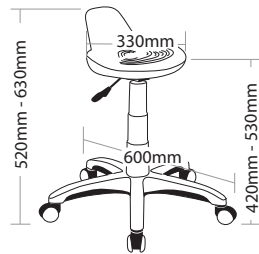
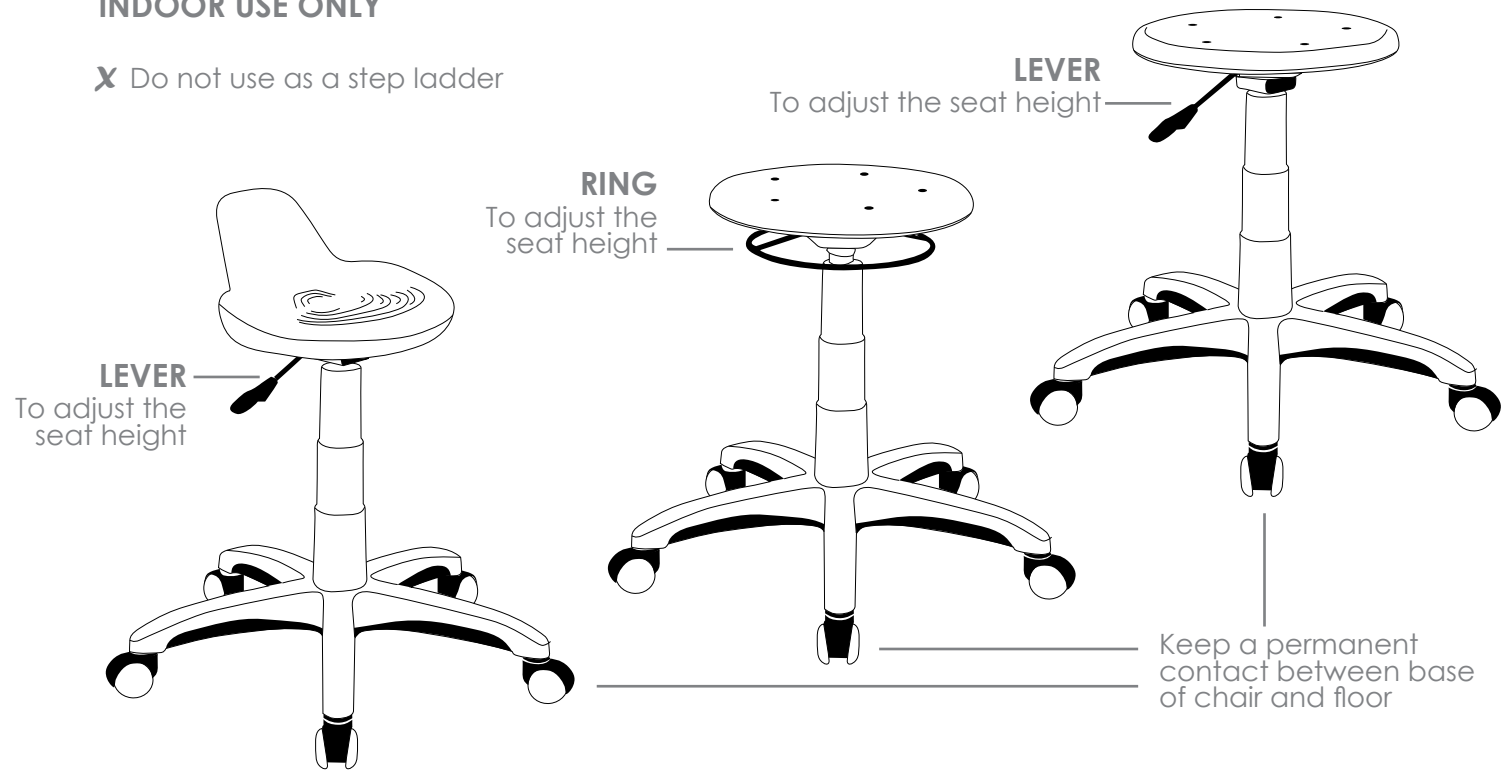


FEATURES

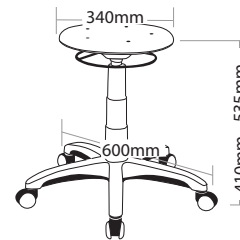
- » Adjustable seat height
- » Optional drafting kit
- » Optional glides or brake castors
- » 600mm black nylon base
- » Available in black only
- » Minor assembly required
- » Suitable for indoor use only
- » 5 year warranty
- » Weight limit is 120kg

INDOOR USE ONLY

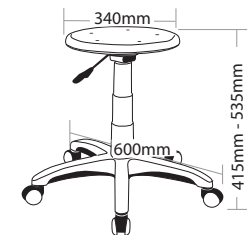
X Do not use as a step ladder



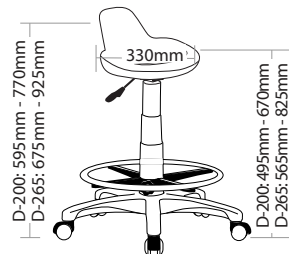
ST001



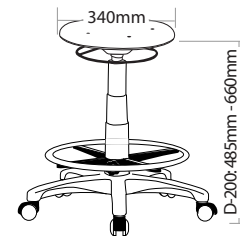
ST005



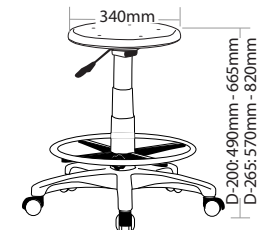
ST008



ST001D



ST005D



ST008D

STATE INDUSTRIAL STOOL



ST001



ST005



ST008



ST001D



ST005D



ST008D

STATE

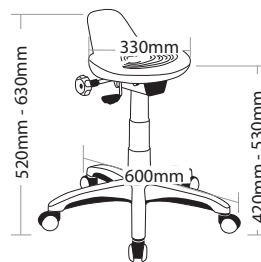
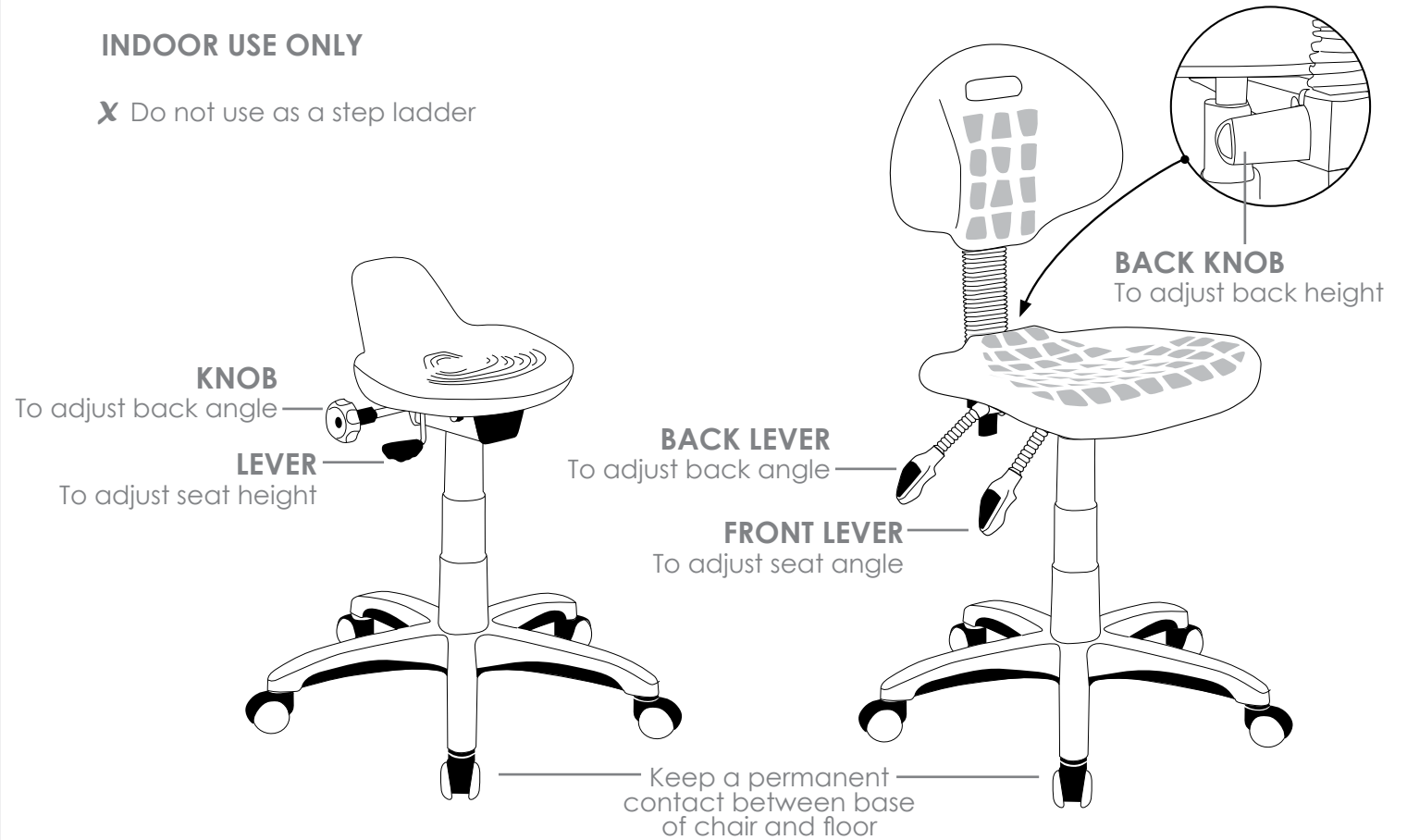


FEATURES

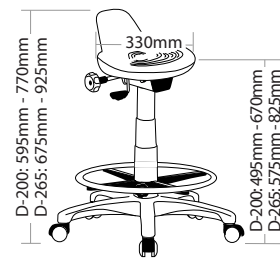
- » Adjustable seat height
- » Adjustable back height (ST007 only)
- » Adjustable seat angle (ST007 only)
- » Optional drafting kit
- » Optional glides or brake castors
- » 600mm black nylon base
- » Available in black only
- » Minor assembly required
- » Suitable for indoor use only
- » 5 year warranty
- » Weight limit is 120kg

INDOOR USE ONLY

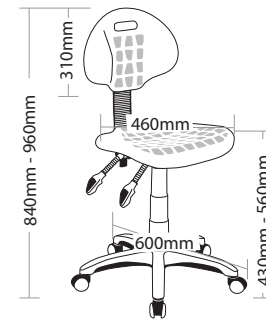
✘ Do not use as a step ladder



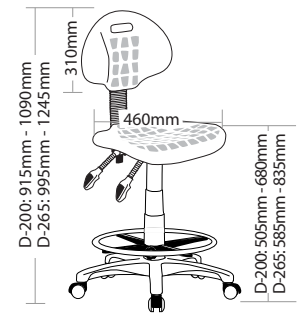
ST006



ST006D



ST007



ST007D

STATE INDUSTRIAL STOOL



ST006



ST006D



ST007



ST007D

R10 ADJUSTABLE TABLES

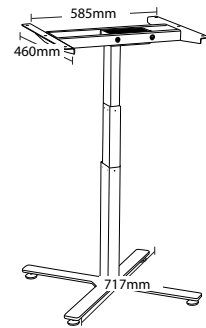
ERGO LIFT



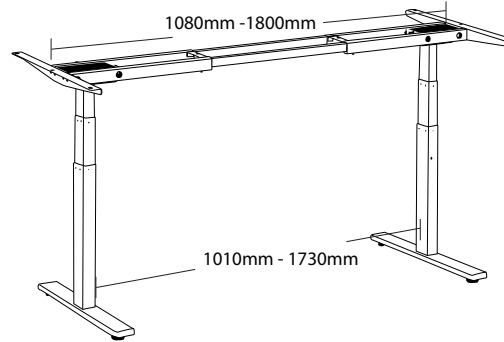
FEATURES

- » Adjustable height
- » Adjustable frame width
- » Adjustable feet
- » Optional with return (left or right)
- » Optional 120 degree angle
- » Optional single leg
- » Heavy duty frame
- » Easy to use also has an anti collision sensor
- » White powder coating only
- » AFRDI approved
- » Minor assembly required
- » Suitable for indoor use only
- » 7 year warranty
- » Weight limit is 160kg

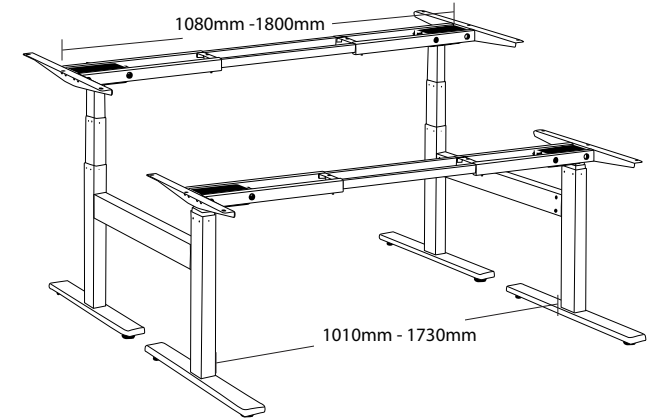
INSTRUCTIONS BOOKLET COMES WITH PACKAGE



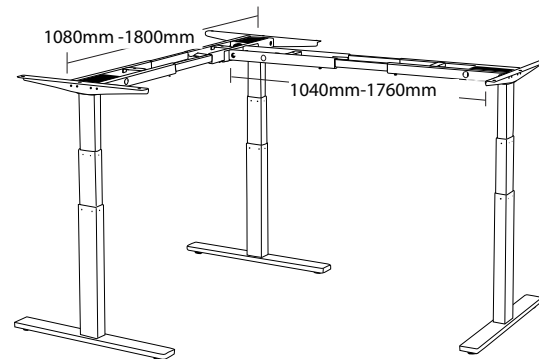
EL-TABLE



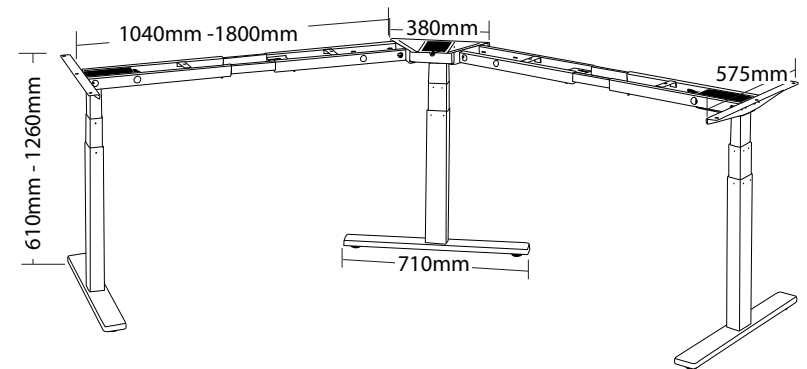
EL-DESK



EL-DD



EL-DR



EL-D120

ERGO LIFT ADJUSTABLE TABLES



EL-C2



EL-C3



EL-SWITCH



EL-TABLE



EL-DESK



EL-D120



EL-DRL



EL-DRR



EL-DD

Wines Office Furniture Catalogue

W: www.winesofficefurniture.com.au | **E:** sales@winesofficefurniture.com.au

Address : 31 Eastwood Street, Ballarat, VIC 3350 | **Ph:** 03 5333 5977

